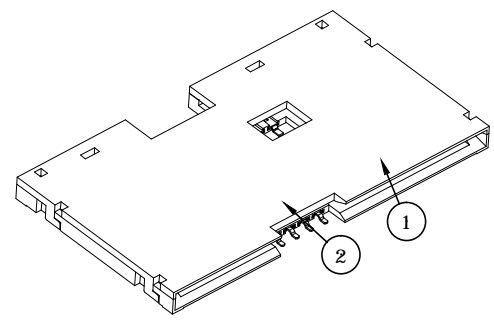
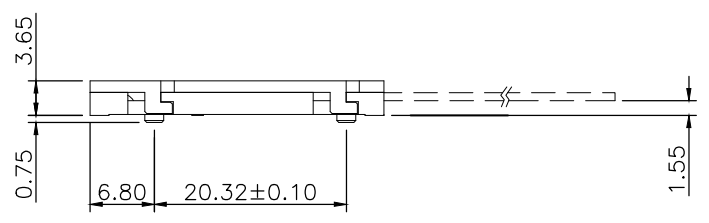
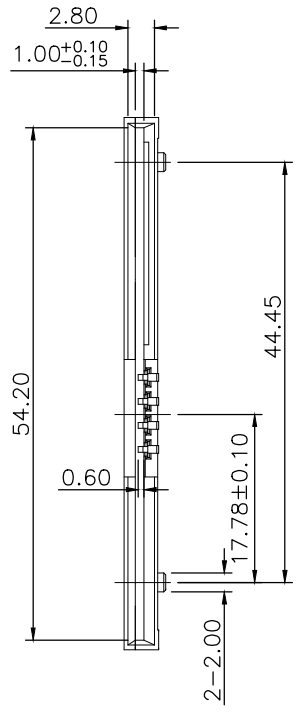
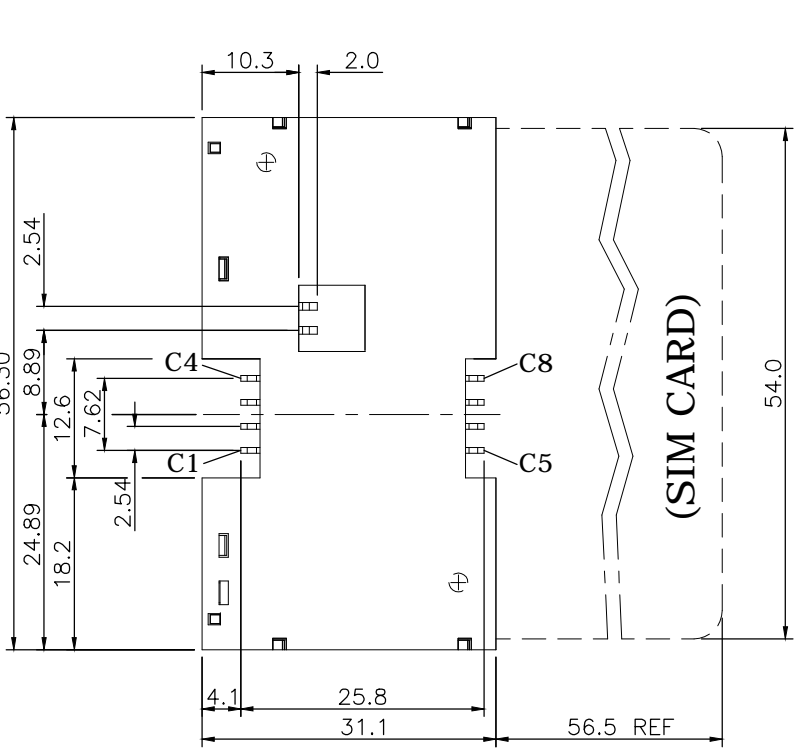


REV.	DESCRIPTION	DRAWN	DATE
1	INITIAL RELEASE	FROS	2015/06/05



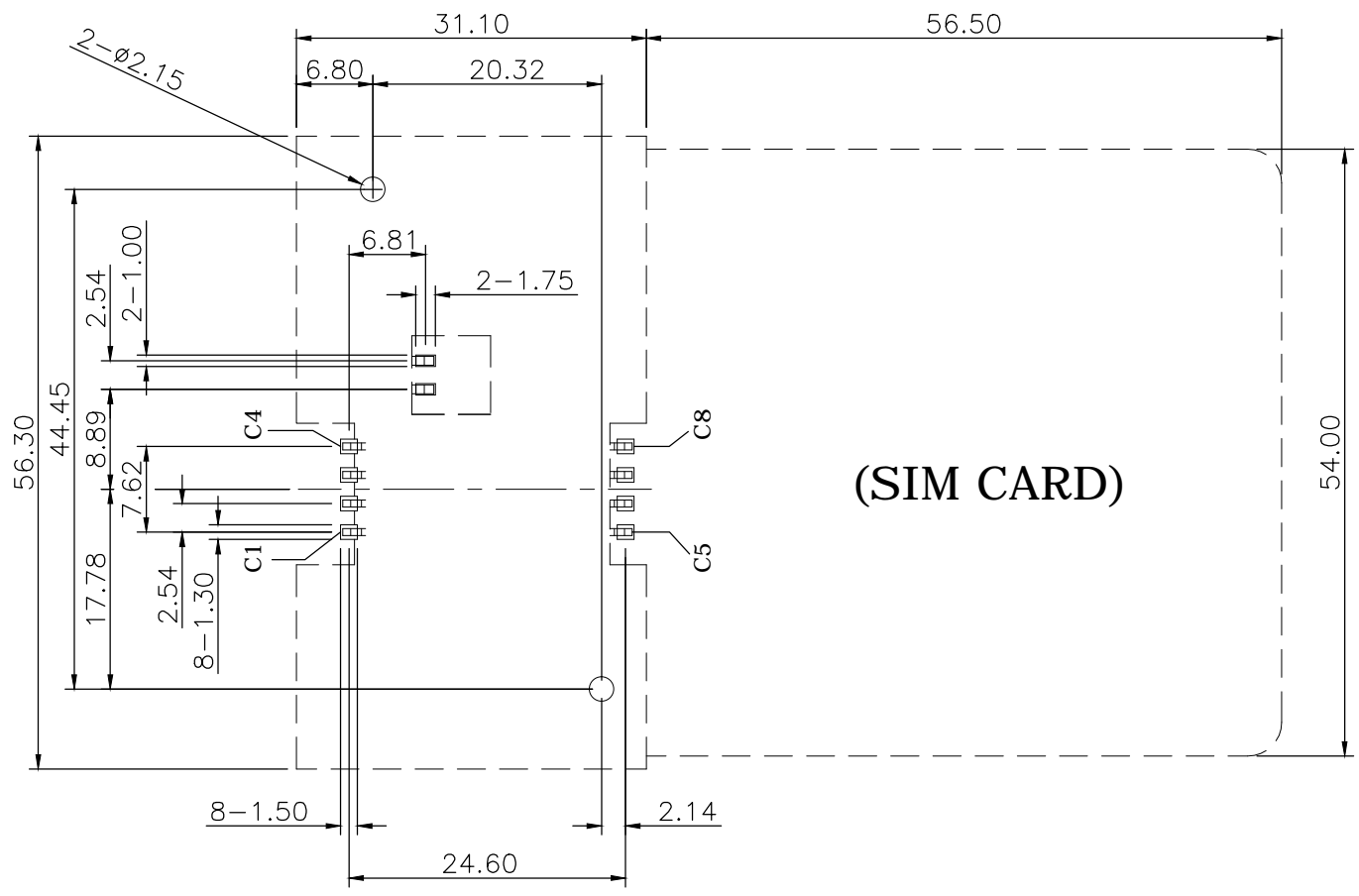
SPECIFICATION:

1. ELECTRICAL
 - 1.1 Rating: 30V 1A max.
 - 1.2 Contact Resistance: 100mΩ max.
 - 1.3 Insulation Resistance: 1000MΩ
 - 1.4 Dielectric Withstanding Voltage: 500VAC
2. MECHANICAL
 - 2.1 Insertion Depth: 31.1mm
 - 2.2 Card Thickness: 0.7mm to 0.8mm
3. ENVIRONMENTAL
 - 3.1 Operating temperature range: -40°C~+85°C
 - 3.2 Storage temperature range: -40°C~+85°C
4. SOLDER ABILITY
 - 4.1 Recommended IR Reflow (Wave Soldering) Temperature: 260°C


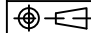
2	CONTACT	Phosphor Bronze, 3u" Au on contact area, 100u" Sn on tail area, under plated 30-50u" Ni over all	
1	INSULATOR	LCP, UL94V-0, Black	
NO.	PART NAME	DESCRIPTION	
UNLESS OTHERWISE SPECIFIED TOLERANCE			
UNIT:	DECIMAL	LINEAR	ANGLES
mm	X.	±0.50	±5°
	X.X	±0.25	±3°
	X.XX	±0.12	±1°
WWW.ATTEND.COM.TW			
DRAWN	Fros	2015/06/05	DRAWN NAME:
CHECKED	Zola	2015/06/05	Smart Card Socket, SMD, Normal Open
APPROVED	Ken	2015/06/05	PRODUCT NO. 116G-SB00
SCALE 1.25	SHEET 1/2	SIZE A4	FILE NAME 116G-SB00_B_1



REV.	DESCRIPTION	DRAWN	DATE
1	INITIAL RELEASE	FROS	2015/06/05



RECOMMENDED PCB LAYOUT
TOLERANCE: ± 0.05

UNLESS OTHERWISE SPECIFIED TOLERANCE				 WWW.ATTEND.COM.TW	
UNIT:	DECIMAL	LINEAR	ANGLES		
mm	X.	±0.50	±5°		
	X.X	±0.25	±3°		
	X.XX	±0.12	±1°		
DRAWN	Fros	2015/06/05	DRAWN NAME:		
CHECKED	Zola	2015/06/05	Smart Card Socket, SMD, Normal Open		
APPROVED	Ken	2015/06/05	PRODUCT NO.	116G-SB00	
	SCALE	SHEET	SIZE	FILE NAME	
	1.5	2/2	A4	116G-SB00_B_1	