

The power behind your lights



Model: JLV-12360K

Size: 215*114*49mm



Brief Information



360W

Power Supply (C.V.)

Model JLV-12360K / JLV-24360K

Input 100~250V AC

Output 12VDC 30A 360W / 24VDC 15A 360W

Product Features

- Compact size, easy for installation
- High transfer efficiency
- Wide input range (120V/230V)
- Endurable & stable quality
- 100% full loading, 100% burn-in tested
- Overload/short circuit protection

MAIN ELECTRICAL DATA

AC Input

| | |
|-------------------|------------------------------------|
| Input Voltage | 100~250V |
| Input Frequency | 50/60Hz |
| Efficiency (Typ.) | 83% |
| Input Current | 230V: 3.2A max. 110V: 6.4A max. |
| Inrush Current | 40A |
| Leakage Current | 3mA/230VAC |

DC Output

| | | |
|-----------------------|---------------|---------------|
| Output Voltage | 12V | 24V |
| Rated Current | 30A | 15A |
| Rated Power | 360W | 360W |
| Ripple & Noise (Max.) | <120mVp-p | <120mVp-p |
| Setup, Rise Time | 1500ms/230VAC | 1500ms/230VAC |
| Line Regulation | 1% | 1% |
| Load Regulation | 1% | 1% |

Service Environment

| | |
|------------------|------------|
| Working Temp. | -30°C~60°C |
| Working Humidity | 20~95%RH |
| Storage Temp. | -40°C~80°C |
| Storage Humidity | 10~95%RH |

Protection

| | |
|---------------|--|
| Overload | Yes, Cut-off mode Output shuts down if over-loaded |
| Short Circuit | Yes, output shut down, recovers automatically after fault condition is removed |

Safety

| | |
|----------------------|---|
| Safety Standard | EN 61347-2-13 |
| Withstand Voltage | I/P-O/P:1500VAC/1min/<5mA |
| Isolation Resistance | I/P-O/P: >100M Ohms / 500VDC /25°C / 70%RH |

Packaging Information

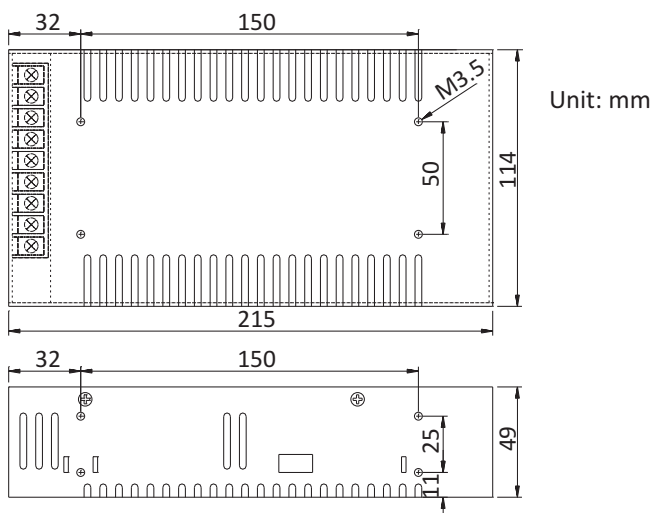
| | |
|---------------------|--------------|
| Product Dimension | 215*114*49mm |
| Products Net Weight | 970G |
| PCS/Carton(QTY) | 40 PCS |
| Master Carton Size | 48*31*26.5cm |
| G. Weight/ Carton | 22KG |

Installation Tips:

- Please identify the power supply's input and output before installation.
- Ensure correct output + & - wire connection.
Power on after wire connection is done.
- To avoid voltage drop and loading capacity wasting on the output extension wire, please install the power supply to the loading as near as possible, if must use long extension wires, thicker wires and less loading wattage is required.
- The power supply to be installed at good ventilation and cooling environment.

The power behind your lights

Physical Drawing



Brief Information

Powermax™
Technology Inside

360W

Power Supply (C.V.)

Model JLV-12360K / JLV-24360K

Input 100~250V AC

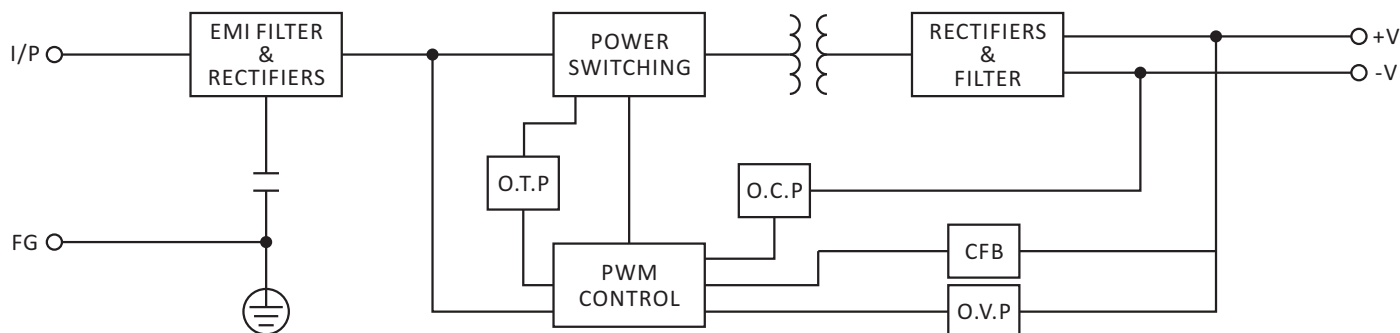
Output 12VDC 30A 360W / 24VDC 12.5A 360W

Input & Output:

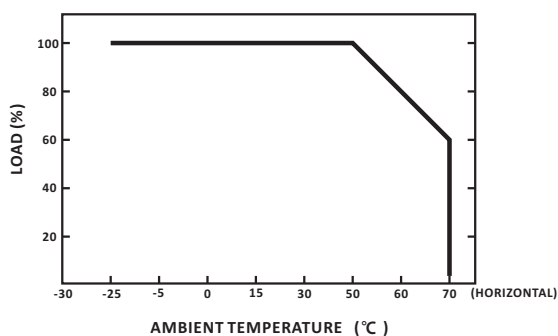
9500-9P Screw Terminals With Cover
inflamming retarding

Housing: Aluminium

Block Diagram



Derating Curve



Static Characteristics

