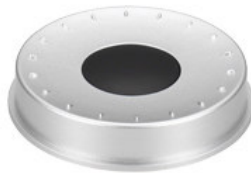




Electronic Components Business Unit
Make Your Life Better

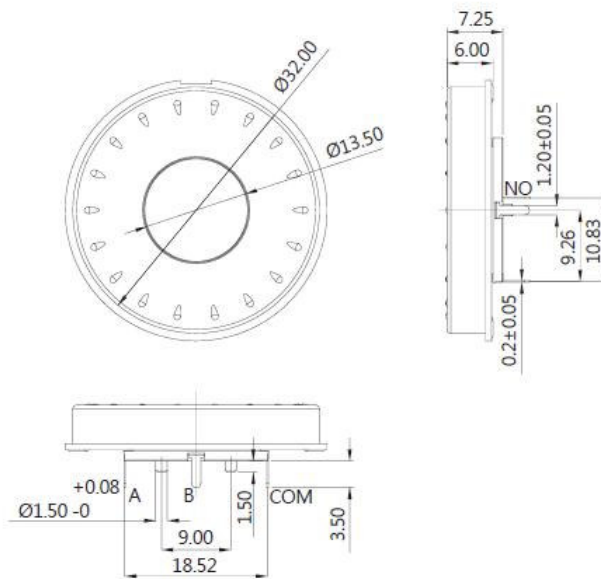
KC Series(Rotary Switches/ZIP SWITCH)



RATING:1mA 10VDC

Dimension :

Unless otherwise specified,a tolerance of ± 0.4 mm applies to all dimensions.



Specifications :

Operating force.....Push - Max.300 gf Operation / mim

Operating frequency(electrical).....Push-120 Operation / mim

Contact resistance.....300m Ω (max)

Service life(electrical).....Push-Min.1,000,000 Operations

Application :

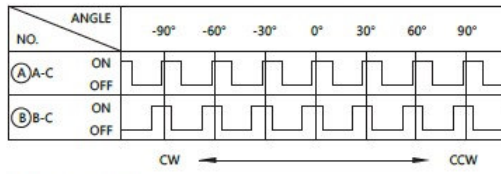
Remote control,Tablet,Keyboard,Audio,Mp3,NB,Mobile phone

Contact Configuration :

Push



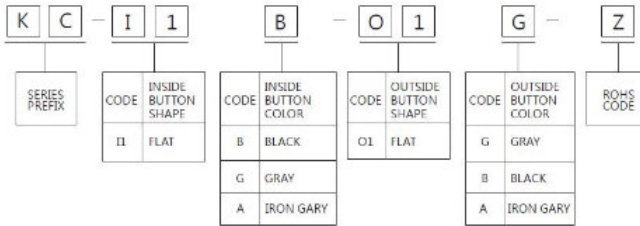
Rotation



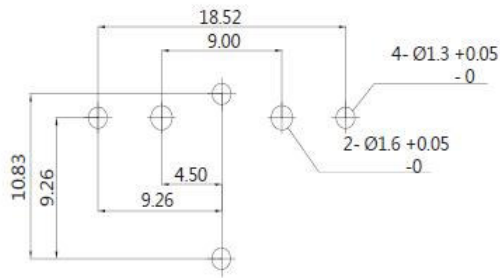
Numbers of detent : 24

Pulse/Rotation : 12 pulse/360°

Ordering Information :



Mounting Holes :



Memo:

Our switches are marked "ZIP" or "ZIPPY".