



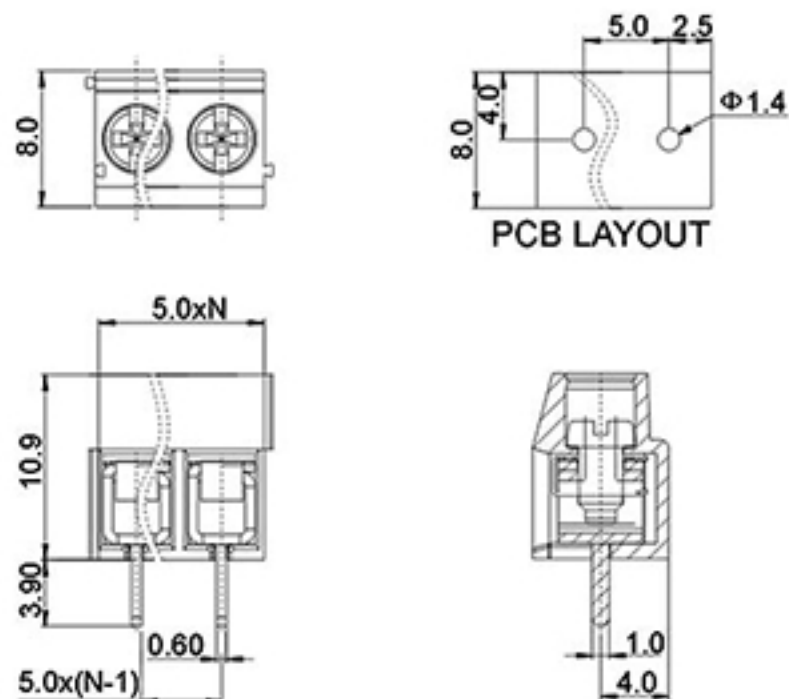
<b>APPROVAL</b>		
<b>Electrical</b>	<b>UL</b>	<b>IEC</b>
Standard	300V	250V
Rated voltage	10A	18A
Rated current	26-14AWG	0.5-2.5mm <sup>2</sup>
Wire range	AC2000V/1Min	
Withstanding voltage		

<b>Mechanical</b>		
torque	0.4Nm(3.5Lb-In)	
Ambient temperature	-40℃~+105℃	
Strip length	6-7mm	
<b>Dimensions</b>		
pitch	5.0mm(.197")	
Poles	2P,3P-24P	

<b>Material</b>		
Housing	PA66,UL94V-0	
Screws	M2.5,steel, Cr <sup>3+</sup> Znplated	
Pin header	Brass,Tin plated	
Wire guard	Stainless steel	

### HOW TO ORDER :

<input type="text"/>	-	<input type="text"/> <input type="text"/>	<b>P</b>	-	<input type="text"/>	-	<input type="text"/> <input type="text"/> <input type="text"/>	<input type="text"/> <input type="text"/> <input type="text"/>
					<b>1</b>			Customer Request
Series number		No. of pole						
					1 Single pitch			
					2 Double pitch			
							<b>Color</b>	
							1 Grey	4 Green
							2 Blue	5 Orange
							3 Black	6 Red
								7 Tris Passer
								8 Yellow
								9 White



	 <b>DEGSON ELECTRONICS CO., LTD.</b>
	
<b>NAME</b>	<b>DG126-5.0</b>