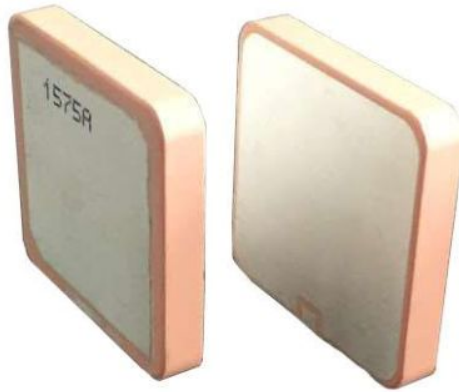
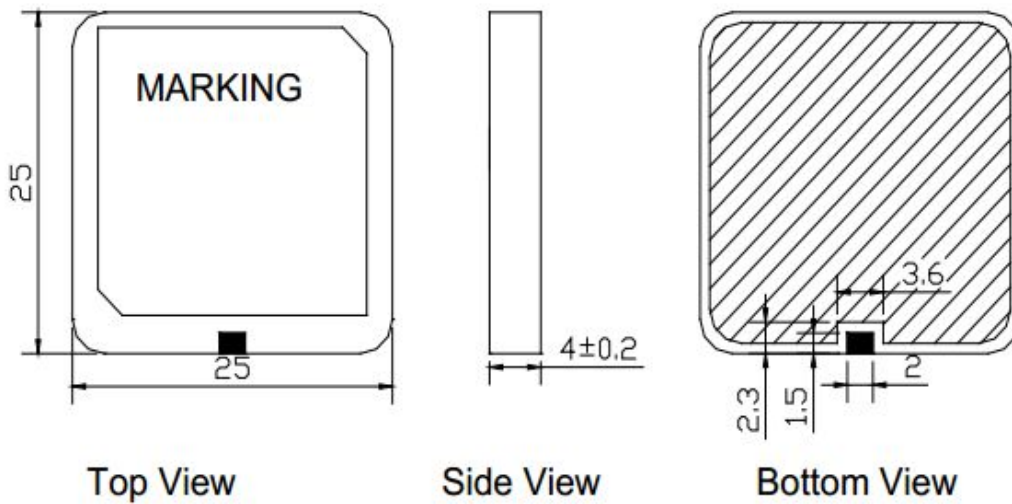




GPS Ceramic Patch Antenna



1. Mechanical Drawing



 GND
 I/O PORT

Tolerance: ± 0.3
Unit: mm

2. Electrical Characteristics

Fom1

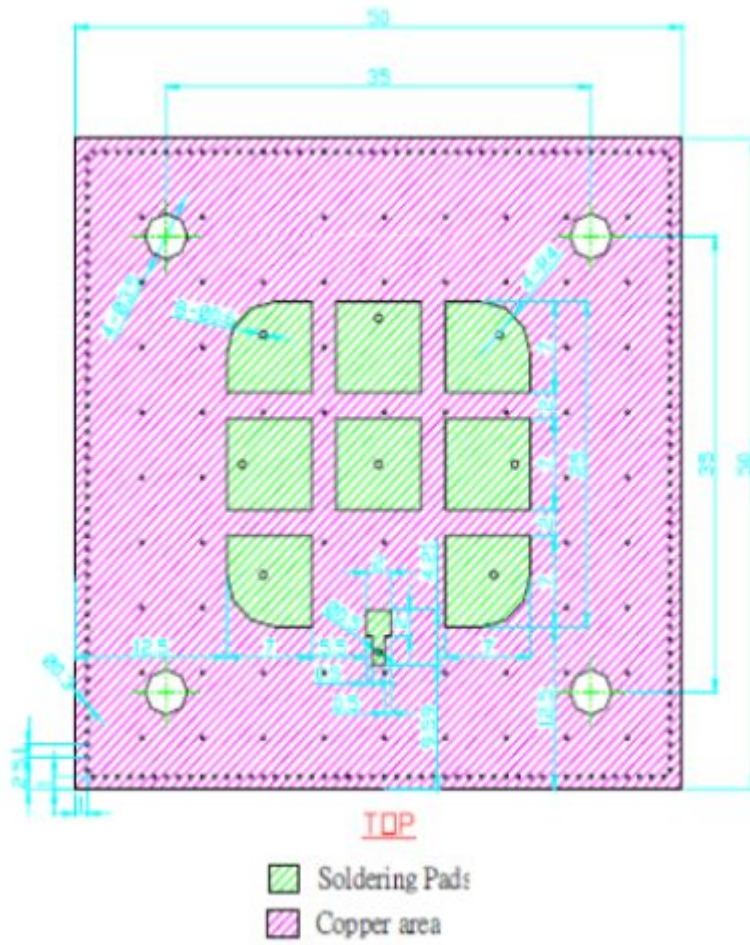
No.	Item	Specifications
1	Frequency (MHz)	1575.42±3 MHz
2	Return Loss @ F0	≥15 dB
3	VSWR @ F0	≤1.5
4	Bandwidth @ 10dB Return loss	≥14 MHz
5	Gain@ Zenith	3.0 dBi typ.
6	Gain @ 10° elevation	2.5 dBi typ
7	Axial Ratio @ F0	≤5.0 dB
8	Ground plane	50*50 (PCB) mm
9	Polarization	RHCP
10	Impedance	50 Ω

3. Environmental Characteristics

Fom2

No.	Item	Specification
1	Environmental Operating Temperature	-40 ~ +85°C
2	Frequency Temperature Coefficient	±20 ppm/°C
3	Environmentally Friendly	ROHS Compliant

4. Test Fixture



6. Recommended solder

