

LED Driver

LP1040-xx Series Switch-Mode LED Driver	
Total Power	40 Watts
Input Voltages	90 ~ 264VAC, 277VAC
Number of Outputs	One

Product Specifications

ANZ#: Z094K, September 6, 2011

SPECIAL FEATURES

- UL1310, Class 2 and UL48 compliant
- Single output, ranged from 10V up to 36VDC
- IP66 compliant
- Suitable for dry and damp locations
- Designed for outdoor or indoor applications
- Suitable in standard electrical junction boxes
- ELV (trailing-edge) dimmable - Optional
- Active PFC reduces power consumption

ENVIRONMENTAL

Operating temperature: -30 to 50 °C
(De-rating : 2% per °C from 50~70°C)
Storage temperature: -40 to 85 °C
Humidity (Non-Condensing): 5% to 95%
Cooling: Convection
Vibration Frequency: 5 to 50 Hz
MTBF: >100,000 Hours at full load and 25°C ambient conditions (MIL-217F)
EMC : Compliant to 47CFR, Part 2, Part15 and CispR PUB, 22 Class B
Acoustic Noise: Less than 24db (20~20K Hz)

ELECTRICAL SPECIFICATIONS

Input range 90 ~ 264 VAC, 277VAC
Frequency 47 to 63 Hz
Power Factor > 0.90 at full load, 115VAC
Crest Factor 1.5 max.
Inrush current 30.0 Amps maximum at 230VAC, cold start, 25° C
Input current 0.50 Amps maximum at 115VAC
Efficiency 85% typical at maximum load
EMI filtering 47CFR, Part 2, Part 15 and CispR PUB, 22 Class B
Maximum power 40W
Current Accuracy ±1% (when applicable)
Load regulation ±3%
Leakage Current N/A
Hold up time 300uA typ. half cycle minimum at 120 VAC and 80% of rated load
Protection Over-voltage, Over current and Short circuit protection: Auto-recovery

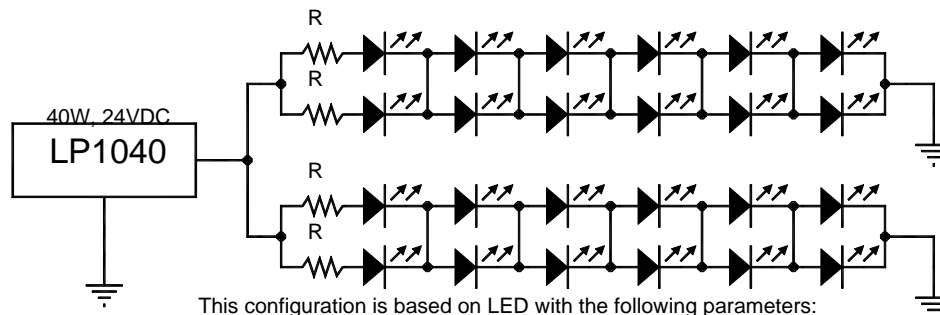
SAFETY

UL UL1310, Class 2 and UL879 recognized
cUL UL1310, Class 2 and UL879 recognized
CE Certified

Model Number	Constant Voltage Mode			Model Number	Constant Current Mode		
	V (DC)	A (mA)	Watts		V (DC)	mA (max.)	Watts
LP1040-48	48, ±5%	100 - 830	40	LP1040-48-Cxxxx	24~52	830, ±5%	40
LP1040-36	36, ±5%	111 - 1100	40	LP1040-36-Cxxxx	18~ 36	1110, ±5%	40
LP1040-24	24, ±5%	167 - 1670	40	LP1040-24-Cxxxx	12~ 24	1670, ±5%	40
LP1040-22	22, ±5%	182 - 1820	40	LP1040-22-Cxxxx	12 ~ 22	1820, ±5%	40
LP1040-18	18, ±5%	222 - 2220	40	LP1040-18-Cxxxx	9 ~ 18	2200, ±5%	40
LP1040-15	15, ±5%	268 - 2680	40	LP1040-15-Cxxxx	9 ~ 15	2680, ±5%	40
LP1040-13	13, ±5%	308 - 3080	40	LP1040-13-Cxxxx	7 ~ 13	3080, ±5%	40
LP1040-12	12, ±5%	333 - 3330	40	LP1040-12-Cxxxx	7 ~ 12	3330, ±5%	40
LP1040-10	10, ±5%	400 - 4000	40	LP1040-10-Cxxxx	6 ~ 10	4000, ±5%	40
LP1040-09	9, ±5%	445 - 4450	40	LP1040-09-Cxxxx	6 ~ 9	4450, ±5%	40

Note: The output current of Constant Current models are adjustable at factory from 50% ~ 100%.

RECOMMEND APPLICATION SCHEMATICS



This configuration is based on LED with the following parameters:
V : 3.0V ~ 3.5V I : 300mA ~ 350mA A. I : 300mA ~ 350mA
Recommended value for R is 20 ohm, 3W

MECHANICAL DRAWING

Model Information – Single DC output

LP1040-XX

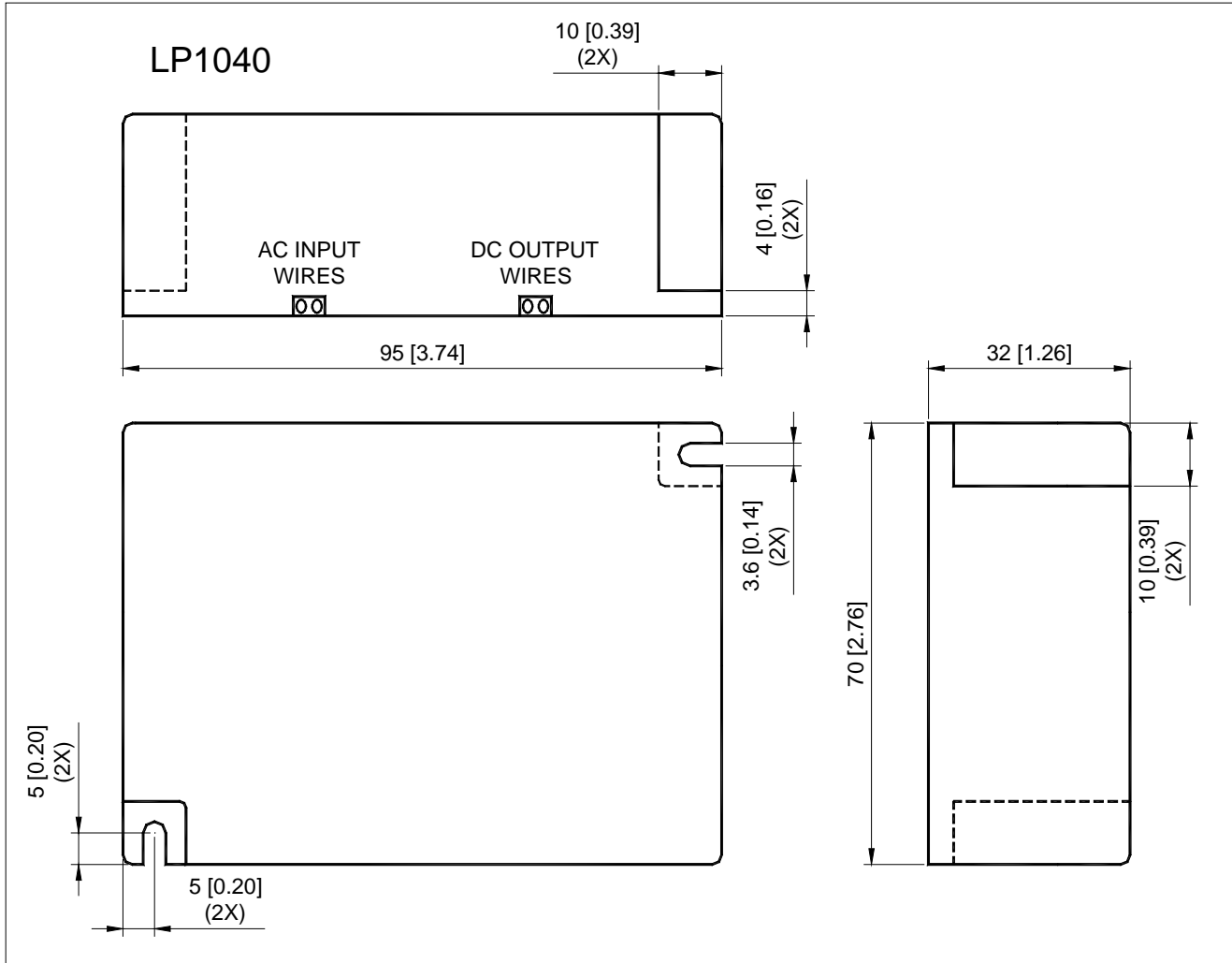
XX – Voltage rating, 10, 08, 09, 10 24.

AC input cable

AWG #18, two conductors UL PLTC type or equiv.

DC output cable

AWG #18, two conductors UL PLTC type or equiv.



mm [inch]