

# 汽车开关

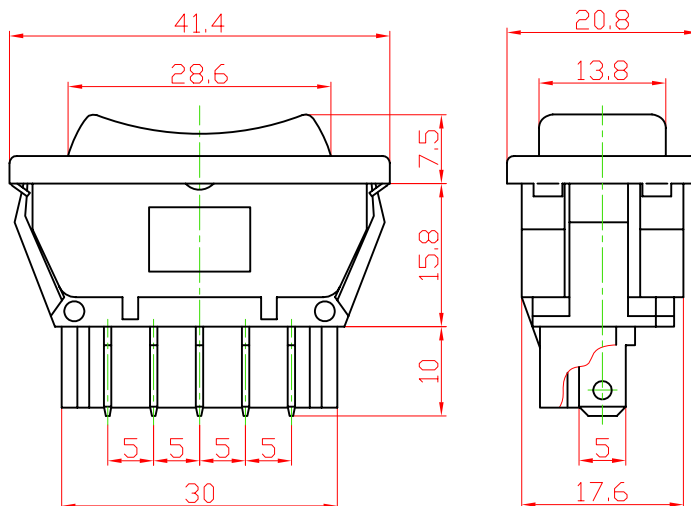
## Automobile Switch

型号(TYPE): ASW-01

### 技术特性 (Specification)

- 规格 (Rating): 20A 12V DC; 10A 30VDC
- 接触电阻 (Contact R):  $50\text{m}\Omega$  max
- 绝缘电阻 (Insulation R): 500V DC  $100\text{M}\Omega$  min
- 耐电压 (Dielectric Strength): 1 Minute 1500V AC
- 操作温度 (Operating Temperature):  $-25^{\circ}\text{C} \sim +85^{\circ}\text{C}$
- 电气寿命 (Electrical Life): 10,000 Cycles

### 外型图 (Outline Drawing)



### 安装尺寸 (Mounting)

### 电路图 (Circuitry)

