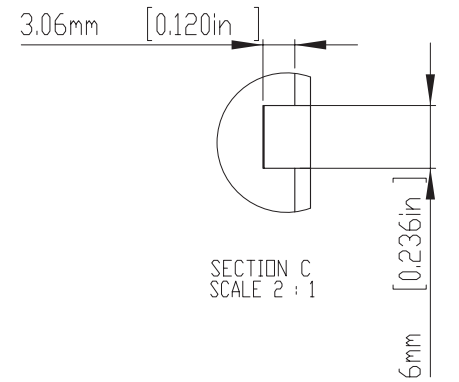
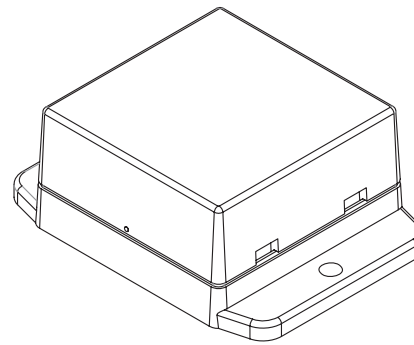
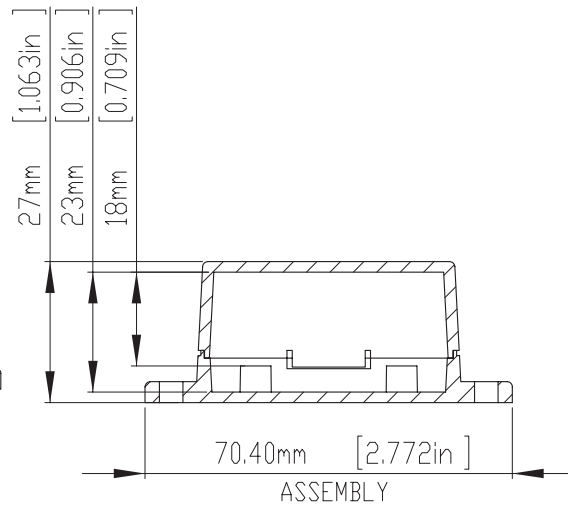
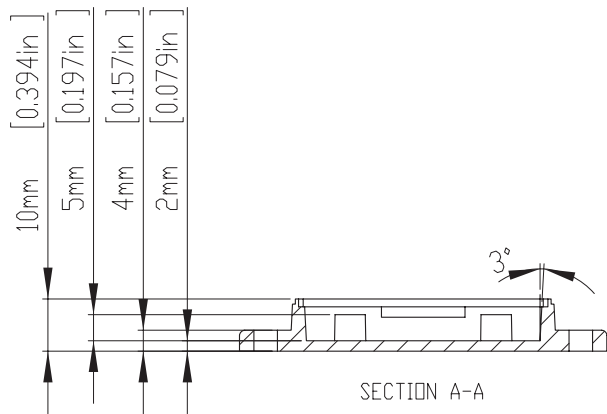
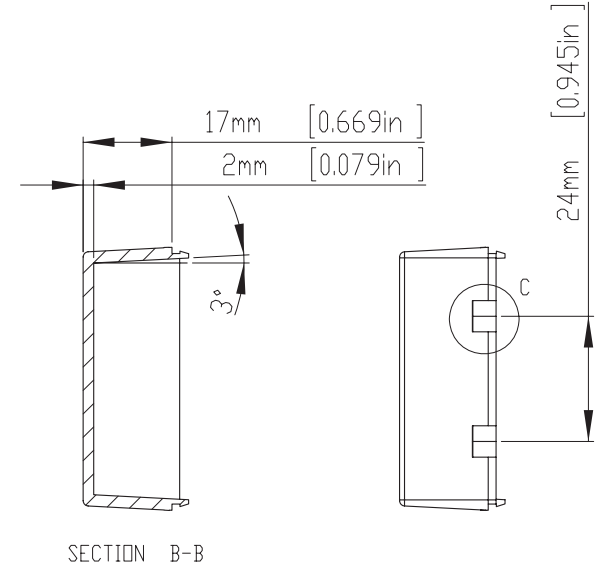
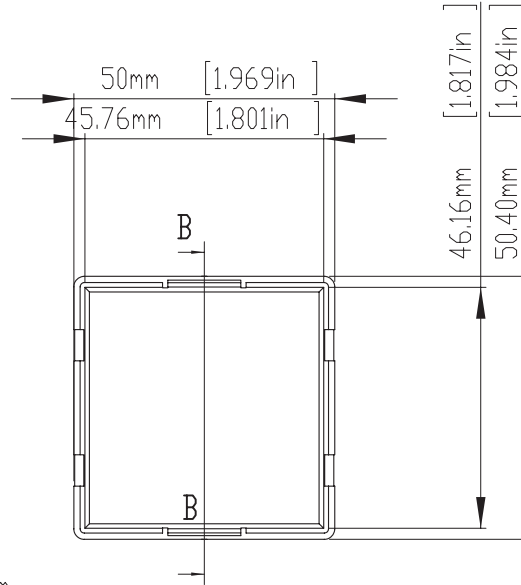


HOLES(4) ARE DESIGNED FOR M2.6X6mm SELF-TAPPING SCREWS USE.  
 WALL MOUNTING HOLES(2) X DIA.4.5mm FOR PAN HEAD(M4) TAPPING SCREWS USE.



According to ISO 2768-m	
Measuring DIM=L	Tolerances
0.5<L≤3.0mm	±0.1mm
3.0<L≤6.0 mm	±0.1mm
6.0<L≤30.0 mm	±0.2mm
30.0<L≤120.0 mm	±0.3mm
120.0<L≤400.0 mm	±0.5mm
400.0<L≤1000.0 mm	±0.8mm

宣又實業有限公司  
GAINTA INDUSTRIES LTD.

繪圖 DRA'D BY  
JACKY

日期 DATE  
2013/10/01

材質 MATE.  
ABS

圖名TITLE:  
NUB505027

圖號DWG NO:

版次REVISID:  
A

ITEM	DESCRIPTION	MATERIAL	COLOR	PANTONE COLOR CODE	CLOSE TO RAL CODE
1	NUB505027BK	ABS<UL94-HB>	BLACK	PANTONE BLACK U	RAL 9005
2	NUB505027WH	ABS<UL94-HB>	WHITE	PANTONE 420C	RAL 9002
3	NUB505027OR	ABS<UL94-HB>	ORANGE	PANTONE 165C	RAL 2004
4	NUB505027RD	ABS<UL94-HB>	RED	PANTONE 186C	RAL 3027

宣又實業有限公司  
GAINTA INDUSTRIES LTD.

繪圖 DRA'D BY  
JACKY

日期 DATE  
2013/10/01

材質 MATE.  
ABS

圖名TITLE:  
NUB505027

圖號DWG NO:

版次REVISID:

A