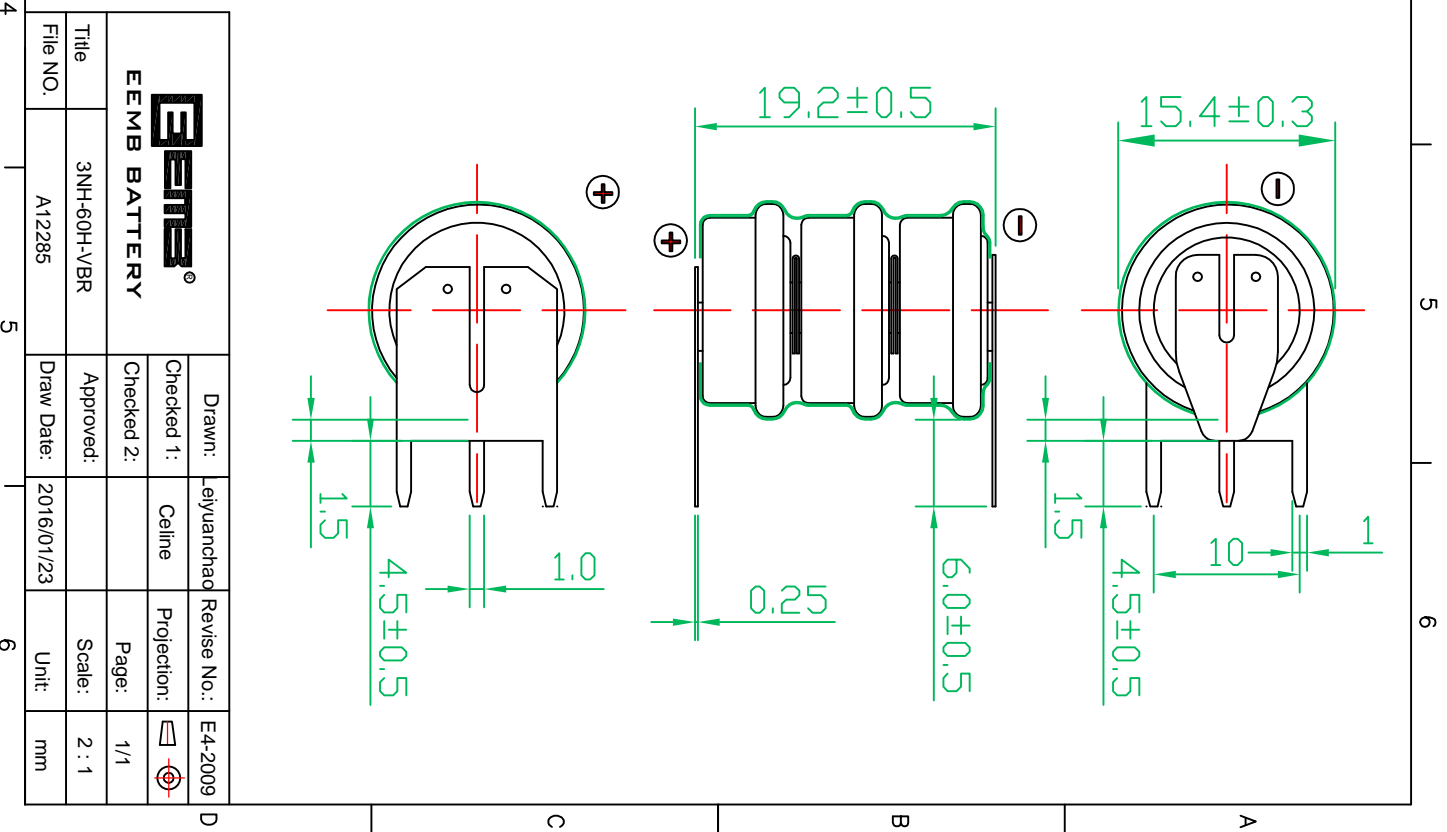


Remark(备注):

1. Cell(电芯): 3.6V 80mAh. Green PVC, with date code(绿色PVC,表面喷码)
2. Cathode/Anode tab: Stainless steel plated with nickel
3. RoHS Compliant

严格按照ROHS要求生产



		Drawn:	-elyvanchad	Revise No.:	E4-2009
		Checked 1:	Celine	Projection:	
Title	3NH-60H-VBR	Checked 2:		Page:	1/1
File NO.	A12285	Approved:		Scale:	2 : 1
		Draw Date:	2016/01/23	Unit:	mm