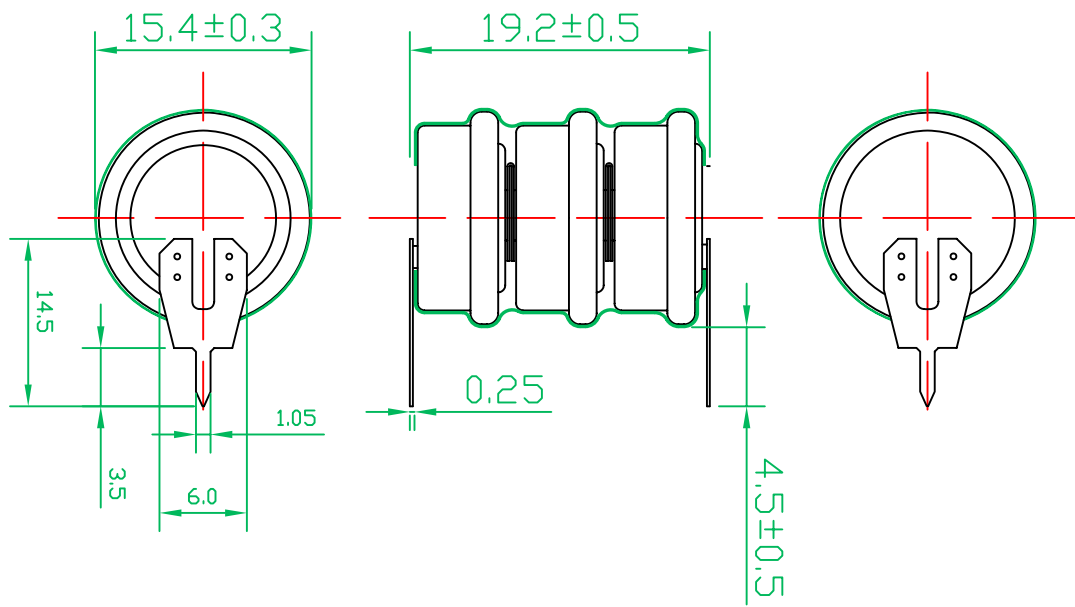
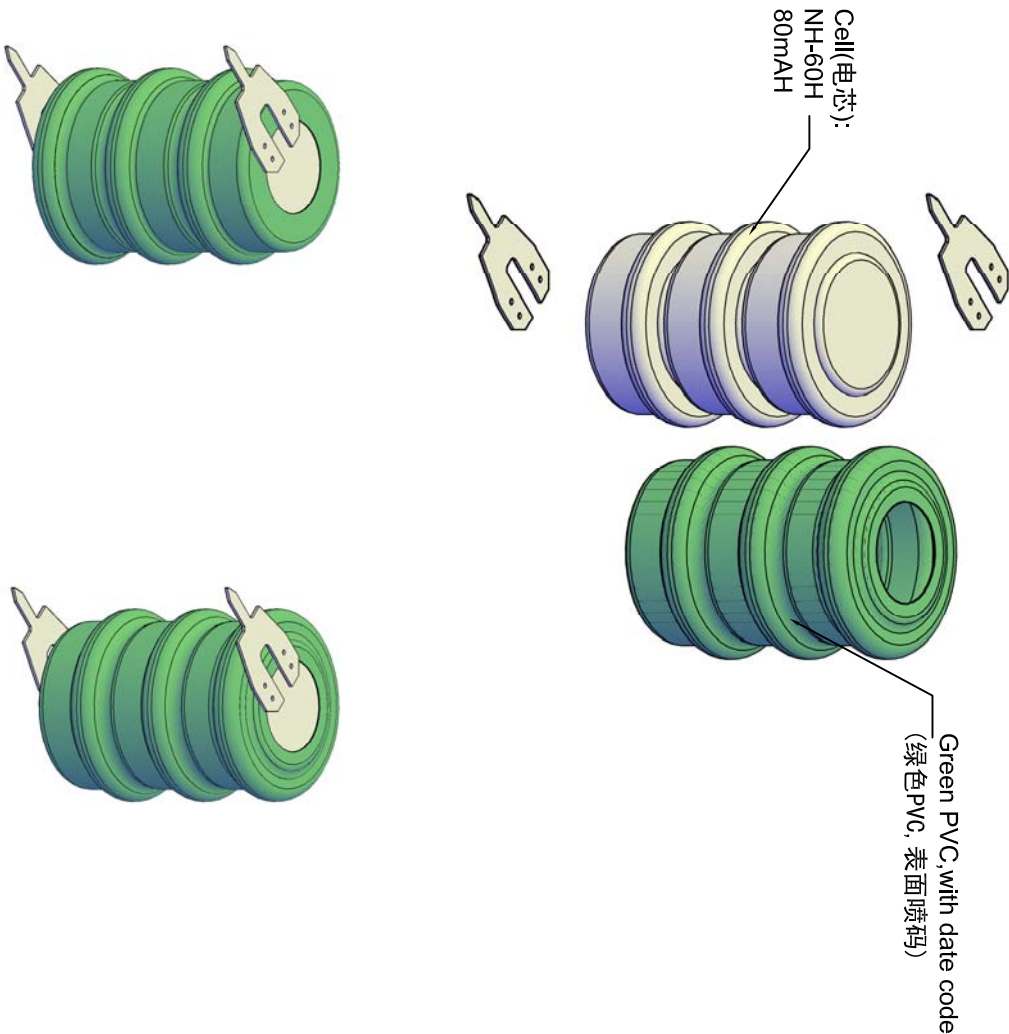


Scale(2 : 1)



Remark(备注):

1. Cell(电芯): 3.6V 80mAh. Green PVC, with date code(绿色PVC, 表面喷码)
2. Cathode/Anode tab: Stainless steel plated with nickel
正/负极焊片材质: 不锈钢镀镍
3. RoHS Compliant
严格按照ROHS要求生产

		Drawn: leiYuanChad		Revise No.: E4-2009	
		Checked 1: Tina	Projection:		
Title		Checked 2:		Page: 1/1	
File NO.		Approved:		Scale: 1.5 : 1	
3NH-60H-A2		Draw Date: 2016/02/25		Unit: mm	
A12396					