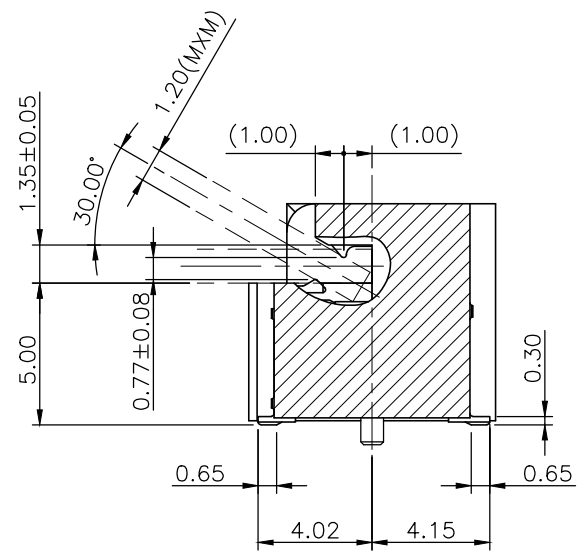
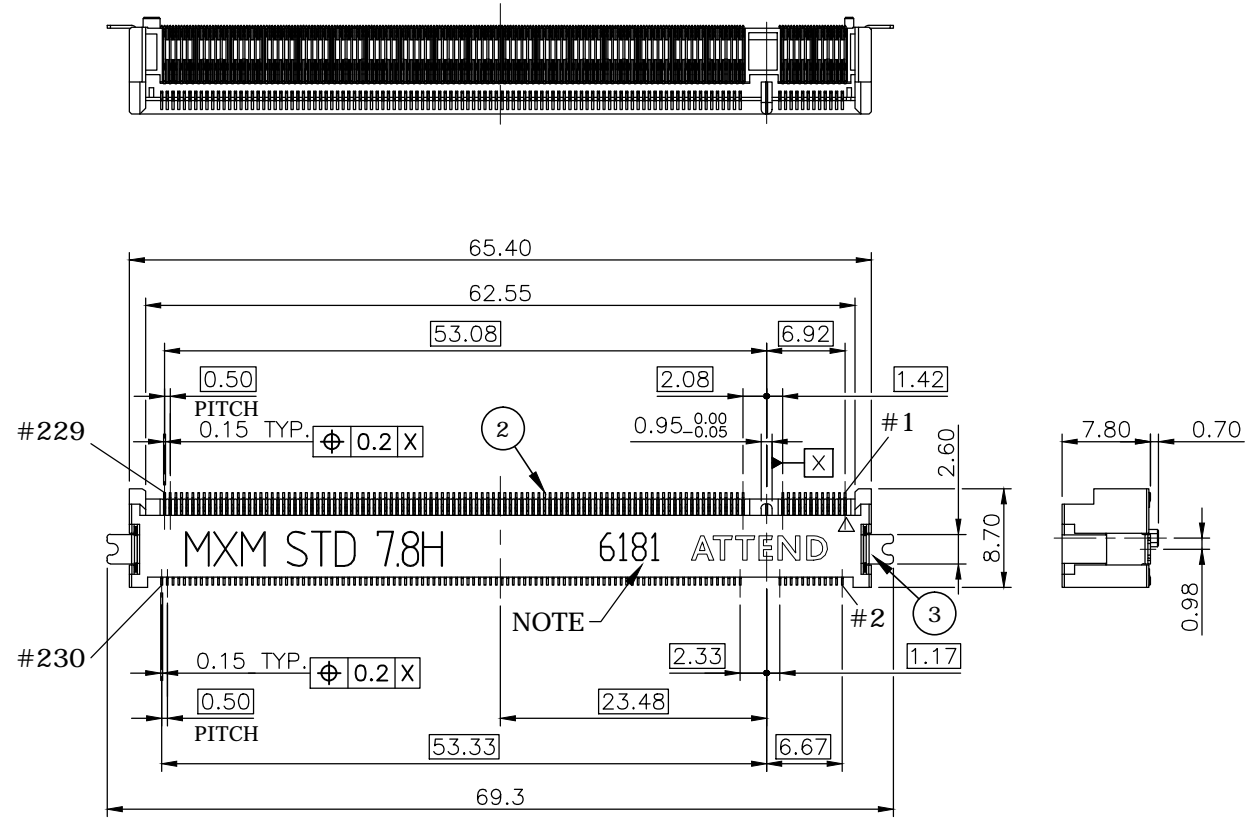
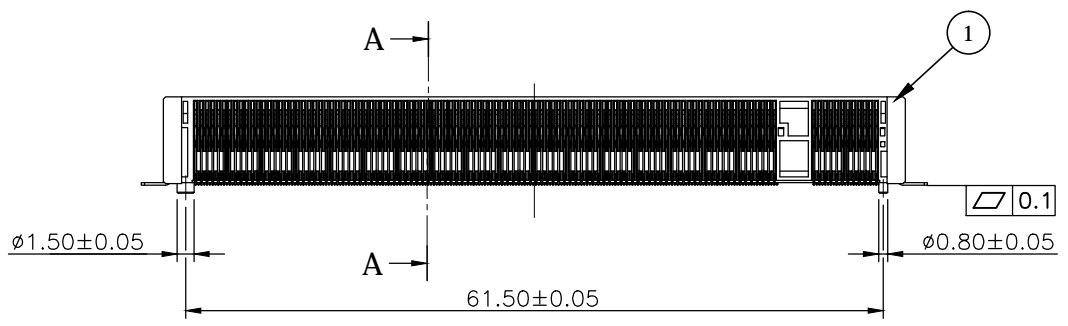


REV.	DESCRIPTION	DRAWN	DATE
0	PRELIMINARY	Tim	2016/07/14
1	INITIAL RELEASE	Tim	2016/09/23
2	CORRECTED	Tim	2016/11/04

NOTE:
DATE CODE: 6181 (YWW)
Y : YEAR(2016)
WW: WEEK (01 ~ 52)
D : DAY (1 ~ 7)



SECTION A-A
SCALE 2.5 : 1

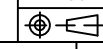


3	SOLDERPEG	Copper Alloy,Matte TIN 80μ"MIN. Ni Under Plated 60μ"MIN.
2	CONTACT	Copper Alloy,Contact:Au Plated 5μ"MIN. Ni Under Plated 60μ"MIN.
1	HOUSING	LCP, UL94V-0, Black
NO.	PART NAME	DESCRIPTION

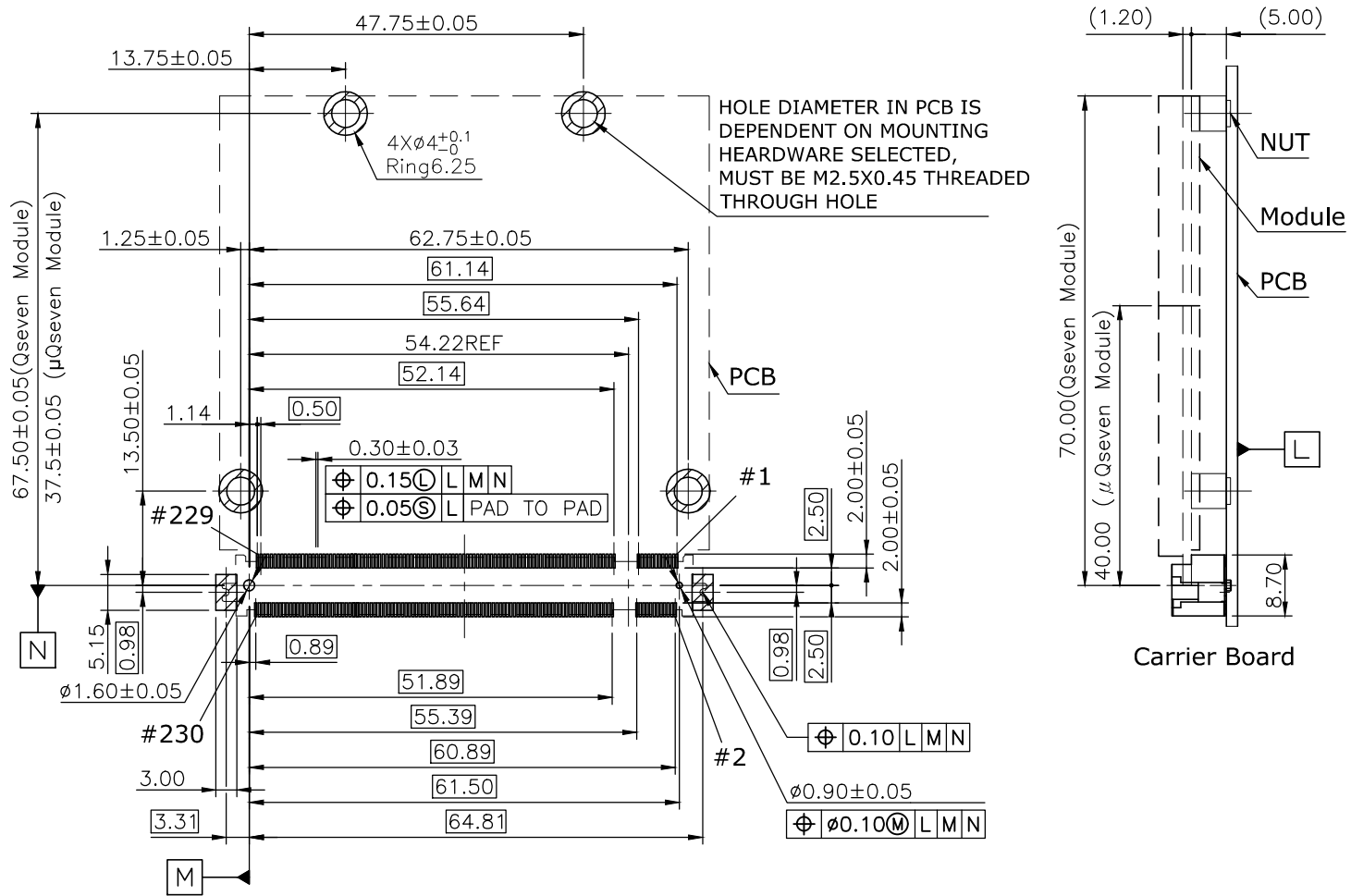
UNLESS OTHERWISE SPECIFIED TOLERANCE			
UNIT:	DECIMAL	LINEAR	ANGLES
mm	X.	±0.50	±5°
	X.X	±0.25	±3°
	X.XX	±0.12	±1°



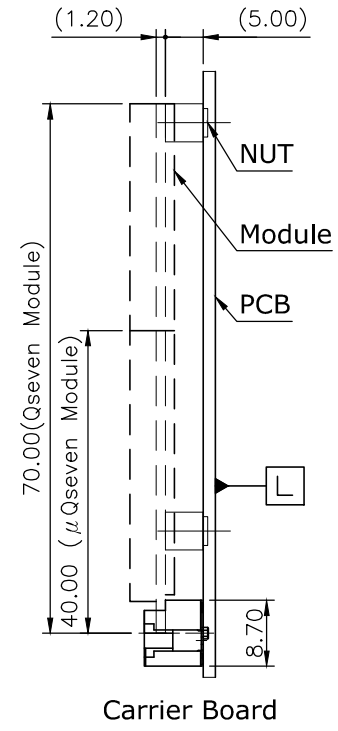
DRAWN	Tim	2016/07/14	DRAWN NAME:	MXM 230 pin for QSeven	
CHECKED	Fros	2016/07/14		0.5 Pitch, 7.8H, Standard Type, Reel	
APPROVED	Ken	2016/07/14	PRODUCT NO.	125A-78C00	
SCALE	1.5/1	SHEET	1/4	SIZE	A4
FILE NAME	125A-78C00_B_2				


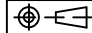


REV.	DESCRIPTION	DRAWN	DATE
	SEE SHEET ONE		



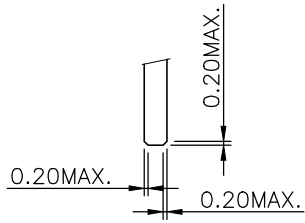
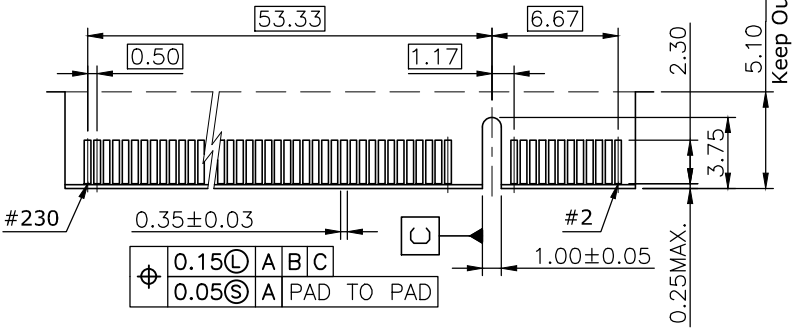
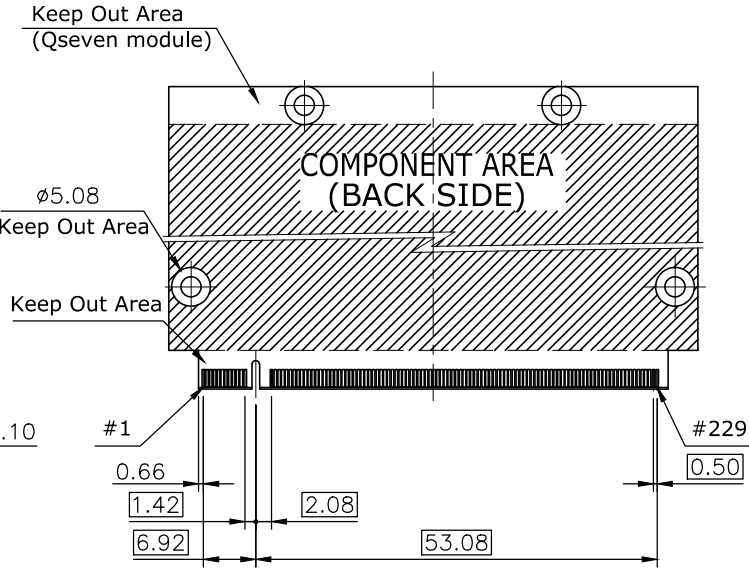
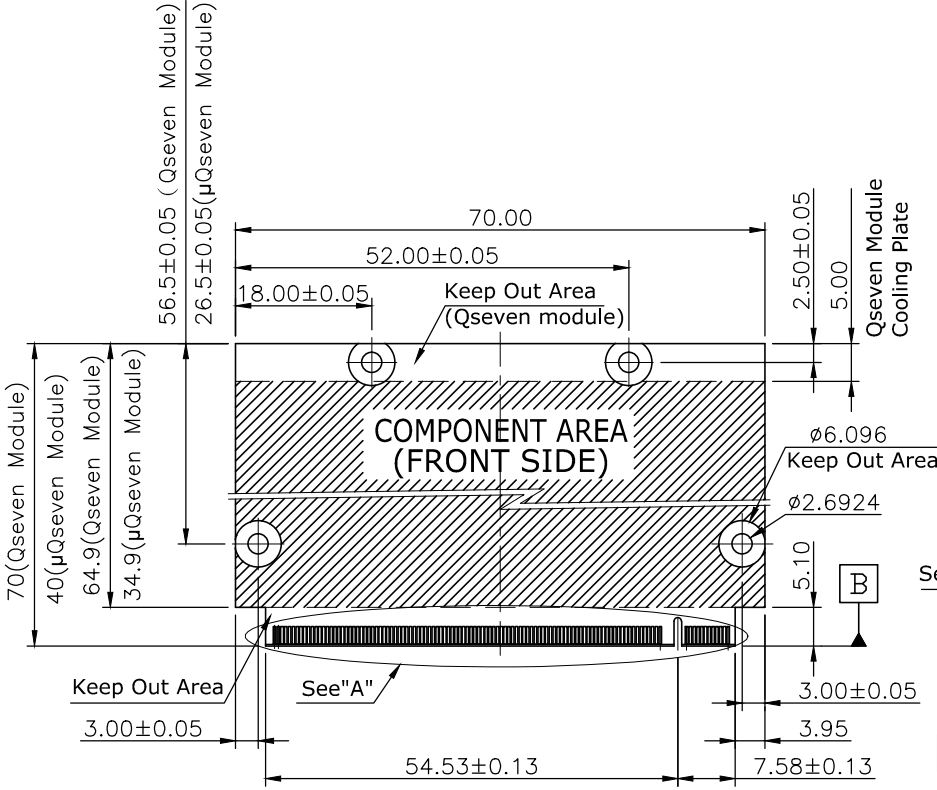
RECOMMENDED LAYOUT
 GENERAL TOLERANCE: ±0.05



UNLESS OTHERWISE SPECIFIED TOLERANCE				 WWW.ATTEND.COM.TW
UNIT:	DECIMAL	LINEAR	ANGLES	
mm	X.	±0.50	±5°	
	X.X	±0.25	±3°	
	X.XX	±0.12	±1°	
DRAWN	Tim	2016/07/14	DRAWN NAME:	
CHECKED	Fros	2016/07/14	MXM 230 pin for QSeven 0.5 Pitch, 7.8H, Standard Type, Reel	
APPROVED	Ken	2016/07/14	PRODUCT NO. 125A-78C00	
	SCALE 1/1	SHEET 2/4	SIZE A4	FILE NAME 125A-78C00_B_2

REV.	DESCRIPTION	DRAWN	DATE
	SEE SHEET ONE		

- NOTES; (APPLIED TO SHEET 3)
- TOLERANCES ON ALL DIMENSION ± 0.1 UNLESS OTHERWISE SPECIFIED.
 - P.C.BOARD THICKNESS APPLIES ACROSS TABS AND INCLUDES PLATING AND/OR METALIZATION.
 - FINISH OF PAD : GOLD PLATING 30μ "MIN. OVER Ni PLATING 80μ "MIN.
 - The common dimension for MXM-TYPE I,II,III when there is no special mention.



DETAIL C
 SCALE 2.5:1

DETAIL A
 SCALE 2.5:1

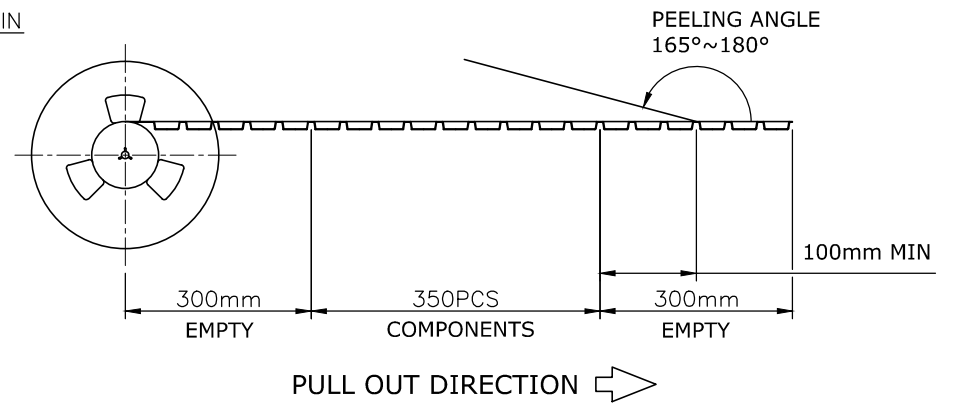
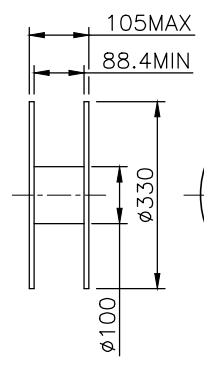
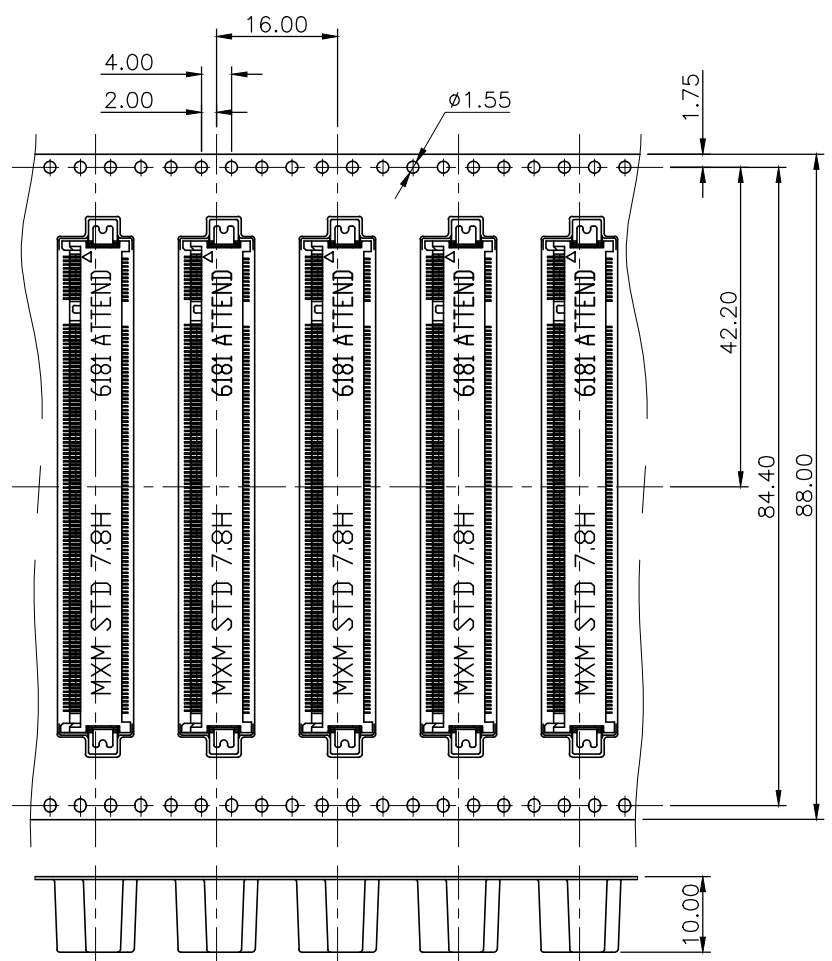
UNLESS OTHERWISE SPECIFIED TOLERANCE			
UNIT:	DECIMAL	LINEAR	ANGLES
mm	X.	± 0.50	$\pm 5^\circ$
	X.X	± 0.25	$\pm 3^\circ$
	X.XX	± 0.12	$\pm 1^\circ$
DRAWN	Tim	2016/07/14	DRAWN NAME:
CHECKED	Fros	2016/07/14	MXM 230 pin for Qseven 0.5 Pitch, 7.8H, Standard Type, Reel
APPROVED	Ken	2016/07/14	PRODUCT NO. 125A-78C00
SCALE	SHEET	SIZE	FILE NAME
1/1	3/4	A4	125A-78C00_B_2



WWW.ATTEND.COM.TW

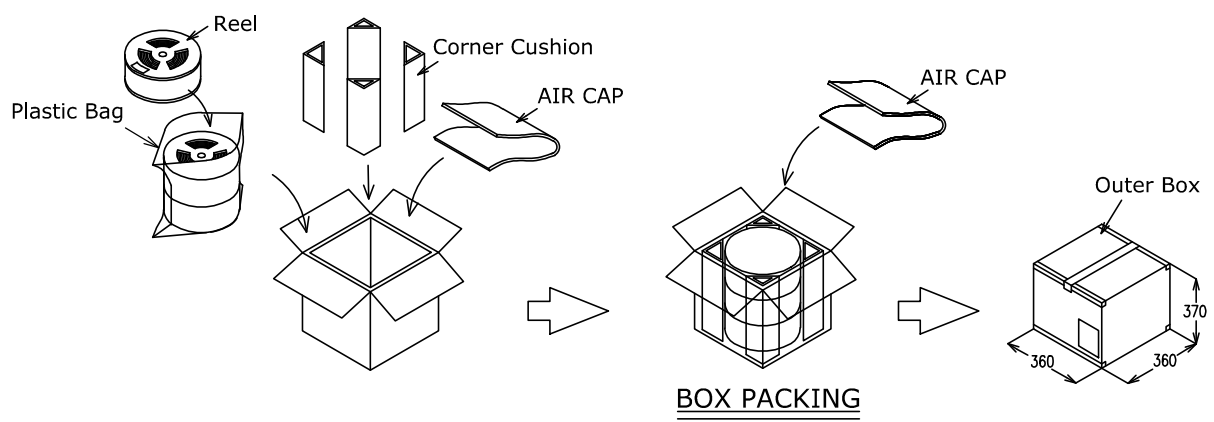
DRAWN	Tim	2016/07/14
CHECKED	Fros	2016/07/14
APPROVED	Ken	2016/07/14
SCALE	SHEET	SIZE
1/1	3/4	A4

REV.	DESCRIPTION	DRAWN	DATE
	SEE SHEET ONE		




PACKAGING SPECIFICATION:

- 1. PACKING
- 1.1 Quantity:
 - 350Piece/ Reel
 - 1050 Piece/ Carton



UNLESS OTHERWISE SPECIFIED TOLERANCE

UNIT:	DECIMAL	LINEAR	ANGLES
mm	X.	±0.50	±5°
	X.X	±0.25	±3°
	X.XX	±0.12	±1°

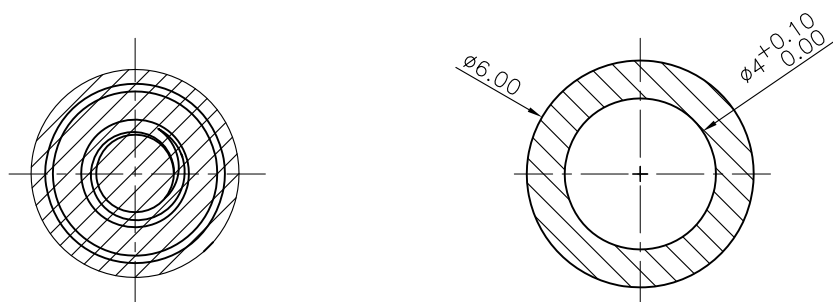


ATTEND

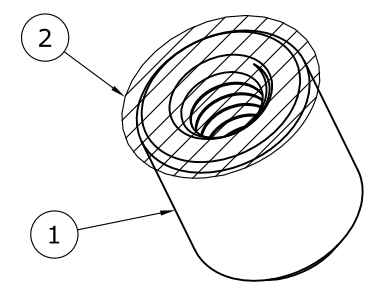
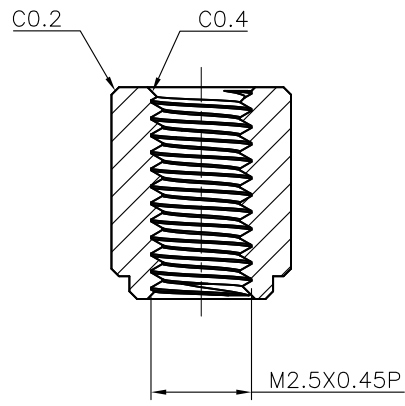
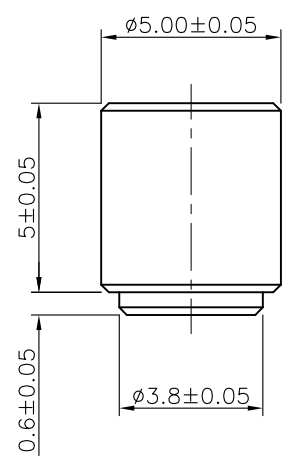
WWW.ATTEND.COM.TW

DRAWN	Tim	2016/07/14	DRAWN NAME:
CHECKED	Fros	2016/07/14	MXM 230 pin for QSeven
APPROVED	Ken	2016/07/14	0.5 Pitch, 7.8H, Standard Type, Reel
SCALE	N/A	SHEET 4/4	PRODUCT NO. 125A-78C00
		SIZE A4	FILE NAME 125A-78C00_B_2

REV.	DESCRIPTION	DRAWN	DATE
1	INITIAL RELEASE	FROS	2016/07/25



Recommended Layout (top view)
General Tolerance: $\pm 0.05\text{mm}$

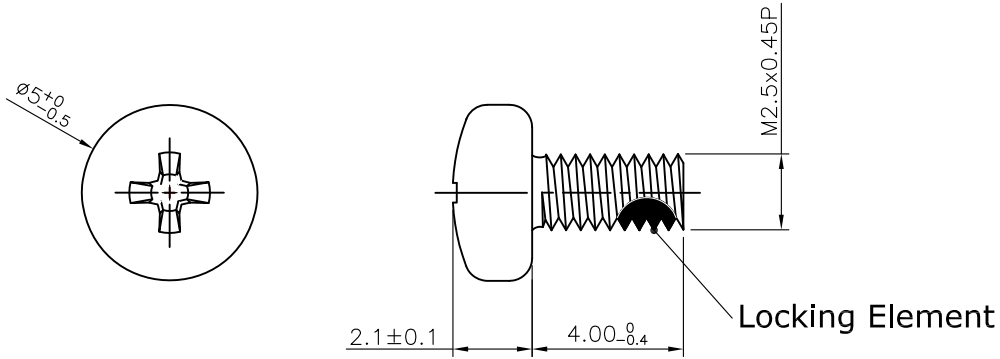


2	MYLAR	0.1t		
1	NUT	Low Lead Brass, Tin Plating		
NO. PART NAME		DESCRIPTION		
UNLESS OTHERWISE SPECIFIED TOLERANCE				
UNIT:	DECIMAL	LINEAR	ANGLES	
mm	X.	± 0.50	$\pm 5^\circ$	
	X.X	± 0.25	$\pm 3^\circ$	
	X.XX	± 0.12	$\pm 1^\circ$	
DRAWN		Fros	2016/07/25	DRAWN NAME: Nut, M2.5x0.45P, 5H, Reel
CHECKED		Tim	2016/07/25	
APPROVED		Ken	2016/07/25	PRODUCT NO. 125-NUT-78
SCALE		SHEET	SIZE	FILE NAME
5/1		1/1	A4	125-NUT-78_B_1


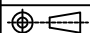


WWW.ATTEND.COM.TW

REV.	DESCRIPTION	DRAWN	DATE
1	INITIAL RELEASE	FROS	2016/07/25



Material: C1018, Nickel plating + NYLOK
Packing: Polybag

UNLESS OTHERWISE SPECIFIED TOLERANCE					
UNIT:	DECIMAL	LINEAR	ANGLES		
mm	X.	± 0.50	$\pm 5^\circ$	WWW.ATTEND.COM.TW	
	X.X	± 0.25	$\pm 3^\circ$		
	X.XX	± 0.12	$\pm 1^\circ$		
DRAWN	Fros	2016/07/25	DRAWN NAME:		
CHECKED	Tim	2016/07/25	Phillips Head Screw, M2.5x0.45P, 4L, Nylok		
APPROVED	Ken	2016/07/25	PRODUCT NO.	125-SCREW	
	SCALE 5/1	SHEET 1/1	SIZE A4	FILE NAME	125-SCREW_B_1