

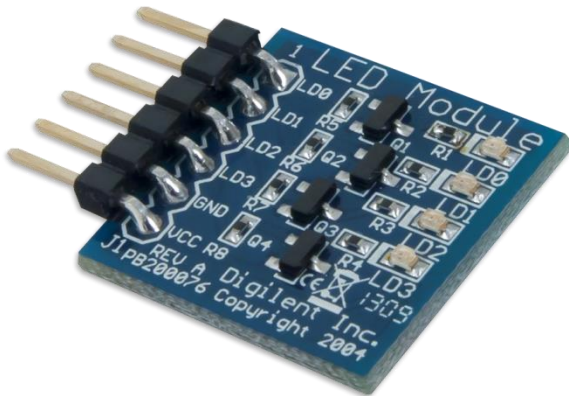
PmodLED™ Reference Manual

Revised May 26, 2016

This manual applies to the PmodLED rev. A

Overview

The Digiilent PmodLED contains 4 individual user LEDs that are driven through logic-level transistors.



The PmodLED.

Features include:

- 4 high-bright red LEDs
- Clearly visible logic level indicators
- Required driving current of < 1 mA
- Small PCB size for flexible designs 0.8" × 0.8" (2.0 cm × 2.0 cm)
- 6-pin Pmod connector with GPIO interface
- Follows [Digiilent Pmod Interface Specification](#) Type 1

1 Functional Description

The PmodLED utilizes logic-level transistors to light up four individual high-bright LEDs. Each LED can be turned on through the use of less than 1 mA of current, making this Pmod ideal for users needing small indicator lights.

2 Interfacing with the Pmod

The PmodLED communicates with the host board via the GPIO protocol. A logic high level turns on the LED and a logic low signal turns off the LED.

Pin	Signal	Description
1	LD0	LED 0
2	LD1	LED 1
3	LD2	LED 2
4	LD3	LED 3
5	GND	Power Supply Ground
6	VCC	Positive Power Supply

Table 1. Pinout description table.

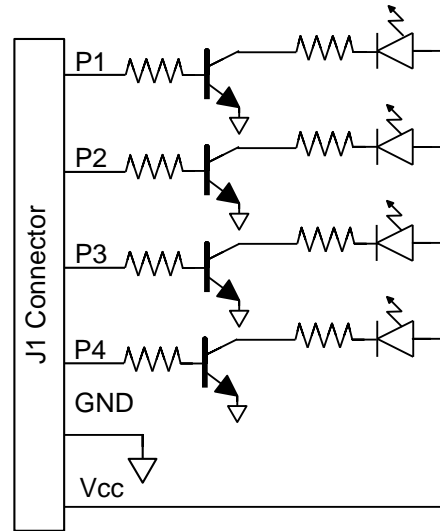


Figure 1. LED module circuit diagram.

It is recommended that Pmod is operated at 3.3V.

3 Physical Dimensions

The pins on the pin header are spaced 100 mil apart. The PCB is 0.8 inches long on the sides parallel to the pins on the pin header and 0.8 inches long on the sides perpendicular to the pin header.