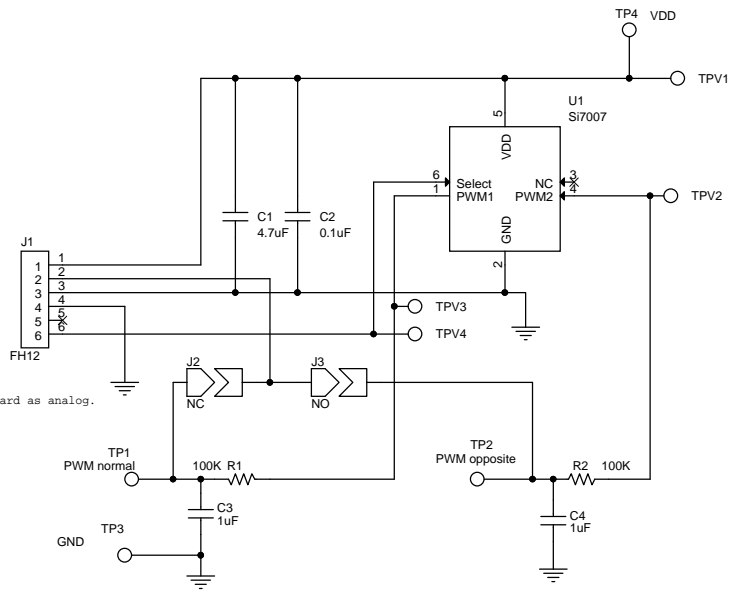



Grounding pin 4 identifies the board as analog.



 400 W Cesar Chavez Austin, TX 78701		
Title: SI7022/7023 postage stamp		
Size: B	Document Number: <Doc>	Rev: 1.0
Date: Friday, May 09, 2014	Sheet: 1	of: 1