

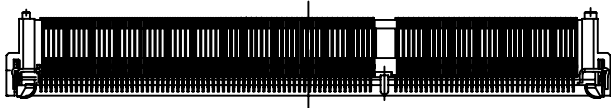
SWITCH CIRCUIT

MATERIAL AND FINISH AS BELOW

WHEN CARD IS EJECTED

WHEN CARD IS INSERTED

A	Housing	LCP UL94V-0 Black	E	
B	Contact	Phosphor Bronze C5210, Contact Area: Gold Flash	F	
C	Latch	Stainless Steel SUS301	G	
D			H	



NOTES:
 DATE CODE 2202 (YWWDD)
 Y: 2 YEAR(2012)
 WW:20 WEEK(01~52)
 D: 2 DAY(01~07)

SPECIFICATION:

1. ELECTRICAL

- 1.1 Current Rating: 0.5A per pin
- 1.2 Voltage Rating: 25V AC/DC
- 1.3 Contact Resistance: 60mΩ
- 1.4 Insulation Resistance: 500MΩ
- 1.5 Dielectric Withstanding Voltage: 125VAC

2. MECHANICAL

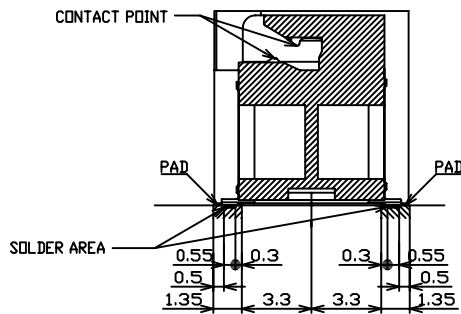
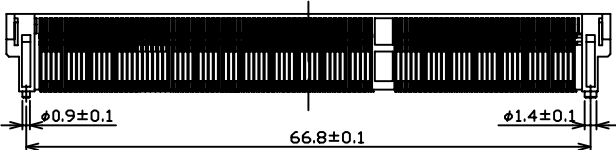
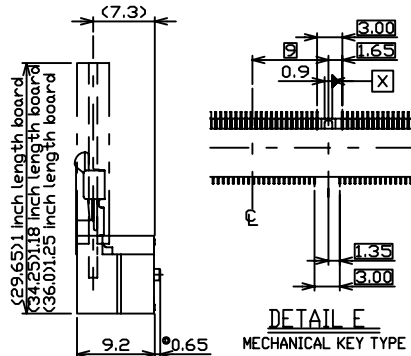
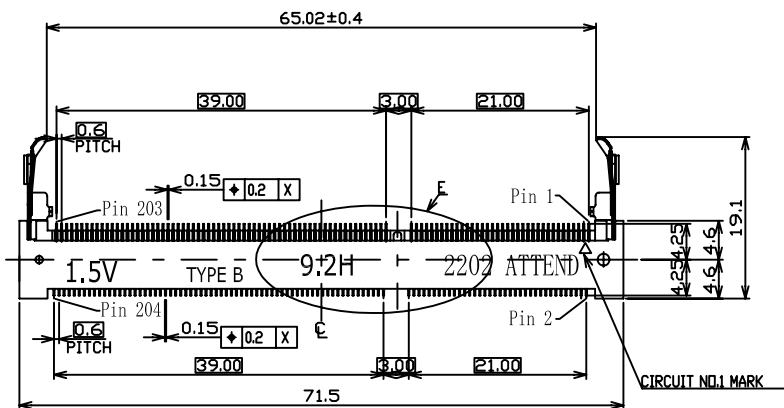
- 2.1 Durability: 25 Cycle
- 2.2 Latch Retention Force: 8 N/Pos. Min

3. ENVIRONMENTAL

- 3.1 Operating temperature range: -40°C~+85°C
- 3.2 Storage temperature range: -40°C~+85°C

4. SOLDER ABILITY

- 4.1 Recommended IR Reflow Temperature: 255°C 10Sec



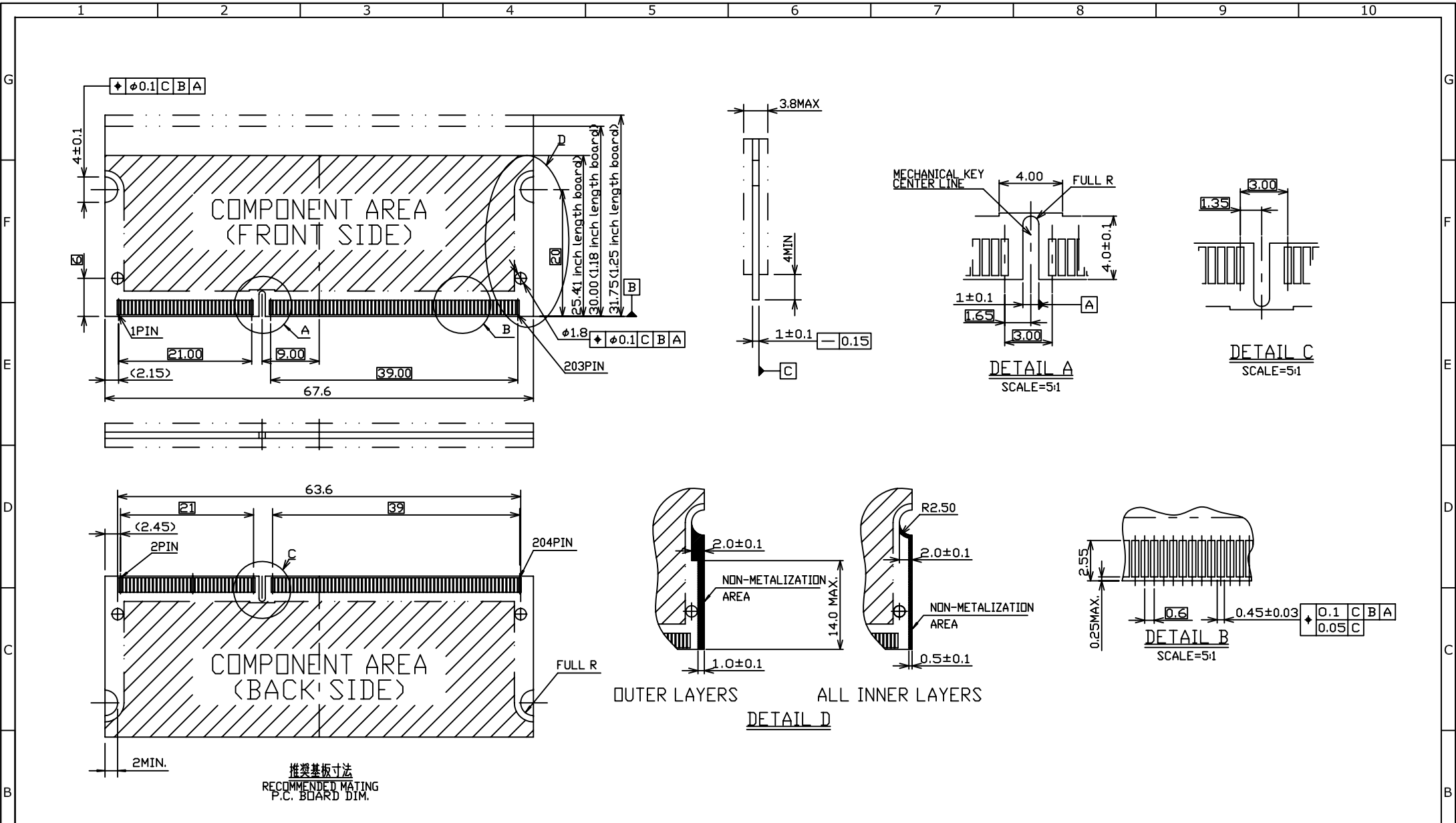
P1	P2	P3	P4	P5	P6	P7	P8	P9	P10	P11	P12
PIN ASSIGNMENT											
122A-92A10			SO DIMM DDR3 Socket 1.5V 204Pin Reverse Type 9.2H, Contact Area: Gold Flash								
PRODUCT NO.			DESCRIPTION								

UNLESS OTHERWISE SPECIFIED TOLERANCE		
ANGLES	ANG.	±5°
LINEAR	0.	±0.3
	0.0	±0.25
	0.00	±0.20
SCALE	AS SHOWN	UNIT: mm
DRAWN	Willis	2012/12/05
CHECKED	Angel	2012/12/05
APPROVED	Ken	2012/12/05

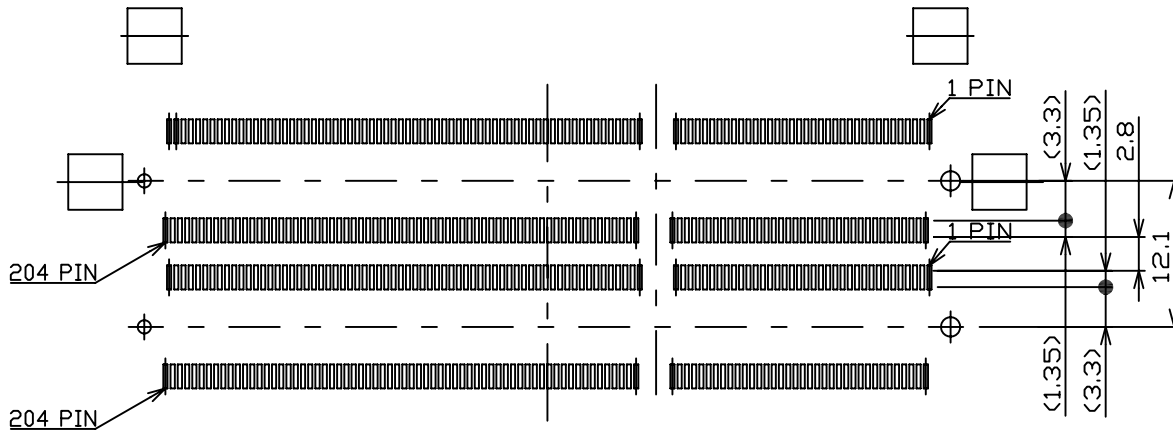


www.attend.com.tw
 DRAWN NAME: SO DIMM DDR3 Socket
 1.5V 204Pin 9.2H Reverse Type

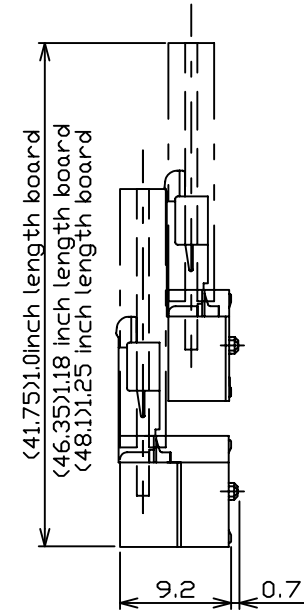
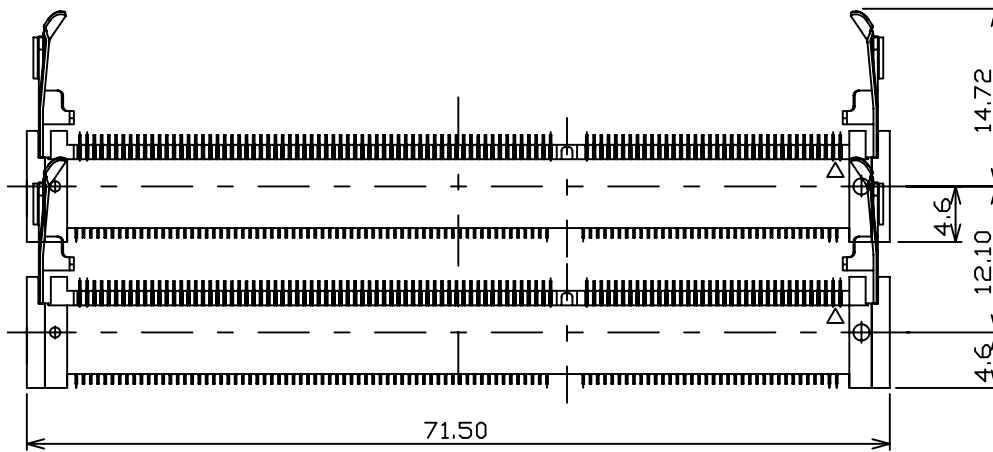
△	Revise:										
△	Revise:										
△	Revise:										
REV.	DESCRIPTION	DATE	REV.	DESCRIPTION	DATE	SIZE	A4	REV.	1.0	FILE NAME	122A-92A10_B_1
1			4								
2			5								
3			6								
			7								
			8								
			9								
			10								



						UNLESS OTHERWISE SPECIFIED TOLERANCE			 www.attend.com.tw	
						ANGLES	ANG.	±5°		
						LINEAR		0.	±0.3	
								0.00	±0.25	
						SCALE	AS SHOWN	UNIT: mm	DRAWN NAME: SO DIMM DDR3 Socket 1.5V 204Pin 9.2H Type	
						DRAWN	Willis	2012/12/05	DRAWN NAME: SO DIMM DDR3 Socket 1.5V 204Pin 9.2H Type	
						CHECKED	Angel	2012/12/05	PRODUCT NO. 122A-92A10	
						APPROVED	Ken	2012/12/05	FILE NAME 122A-92A10_B_1	
REV.	DESCRIPTION		DATE	REV.	DESCRIPTION		DATE	SIZE A4	REV. 1.0	
1				4						



RECOMMENDED MOUNTING
P.C. BOARD PATTERN LAYOUT DIM.



Combination Dimension for H=5.2 connector
 (Only the combination of the P/N 122A-52A10 (H=5.2) and 122A-92A10 (H=9.2) is possible.)

UNLESS OTHERWISE SPECIFIED TOLERANCE		
ANGLES	ANG.	±5°
LINEAR	0.	±0.3
	0.0	±0.25
	0.00	±0.20
SCALE	AS SHOWN	UNIT: mm
DRAWN	Willis	2012/12/05
CHECKED	Angel	2012/12/05
APPROVED	Ken	2012/12/05



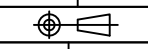
www.attend.com.tw

DRAWN NAME: SO DIMM DDR3 Socket
1.5V 204Pin 9.2H Reverse Type

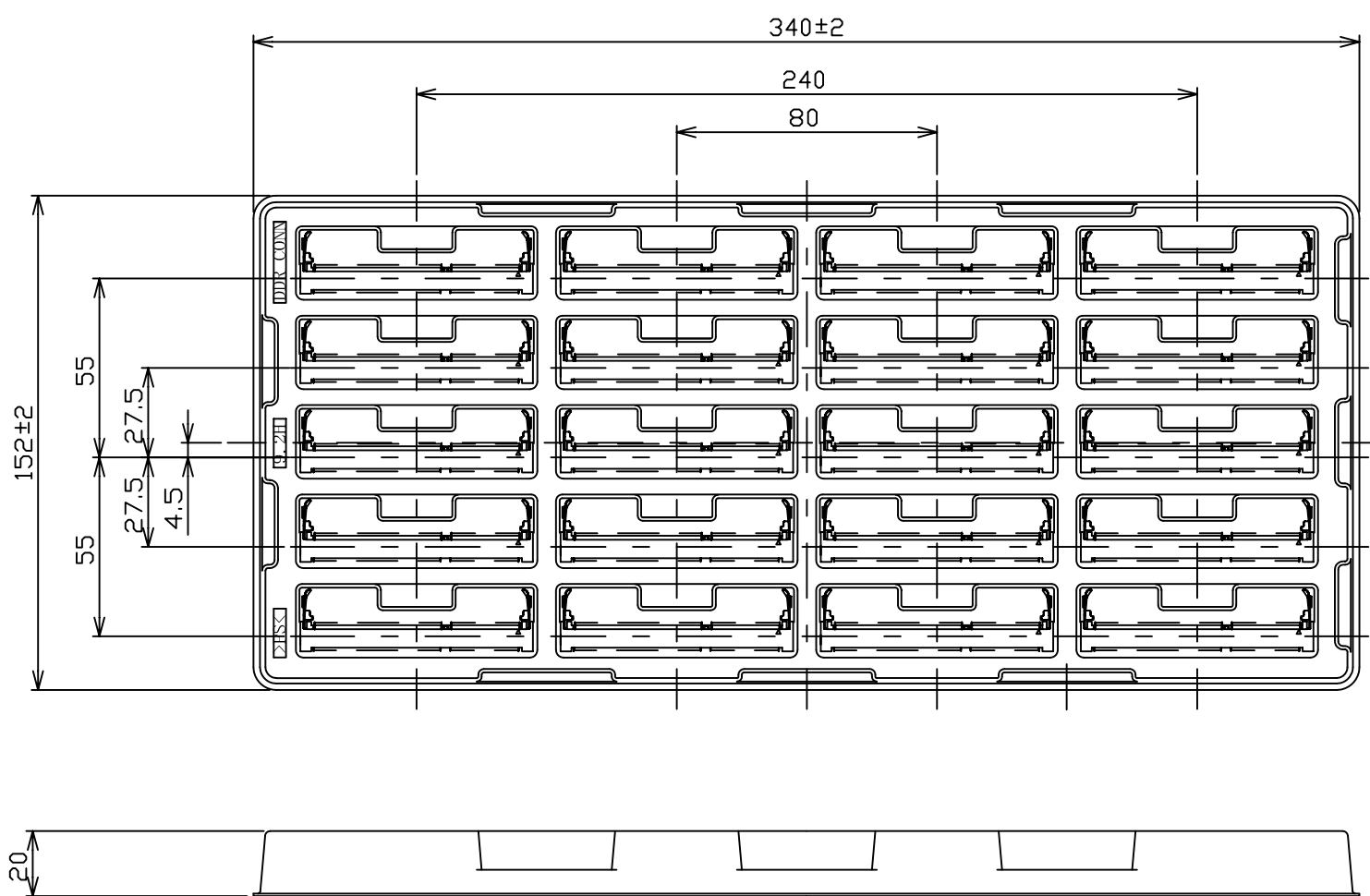
PRODUCT NO. 122A-92A10

FILE NAME 122A-92A10_B_1

REV.	DESCRIPTION	DATE	REV.	DESCRIPTION	DATE
1			4		
2			5		
3			6		



SIZE A4 REV. 1.0



PACKAGING SPECIFICATION:

1. PACKING

- 1.1 Quantity:**
- 20Piece/Tray**
- 160Piece/Inner Carton**
- 480Piece/Outer Carton**

SOFT TRAY PACKAGING

UNLESS OTHERWISE SPECIFIED TOLERANCE		
ANGLES	ANG.	±5°
LINEAR	0.	±0.3
	0.0	±0.25
	0.00	±0.20
SCALE	AS SHOWN	UNIT: mm
DRAWN	Willis	2012/12/05
CHECKED	Angel	2012/12/05
APPROVED	Ken	2012/12/05



www.attend.com.tw

DRAWN NAME: SO DIMM DDR3 Socket
1.5V 204Pin 9.2H Reverse Type

PRODUCT NO. 122A-92A10

FILE NAME 122A-92A10_D_1

REV.	DESCRIPTION	DATE	REV.	DESCRIPTION	DATE
1			4		
2			5		
3			6		



SIZE A4 REV. 1.0

△ Revise:
△ Revise:
△ Revise:

A

A