

| | |
|------------------|--------------|
| Model No. | FYL-5012PD1C |
| Rev. | A |

PRODUCT SPECIFICATION

Model No.: FYL-5012PD1C

| Descriptions: |
|------------------------------------|
| ■ Emitting Color: Photo diode. |
| ■ Device Outline: Φ5mm round type. |
| ■ Lens Type: Deep blue. |



| CUSTOMER APPROVED SIGNATURES | APPROVED BY | CHECKED BY | PREPARED BY |
|------------------------------|-------------|------------|-------------|
| | | | |

NINGBO FORYARD OPTOELECTRONICS CO.,LTD.

Add:NO.115 Qixin Road Ningbo Zhejiang China

Zip:315051

Tel: 0086-574-87933652 87927870 87922206

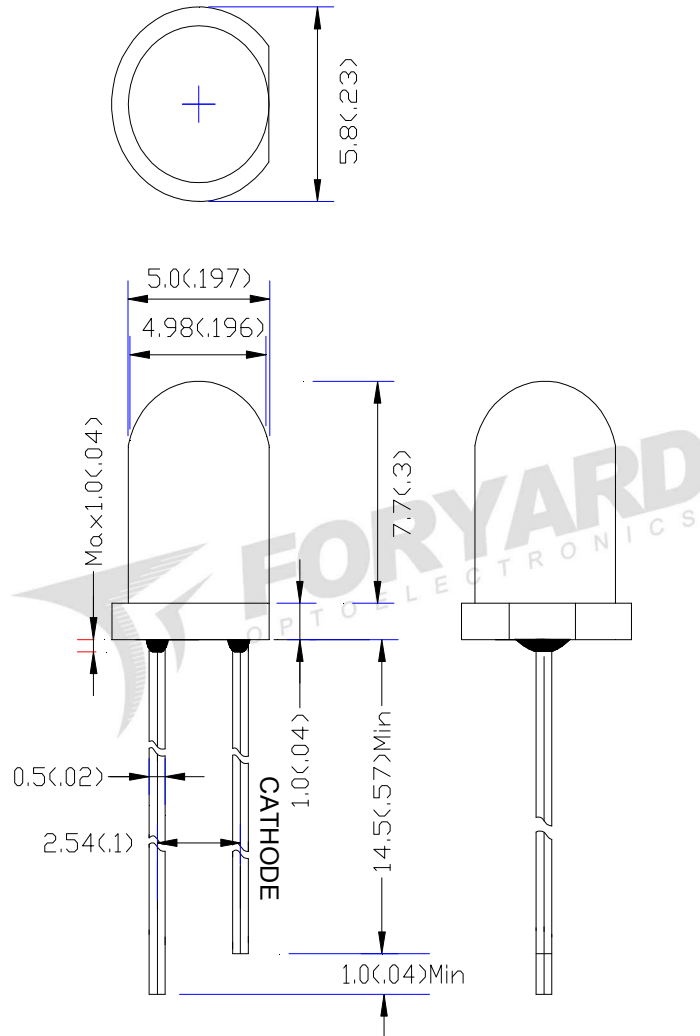
Fax: 0086-574-87927917

E-mail: Sales@foryard.com (General)

[Http://www.foryard.com](http://www.foryard.com)

| | |
|------------|--------------|
| Model. No. | FYL-5012PD1C |
| Rev. | A |

■ Package configuration



Notes:

1. All dimensions are millimeters (inches)
2. Tolerance is $\pm 0.25\text{mm}(.010\text{'})$ unless otherwise noted.
3. The specifications, characteristics and technical data described in the datasheet are subject to change without prior notice.

■ Absolute maximum ratings($T_a=25\text{ }^\circ\text{C}$)

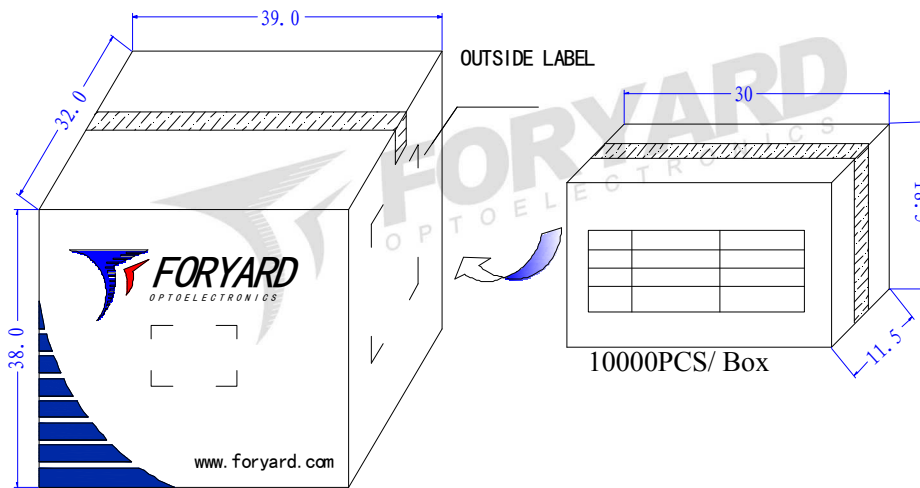
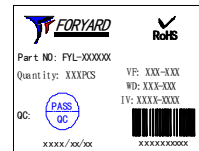
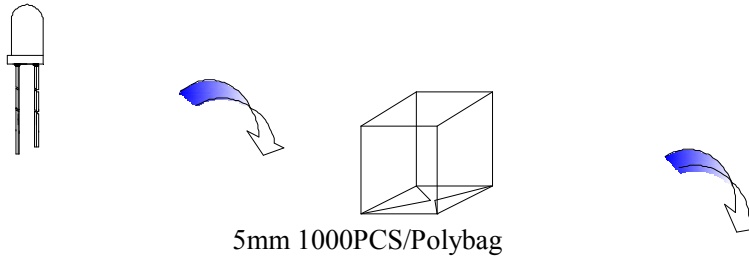
| Parameter | Symbol | Min. | Typ. | Max. | Unit | Test Condition |
|---------------------------|-----------|------|------|------|------------------|--|
| Reverse Breakdown Voltage | V_{BR} | 35 | 170 | - | V | $I_R=100\mu\text{A}, H=0\text{mw}/\text{cm}^2$ |
| Operating Temperature | T_{opr} | -30 | - | +85 | $^\circ\text{C}$ | — |
| Storage Temperature | T_{str} | -40 | - | +100 | $^\circ\text{C}$ | — |

■ Electrical and optical characteristics($T_a=25\text{ }^\circ\text{C}$)

| Parameter | Symbol | Min. | Typ. | Max. | Unit | Test Condition |
|-------------------------|-------------|------|------|------|---------------|--|
| Forward Voltage | VF | 0.5 | 1.3 | 1.7 | V | $I_F=20\text{mA}$ |
| Peak Sensing Wavelength | λ_p | | 940 | | nm | $I_F=20\text{mA}$ |
| Light Current | IL | - | 1.8 | - | μA | H as $1\text{mw}/\text{cm}^2@940\text{nm}, V_R=5\text{V}$ |
| Reverse Dark Current | ID | | 2 | 10 | nA | $H=0\text{mw}/\text{cm}^2, V_R=10\text{V}$ |
| Junction Capacitance | CJ | | 1.5 | | PF | $V_R=3\text{V}, f=1\text{MHZ}, H=0\text{mw}/\text{cm}^2$ |

| | |
|------------------|--------------|
| Model No. | FYL-5012PD1C |
| Rev. | A |

■ LAMP PACKING.



OUTSIDE LABEL