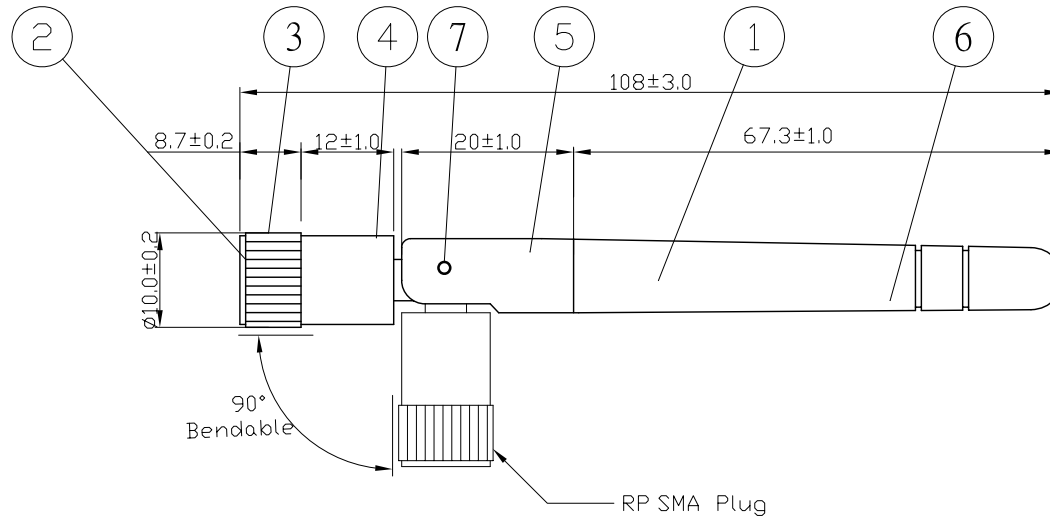


RoHS COMPLIANT

REVISIONS

ZONE	REV	DESCRIPTION	DATE	APPROVED
	A		2009/05/05	



NO	DESCRIPTION	MATERIAL	FINISH	Q'TY	DRAWN NO.
07	RIVET	BRASS	BLACK	2	
06	COVER	TPEE	BLACK	1	
05	BASE B	PC+PBT	BLACK	1	
04	BASE A	PC+PBT	BLACK	1	
03	CONNECTOR COVER	POM	BLACK	1	
02	CONNECTOR	BRASS	NICKEL	1	
01	CABLE \varnothing 1.37	NONE	NONE	1	

TITLE **WLAN 2.4G Antenna, 2dBi with RP SMA Plug**

DWG NO. **Comet Electronics** P/N **ANT24G 2D RPSMA** UNIT mm REV. A

GENERAL TOLERANCES	SCALE	APPROVALS	DATE
.X NA .XX NA .XXX NA ANGLES NA	1 : 1		
(UNLESS OTHERWISE SPECIFIED)	SIZE A4	DRAWN BY:	CHK'D BY:
	SHEET 1 of 1	APP'D BY:	