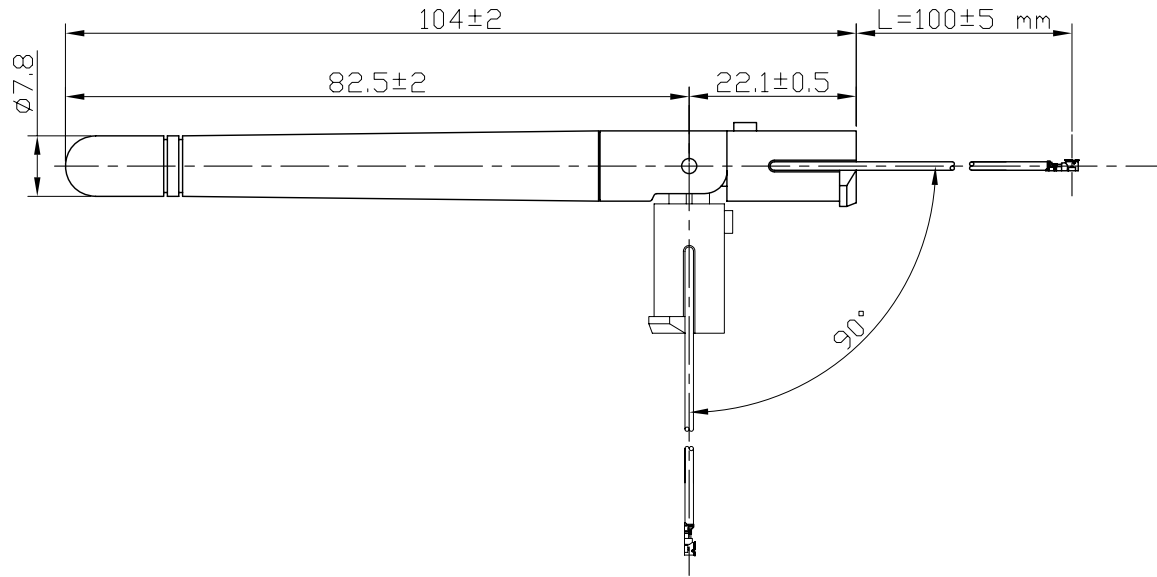
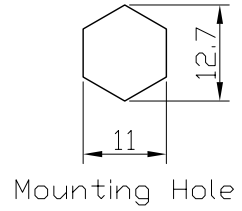


**RoHS COMPLIANT**

REVISIONS

ZONE	REV	DESCRIPTION	DATE	APPROVED
	A		2009/07/15	



Note: The orientation on drawing is for reference only.

TITLE 2.4GHz Antenna Swivel type 2dBi  
with 1.13 Cable and I-PEX Plug (L=100mm)

NO	DESCRIPTION	Q'TY	DRAWN NO.
05	1.13 coaxial cable (Gray)	1	
04	I-PEX MHF Plug	1	
03	Cover	1	
02	Bottom fixed base (PC, Black)	1	
01	Top fixed base (PC, Black)	1	

DWG NO.	<b>Comet Electronics</b> P/N <b>ANT24G 2D IPEX</b>	UNIT mm	REV. A
GENERAL TOLERANCES	SCALE Free	APPROVALS	
.X NA .XX NA .XXX NA ANGLES NA	SIZE A4	DRAWN BY:	
(UNLESS OTHERWISE SPECIFIED)	⊕	CHK'D BY:	
	SHEET 1 of 1	APP'D BY:	

