



Model: JLV-F12030KA Size: 232*37*25mm



Brief Information

Powermax™
Technology Inside

30W

Waterproof Power Supply (C.V.)

Model JLV-F12030KA / JLV-F24030KA

Input 100~240V AC

Output 12VDC 2.5A 30W / 24VDC 1.25A 30W

Product Features

- High transfer efficiency & Power Factor
- Universal Certificates & Approvals
- Wide input range(100~240V)
- Stable constant voltage output
- IP67, both indoor & outdoor use suitable
- 100% full loading, 100% burn-in tested
- Overload/short circuit protection

MAIN ELECTRICAL DATA

AC Input

Input Voltage	100~240V
Input Frequency	50/60Hz
Efficiency (Typ.)	81%
Input Current	230V: 0.2A max.
Inrush Current	40A
Leakage Current	3mA/230VAC

DC Output

Output Voltage	12V	24V
Rated Current	2.5A	1.25A
Rated Power	30W	30W
Ripple & Noise (Max.)	<100mVp-p	<100mVp-p
Setup, Rise Time	1500ms/230VAC	1500ms/230VAC
Line Regulation	1%	1%
Load Regulation	1%	1%

Service Environment

Working Temp.	-25°C~50°C
Working Humidity	20~99%RH
Storage Temp.	-40°C~80°C
Storage Humidity	10~99%RH

Protection

Overload	Yes, Cut-off mode Output shuts down if over-loaded
Short Circuit	Yes, hiccup mode, recovers automatically after fault condition is removed

Safety

Safety Standard	EN 61347-2-13
Withstand Voltage	I/P-O/P: 3750VAC/1min/<5mA
Isolation Resistance	I/P-O/P: >100M Ohms / 500VDC /25°C / 70%RH

Standards

EN 55015: 2013	EN 55015: 2013
EN 61347-1/A2: 2013	EN 61547: 2009
EN 61347-2-13: 2006	EN 61000-3-2/A2: 2009
EN 62493: 2010 (EMF)	EN 61000-3-3: 2013

Packaging Information

Product Dimension	232*37*25mm
Products Net Weight	380G
PCS/Carton(QTY)	50 PCS
Master Carton Size	37*29*32cm
G. Weight/ Carton	20KG

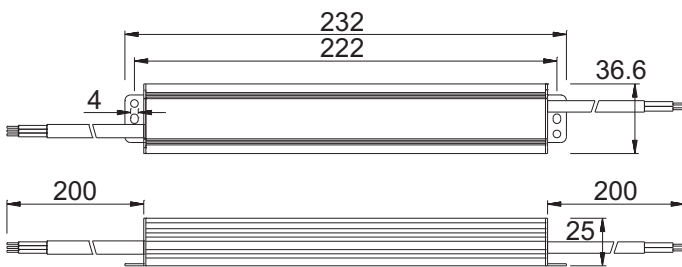
Installation Tips:

- Please identify the power supply's input and output before installation.
- Ensure correct output + & - wire connection.
Power on after wire connection is done.
- To avoid voltage drop and loading capacity wasting on the output extension wire, please install the power supply to the loading as near as possible, if must use long extension wires, thicker wires and less loading wattage is required.
- The power supply to be installed at good ventilation and cooling environment.

The power behind your lights

Physical Drawing

Unit: mm



Brief Information

Powermax™
Technology Inside

30W

Waterproof Power Supply (C.V.)

Model JLV-F12030KA / JLV-F24030KA

Input 100~240V AC

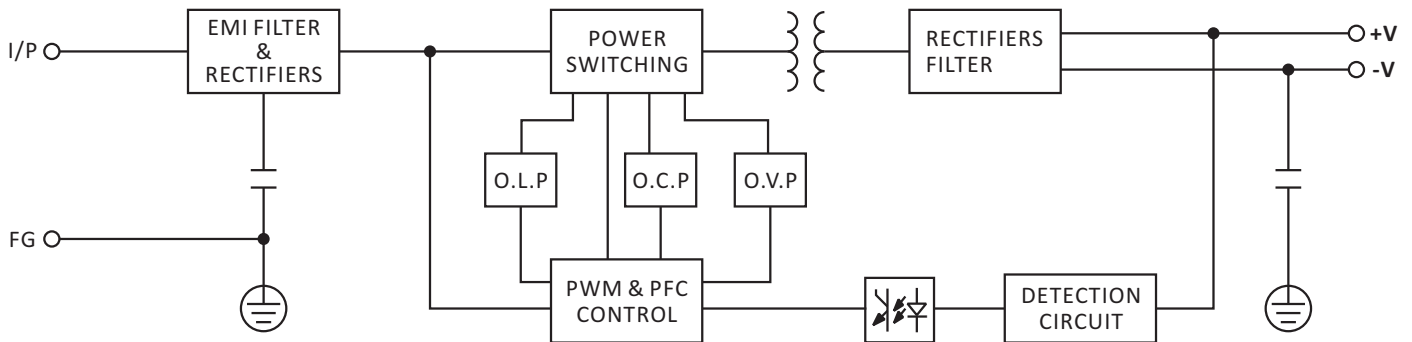
Output 12VDC 2.5A 30W / 24VDC 1.25A 30W

Input: 3x1.0mm² wire, Brown L, Blue N
300mm length

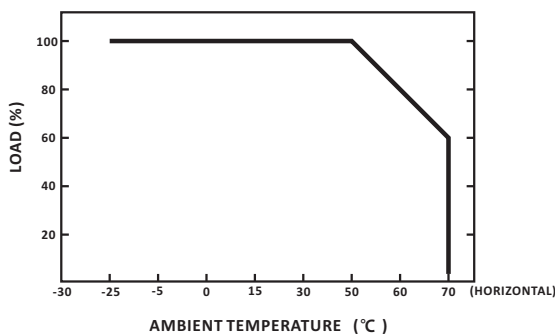
Output: 2x0.75mm² wire, Red +, Black -
300mm length

Housing: Aluminium

Block Diagram



Derating Curve



Static Characteristics

