



Model: JLV-F12100KA Size: 202\*71\*45mm



## Brief Information

Powermax™  
Technology Inside

# 100W

## Waterproof Power Supply (C.V.)

Model JLV-F12100KA / JLV-F24100KA

Input 100~240V AC

Output 12VDC 8.33A 100W / 24VDC 4.17A 100W

## Product Features

- High transfer efficiency & Power Factor
- Universal Certificates & Approvals
- Wide input range(100~240V)
- Stable constant voltage output
- IP67, both indoor & outdoor use suitable
- 100% full loading, 100% burn-in tested
- Overload/short circuit protection

## MAIN ELECTRICAL DATA

### AC Input

Input Voltage	100~240V
Input Frequency	50/60Hz
Efficiency (Typ.)	84%
Input Current	230V: 0.55A max. 110V: 1.1A max.
Inrush Current	40A
Leakage Current	3mA/230VAC

### DC Output

Output Voltage	12V	24V
Rated Current	8.33A	4.17A
Rated Power	100W	100W
Ripple & Noise (Max.)	<100mVp-p	<100mVp-p
Setup, Rise Time	600ms/230VAC	600ms/230VAC
Line Regulation	1%	1%
Load Regulation	1%	1%

## Service Environment

Working Temp.	-25°C~50°C
Working Humidity	20~99%RH
Storage Temp.	-40°C~80°C
Storage Humidity	10~99%RH

## Protection

Overload	Yes, active when loading is over 110~120% Output Voltage drops if overloaded
Short Circuit	Yes, hiccup mode, recovers automatically after fault condition is removed

## Safety

Safety Standard	EN 61347-2-13
Withstand Voltage	I/P-O/P: 3750VAC/1min/<5mA
Isolation Resistance	I/P-O/P: >100M Ohms / 500VDC /25°C / 70%RH

## Standards

EN 55015: 2013	EN 55015: 2013
EN 61347-1/A2: 2013	EN 61547: 2009
EN 61347-2-13: 2006	EN 61000-3-2/A2: 2009
EN 62493: 2010 (EMF)	EN 61000-3-3: 2013

## Packaging Information

Product Dimension	202*71*45mm
Products Net Weight	1050G
PCS/Carton(QTY)	10 PCS
Master Carton Size	26.5*25*20.5cm
G. Weight/ Carton	11.5KG

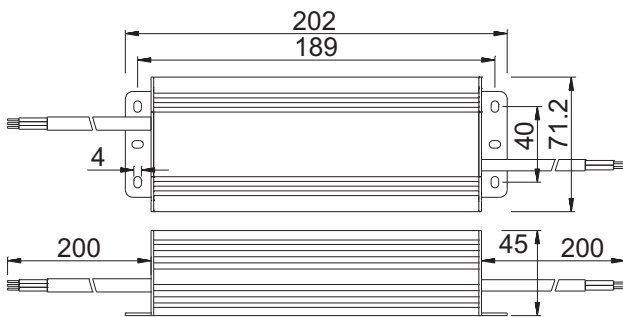
### Installation Tips:

- Please identify the power supply's input and output before installation.
- Ensure correct output + & - wire connection.  
Power on after wire connection is done.
- To avoid voltage drop and loading capacity wasting on the output extension wire, please install the power supply to the loading as near as possible, if must use long extension wires, thicker wires and less loading wattage is required.
- The power supply to be installed at good ventilation and cooling environment.

The power behind your lights

## Physical Drawing

Unit: mm



### Brief Information

Powermax™  
Technology Inside

# 100W

### Waterproof Power Supply (C.V.)

Model JLV-F12100KA / JLV-F24100KA

Input 100~240V AC

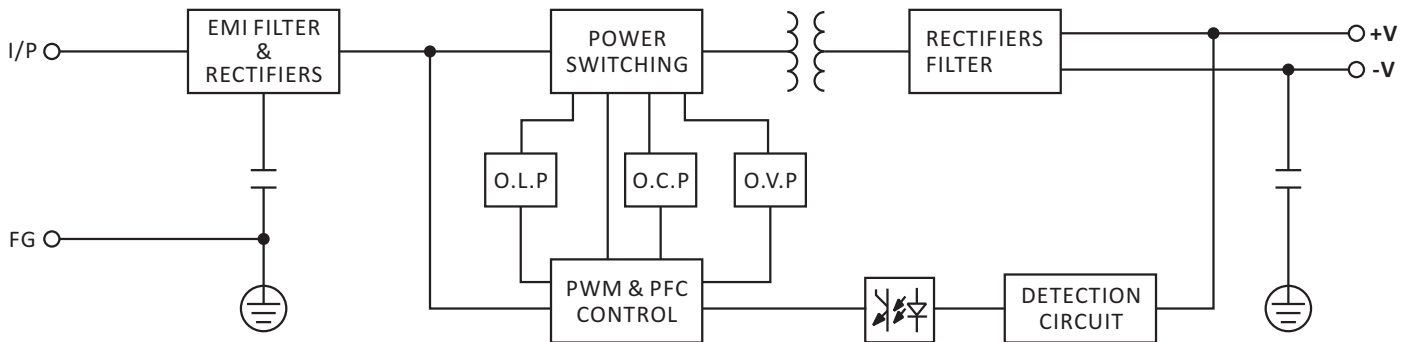
Output 12VDC 8.33A 100W / 24VDC 4.17A 100W

Input: 3x1.0mm<sup>2</sup> wire, Brown L, Blue N  
300mm length

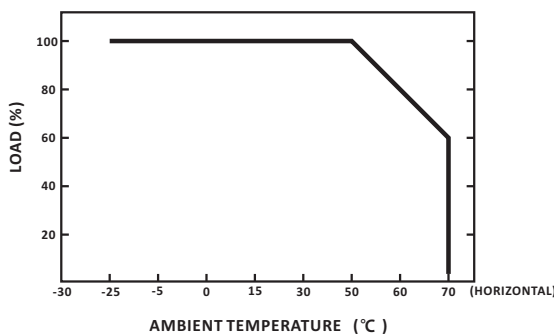
Output: 2x1.0mm<sup>2</sup> wire, Red +, Black -  
300mm length

Housing: Aluminium

## Block Diagram



## Derating Curve



## Static Characteristics

