

TPBox IP65 170mm x 105mm x 85mm Waterproof Plastic Enclosure Case Power Junction Box

Model: TJB17010585 PC Bone

Manufactured in EU

Waterproof and dustproof, degree of protection: IP 65

UL94 V1, plastic: ABS (Acrylonitrile Butadiene Styrene)

Color RAL 7035 (other colors available on request)

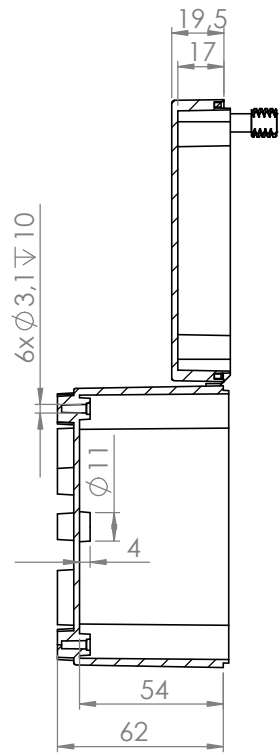
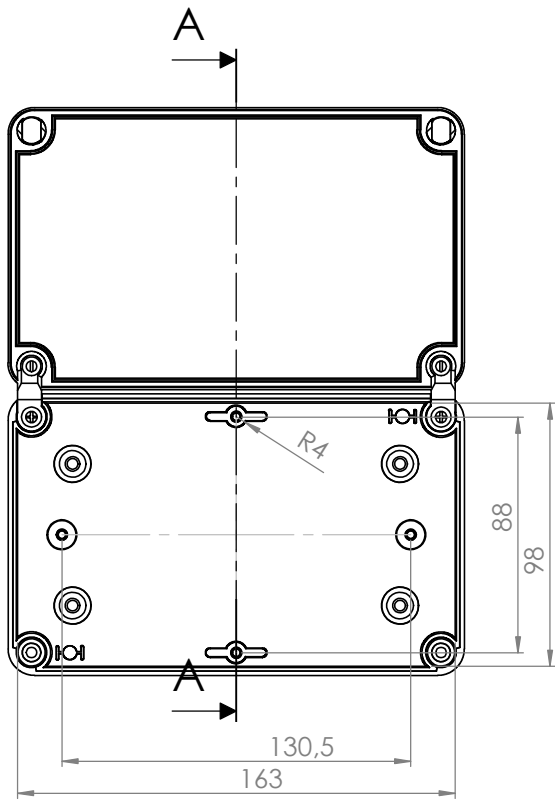
170 mm x 105 mm x 85 mm

Can be attached to a wall.

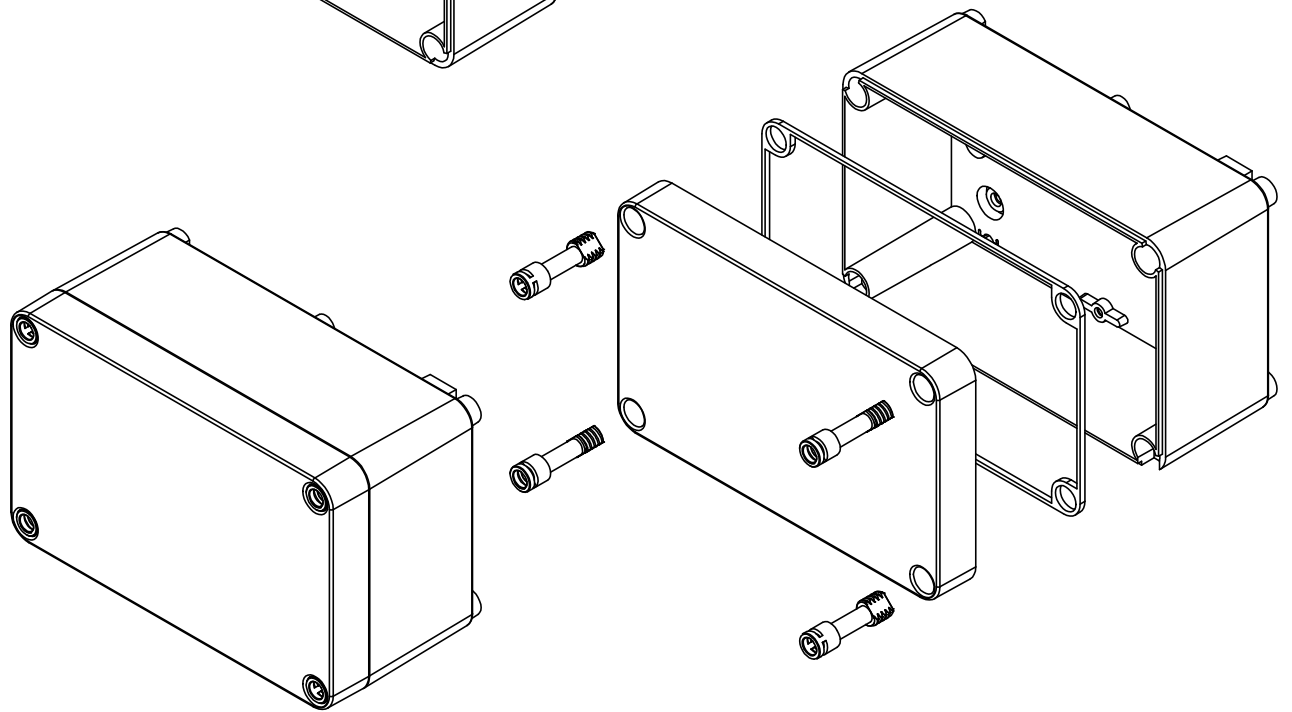
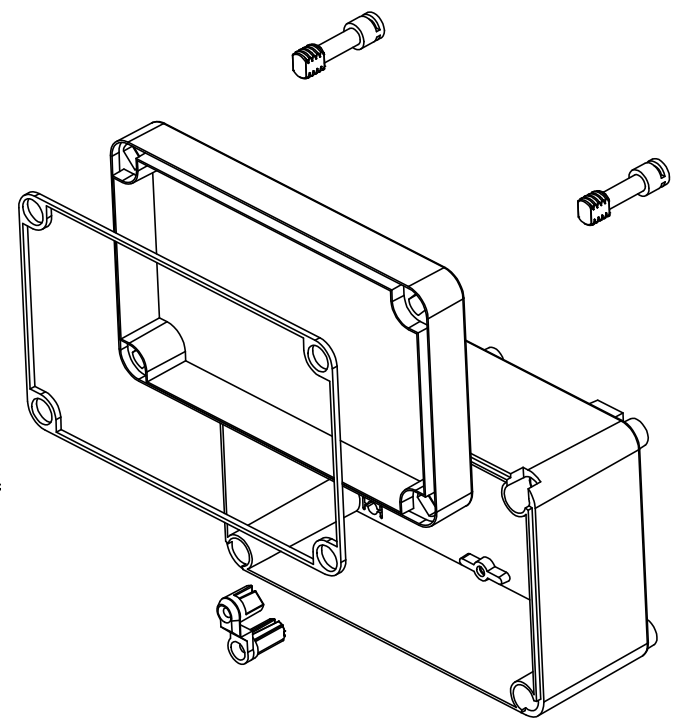
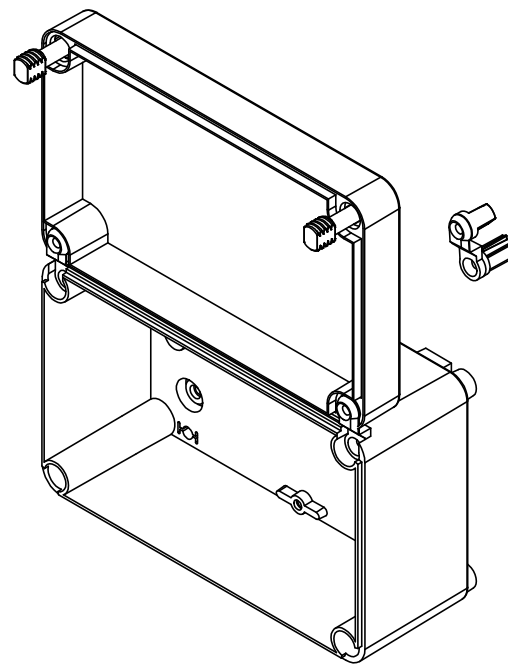
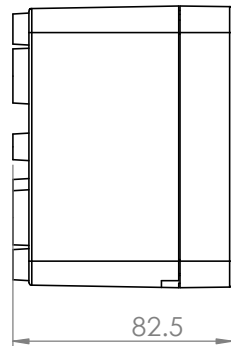
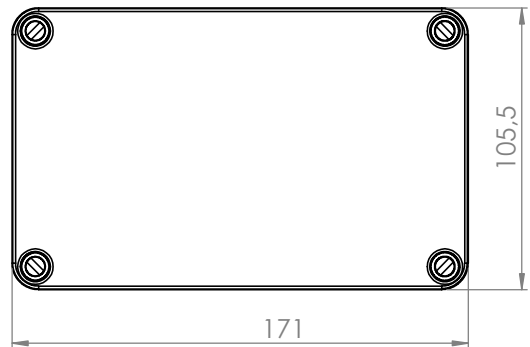
4 screws or loking, or 2 screws and hinges.

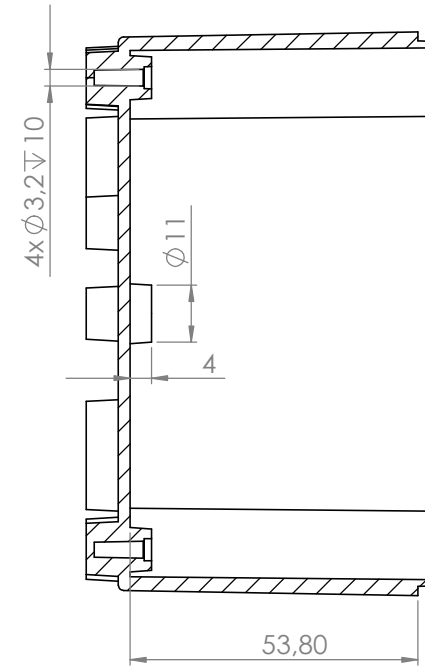
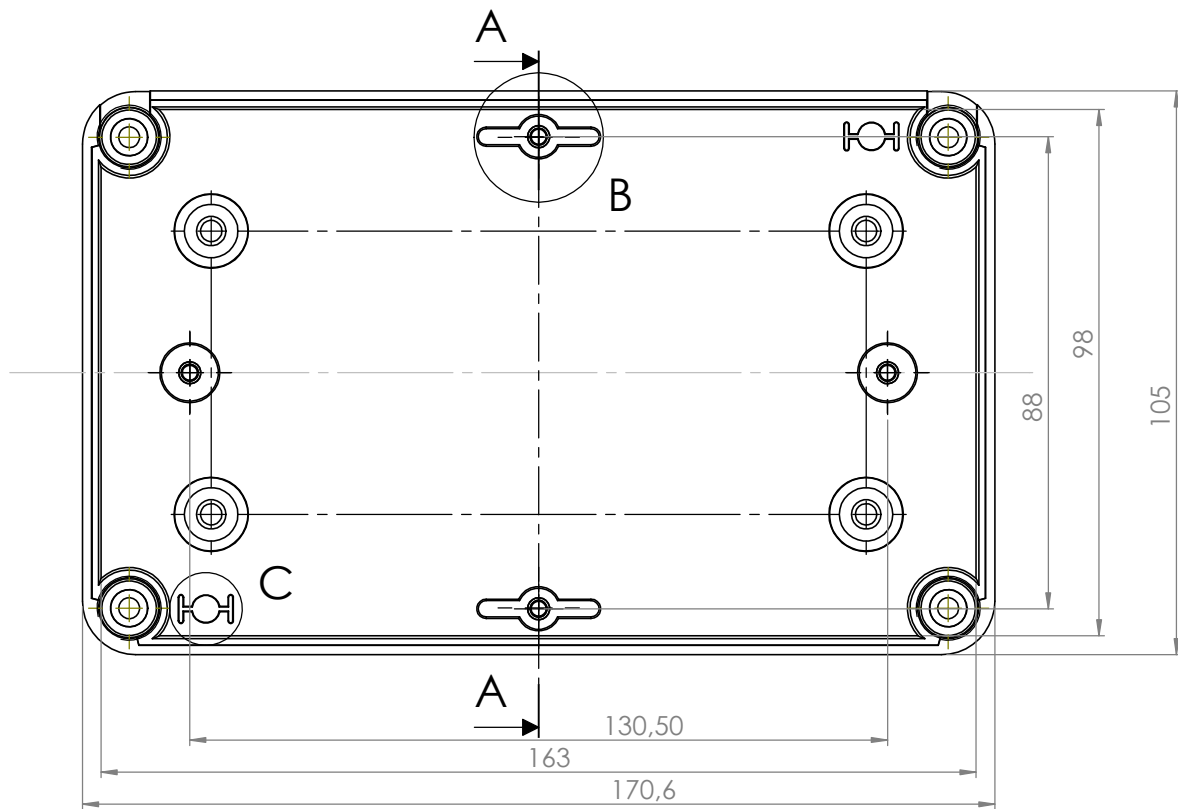
The set includes: base, top, sealing, 4 screws, 2 hinges, 2 taps



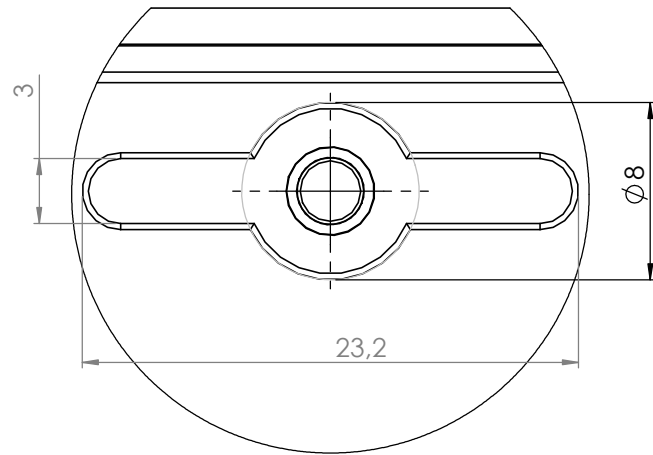


SECTION A-A

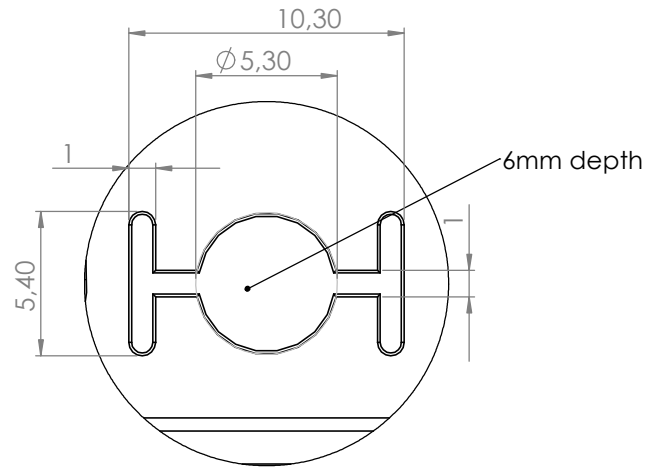




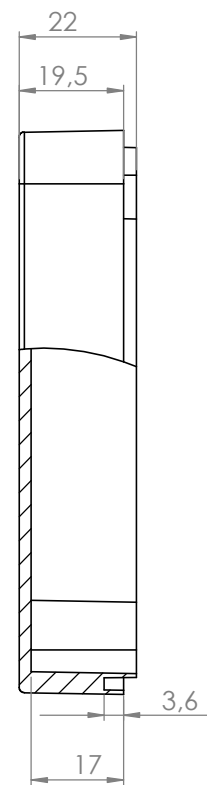
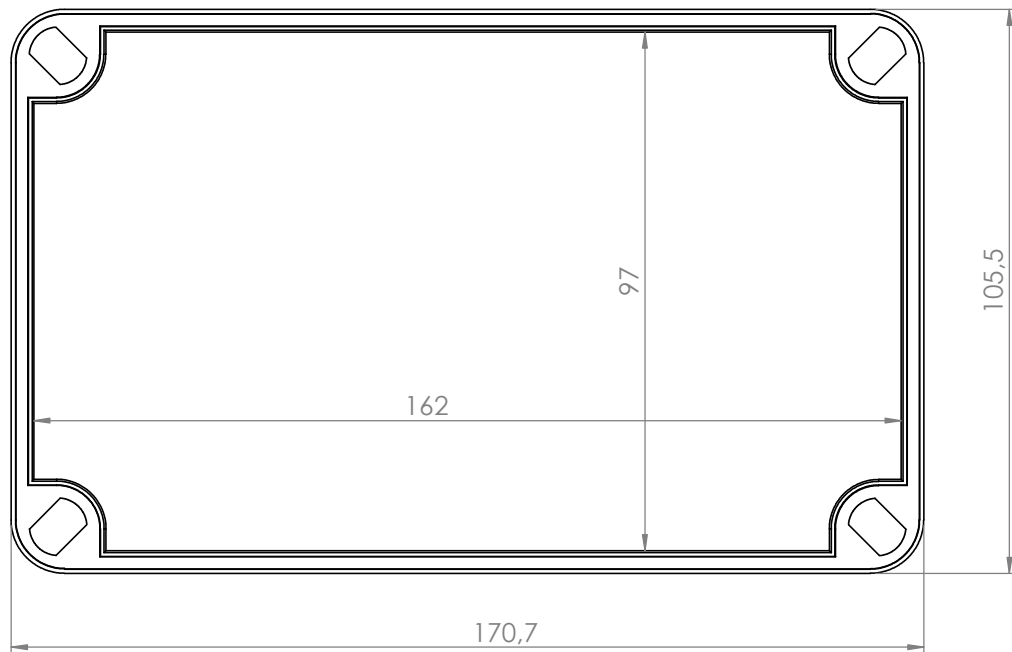
SECTION A-A
SCALE 1 : 1

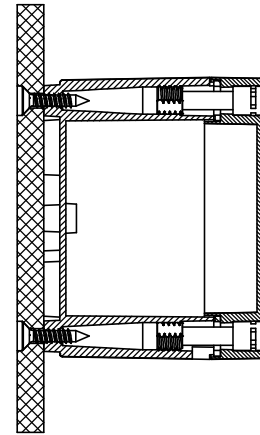
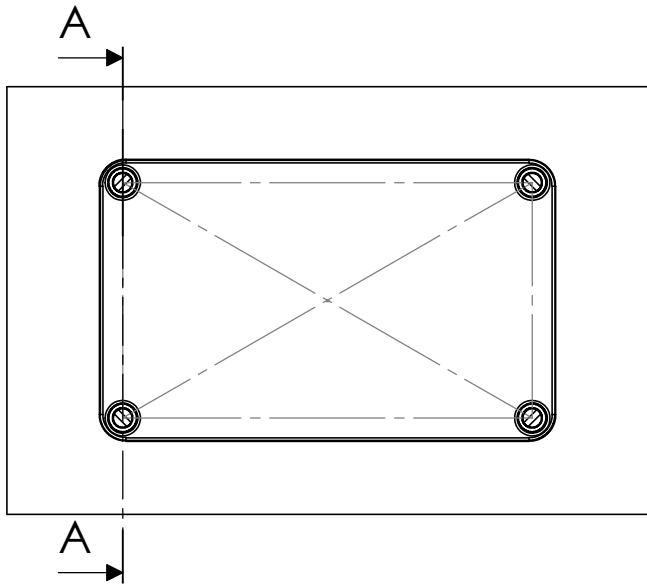
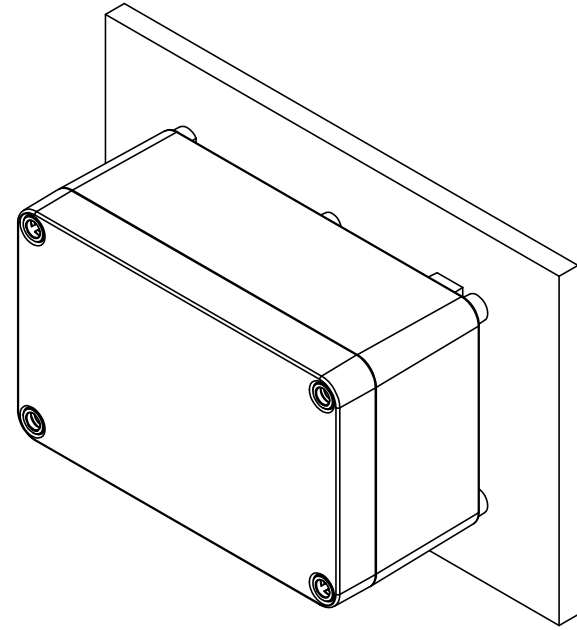
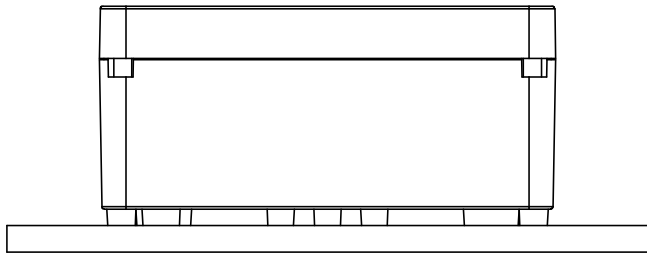


DETAIL B
SCALE 4 : 1



DETAIL C
SCALE 5 : 1





SECTION A-A