

Enclosure: TSJB, IP68 Junction box

Model: TSJB707050 TB

Description: Junction box 70x70x50mm.

Color: Black, White, PC Bone

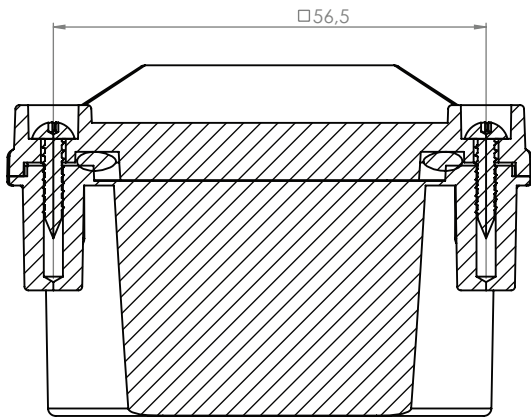
Protection class: IP68, UL94 V1

Enclosure material: ABS plastic, UV Stabilized

Scope of delivery: enclosure, top and bottom part; seal; 4 screws

Features: suitable for electrical installations with high protection class





SECTION B-B  
SCALE 2:1

