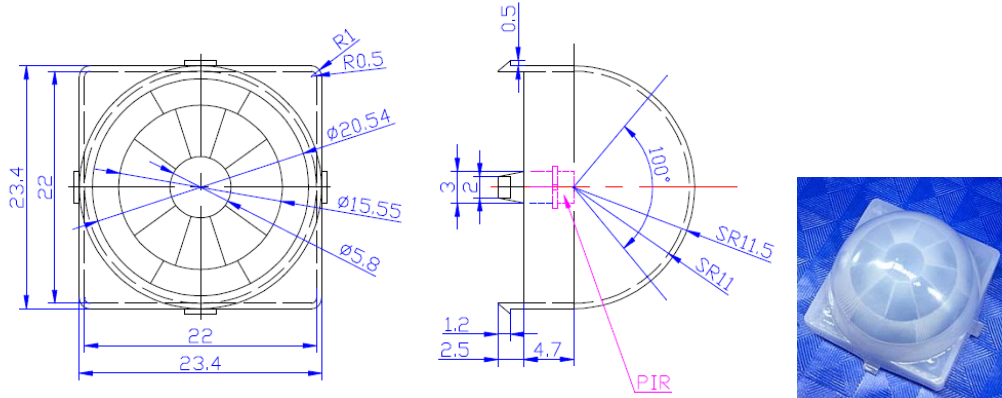


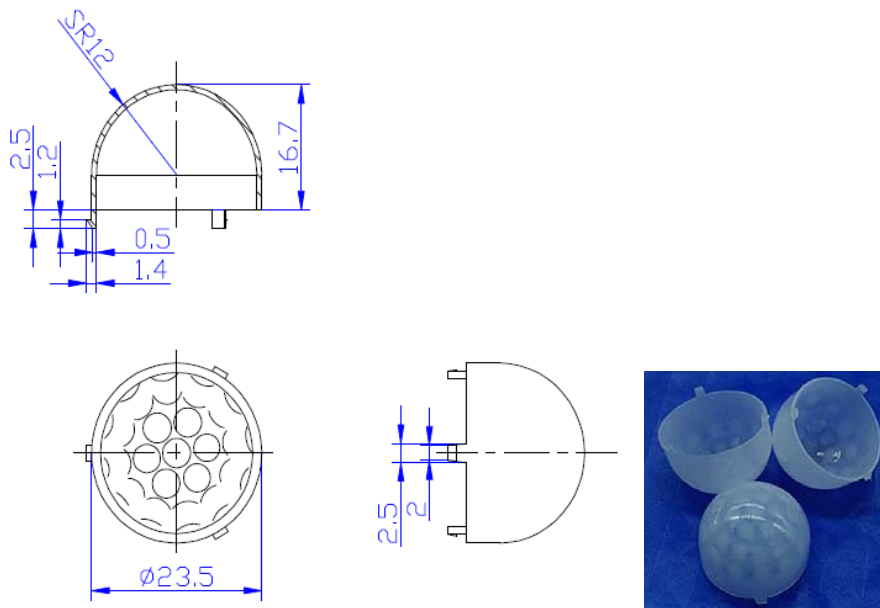
Fresnel lens

FFL-D24H16LST



Focal Length	Induction Angle	Induction Distance	Material	Unit Type	
10.5mm	100°	10m	HDPE	mm	PIR

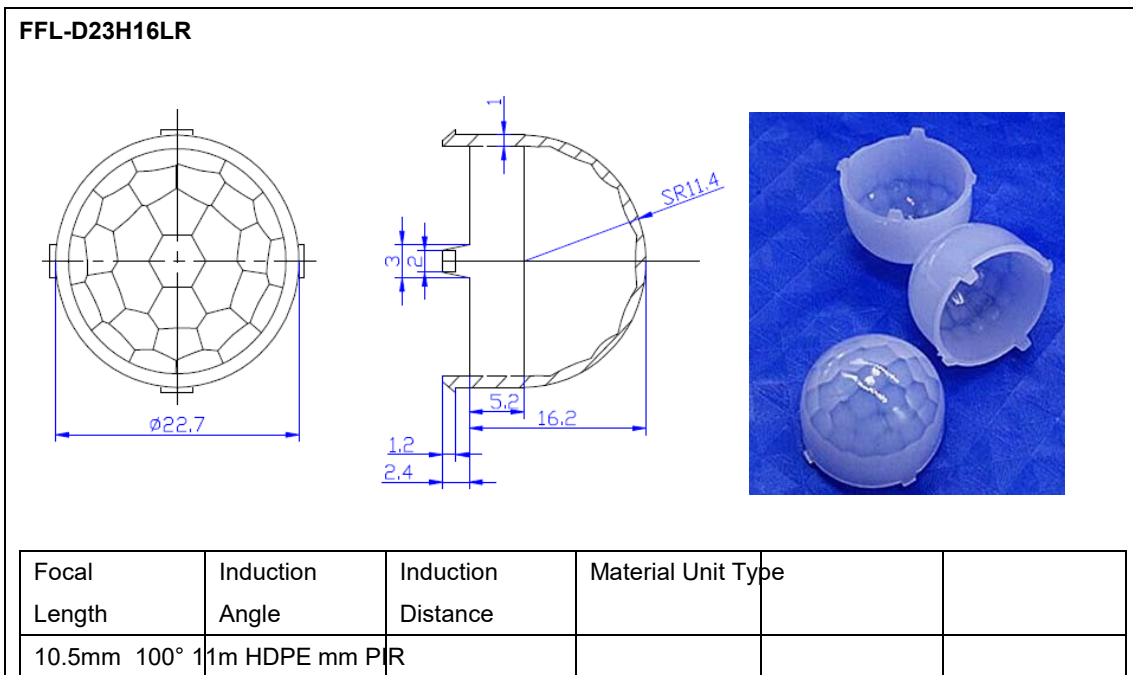
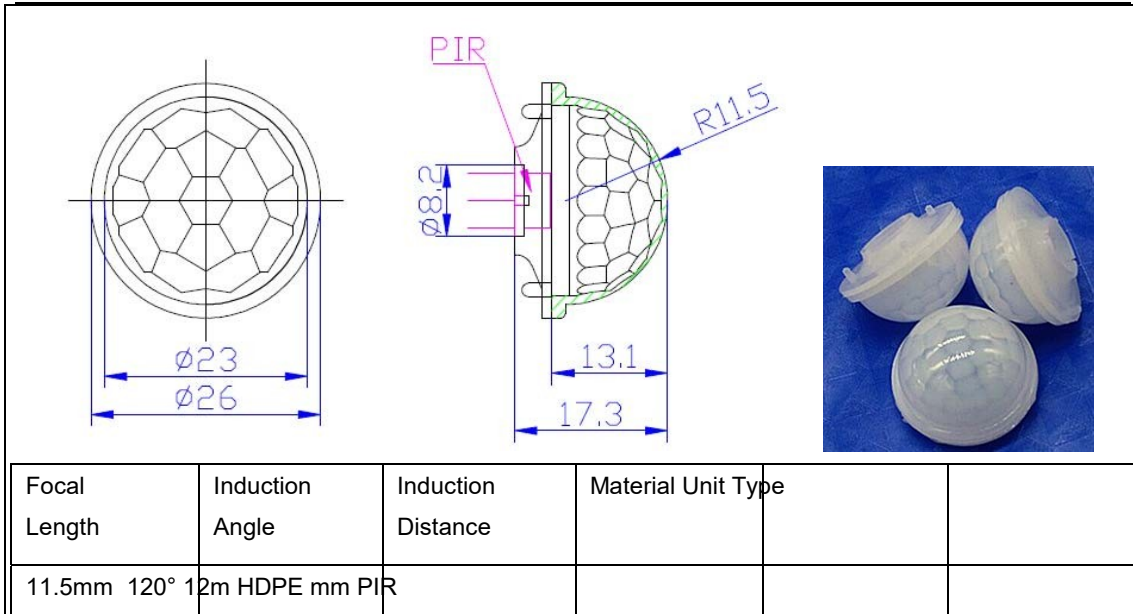
FFL-D24H17LR



Focal Length	Induction Angle	Induction Distance	Material	Unit Type	
12mm	120°	9m	HDPE	mm	PIR

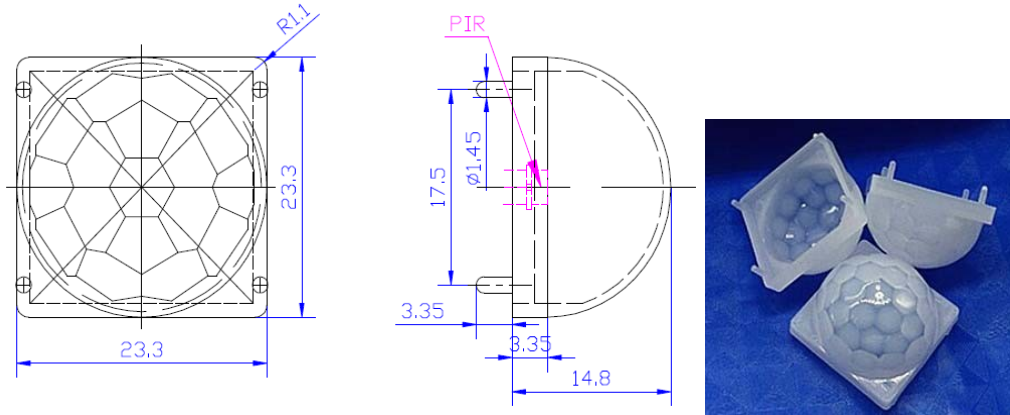
FFL-D23H17LRP

Fresnel lens



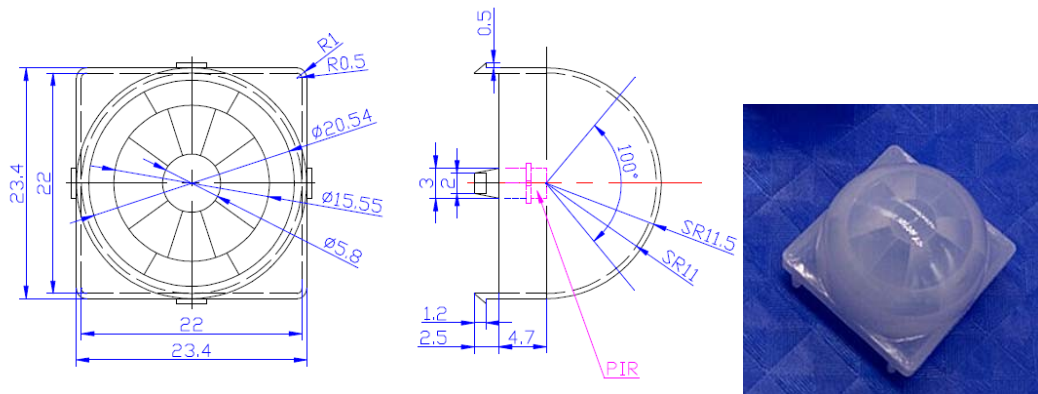
Fresnel lens

FFL-D23H15LS



Focal Length	Induction Angle	Induction Distance	Material	Unit Type	
10.5mm	110°	11m	HDPE	mm PIR	

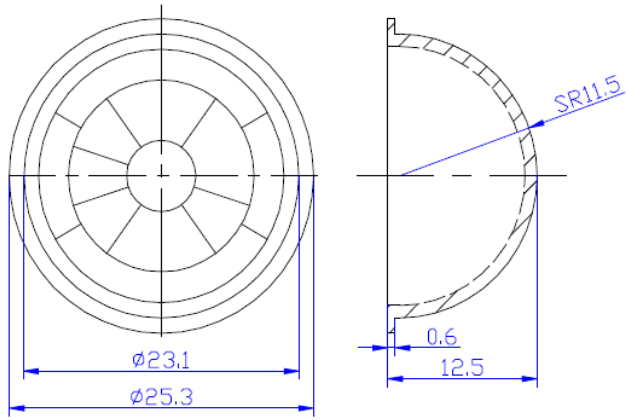
FFL-D23H15LST



Focal Length	Induction Angle	Induction Distance	Material	Unit Type	
10.5mm	120°	12m	HDPE	mm PIR	

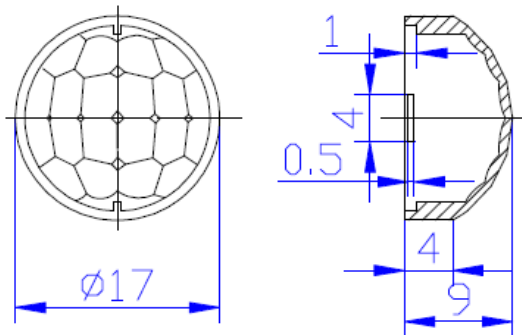
Fresnel lens

FFL-D23H12R



Focal Length	Induction Angle	Induction Distance	Material	Unit Type	
10.5mm	120°	12m	HDPE mm PIR		

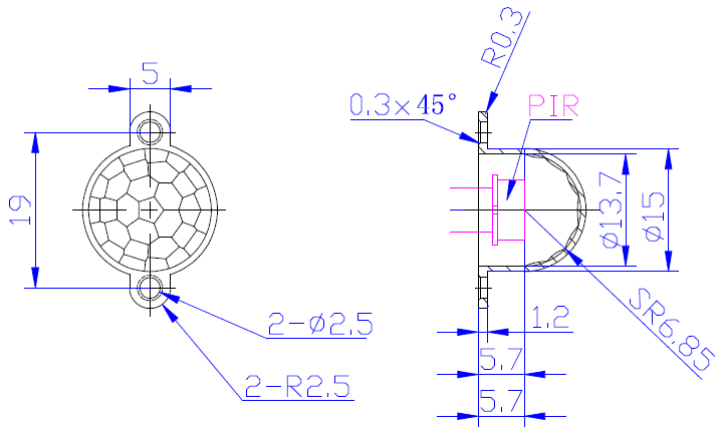
FFL-D17H9R



Focal Length	Induction Angle	Induction Distance	Material	Unit Type	
5mm	100°	6m	HDPE mm PIR		

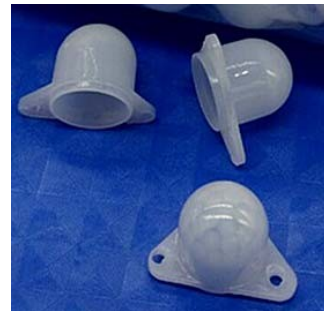
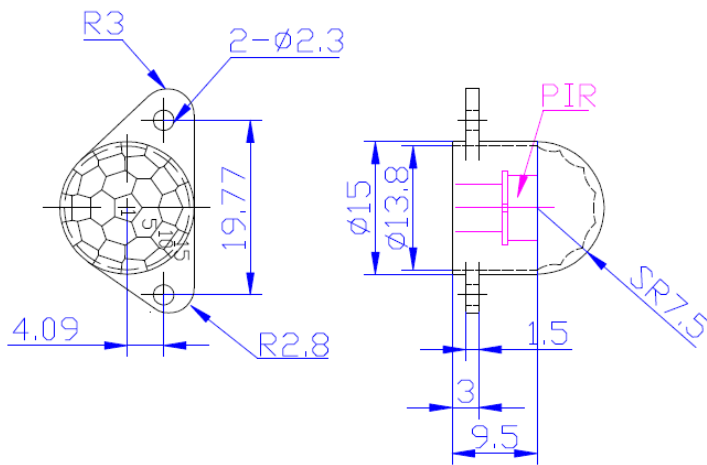
Fresnel lens

FFL-D15H13RE



Focal Length	Induction Angle	Induction Distance	Material	Unit Type		
7.5mm	120°	6m	HDPE	mm	PIR	

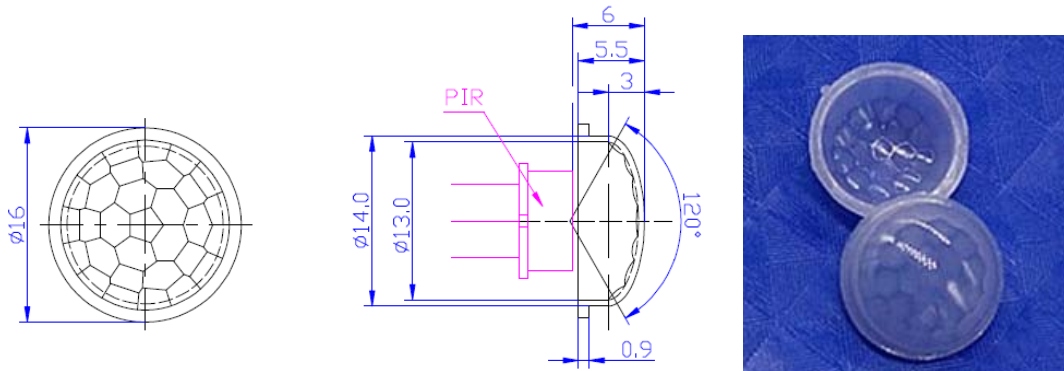
FFL-D15H17RE



Focal Length	Induction Angle	Induction Distance	Material	Unit Type		
7.5mm	120°	6m	HDPE	mm	PIR	

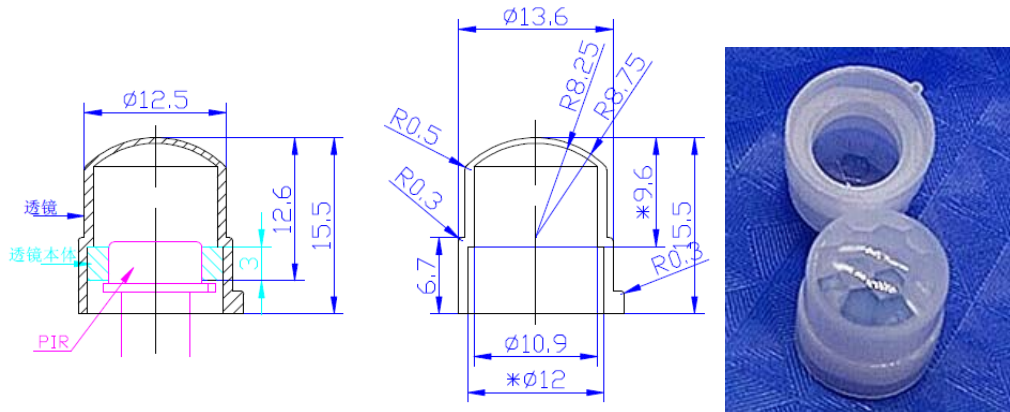
Fresnel lens

FFL-D14H6R



Focal Length	Induction Angle	Induction Distance	Material	Unit Type	
6mm	120°	5m	HDPE mm PIR		

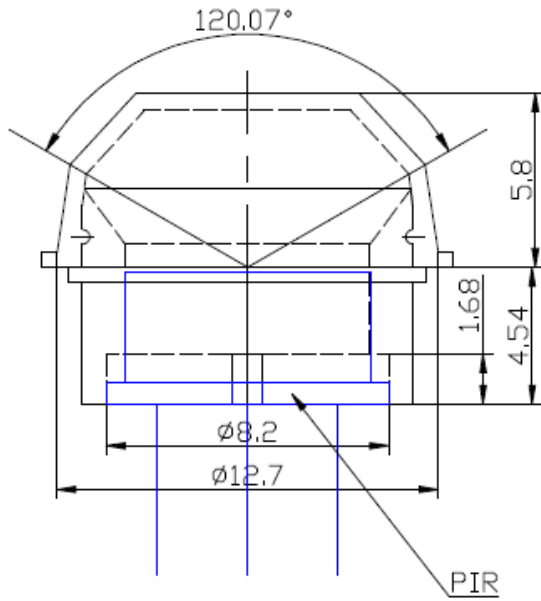
FFL-D12H15R



Focal Length	Induction Angle	Induction Distance	Material	Unit Type	
9.6mm	90°	6m	HDPE mm PIR		

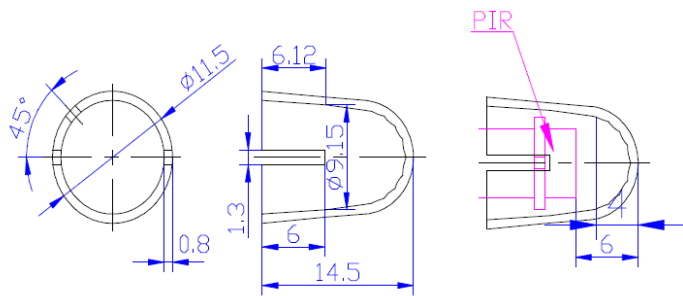
Fresnel lens

FFL-D12H11R



Focal Length	Induction Angle	Induction Distance	Material	Unit Type	
6mm	120°	5m	HDPE	mm PIR	

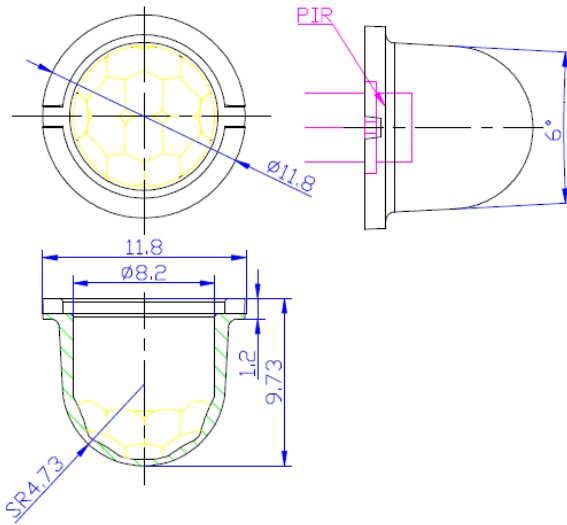
FFL-D10H15R



Focal Length	Induction Angle	Induction Distance	Material	Unit Type	
6mm	120°	5m	HDPE	mm PIR	

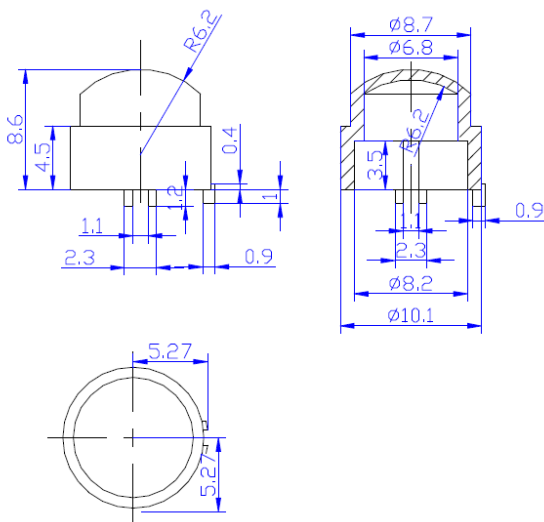
Fresnel lens

FFL-D10H10R



Focal Length	Induction Angle	Induction Distance	Material	Unit Type	
5mm	120°	6m	HDPE mm	PIR	

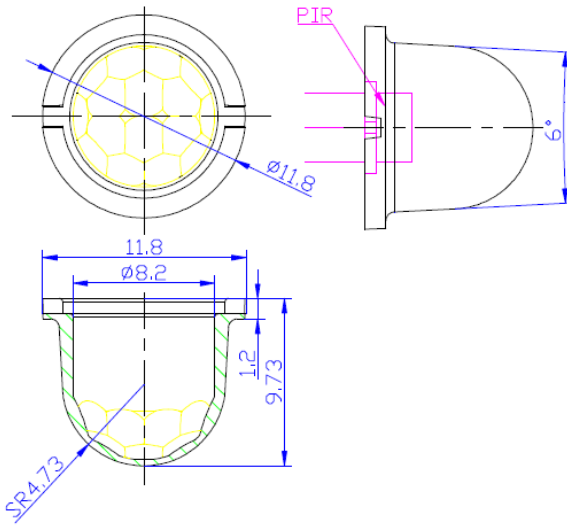
FFL-D9H9LR-B



Focal Length	Induction Angle	Induction Distance	Material	Unit Type	
5.2mm	120°	6m	HDPE mm	PIR	

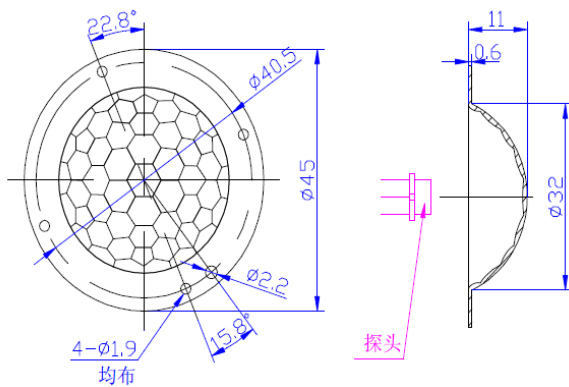
Fresnel lens

FFL-D10H10R



Focal Length	Induction Angle	Induction Distance	Material Unit Type		
5mm	120°	6m	HDPE mm PIR		

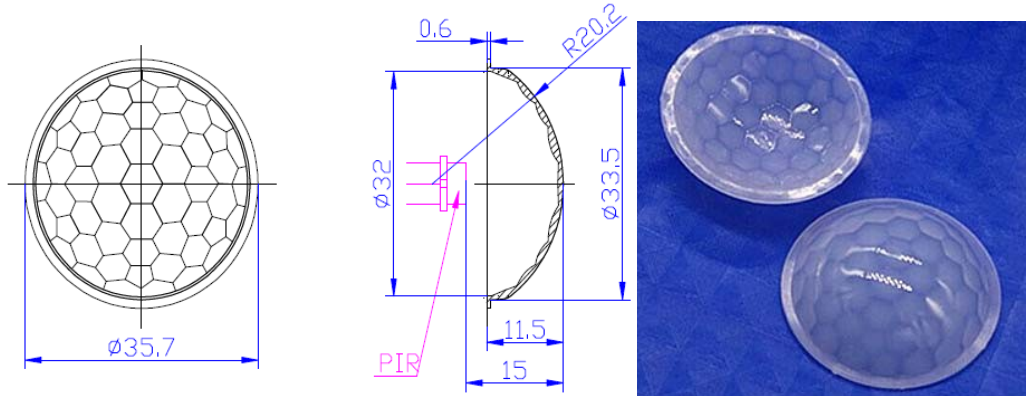
FFL-D32H11RE



Focal Length	Induction Angle	Induction Distance	Material Unit Type		
17.5mm	360°	14m	HDPE mm PIR		

Fresnel lens

FFL-D32H11R



Focal Length	Induction Angle	Induction Distance	Material	Unit Type	
15mm	360°	10m	HDPE	mm PIR	

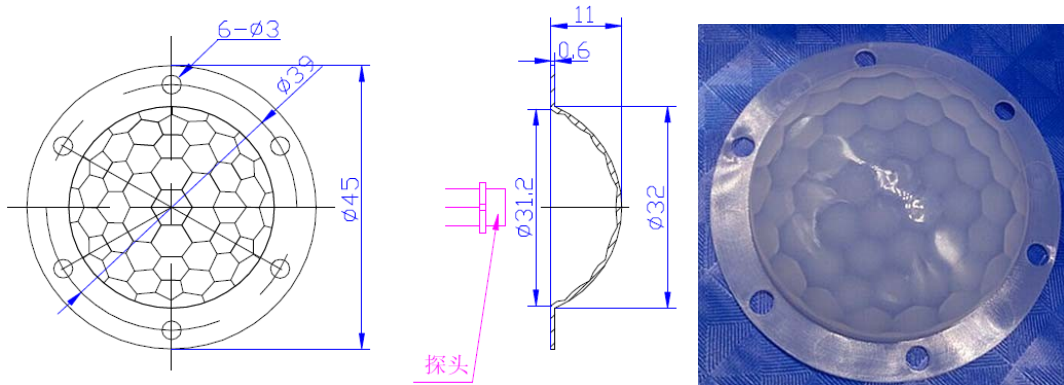
FFL-D33H12RE



Focal Length	Induction Angle	Induction Distance	Material	Unit Type	
17.5mm	360°	10m	HDPE	mm PIR	

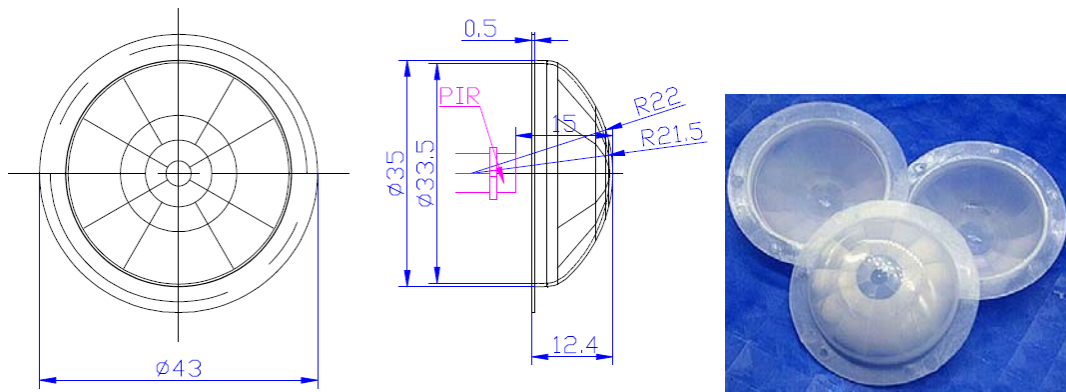
Fresnel lens

FFL-D35H12RE



Focal Length	Induction Angle	Induction Distance	Material	Unit	Type
17.5mm	360°	14m	HDPE	mm	PIR

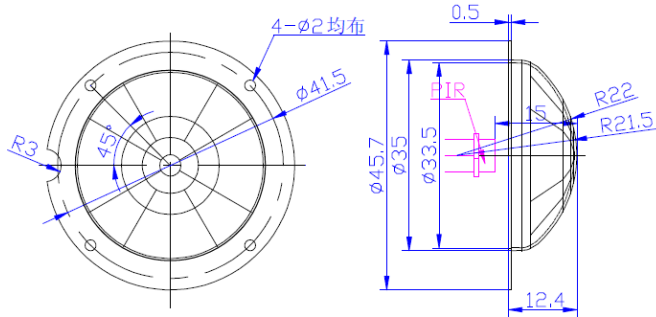
FFL-D34H12RE



Focal Length	Induction Angle	Induction Distance	Material	Unit	Type
15mm	360°	10m	HDPE	mm	PIR

Fresnel lens

FFL-D35H12RE1



Focal Length	Induction Angle	Induction Distance	Material	Unit	Type
15mm	360°	10m	HDPE mm	PIR	

FFL-D23H17LR



Focal Length	Induction Angle	Induction Distance	Material	Unit	Type
11mm	120°	10m	HDPE mm	PIR	

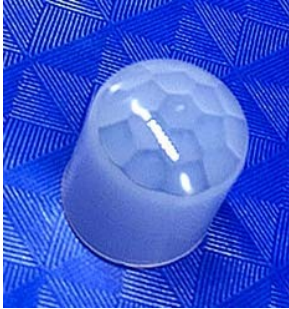
FFL-D14H4S



Focal Length	Induction Angle	Induction Distance	Material	Unit	Type
12mm	70°	4m	HDPE mm	PIR	

Fresnel lens

FFL-D13H14R



Focal Length	Induction Angle	Induction Distance	Material	Unit Type		
9.6mm	90°	6m	HDPE	mm	PIR	

FFL-D9H7R



Focal Length	Induction Angle	Induction Distance	Material	Unit Type		
4mm	120°	5m	HDPE	mm	PIR	