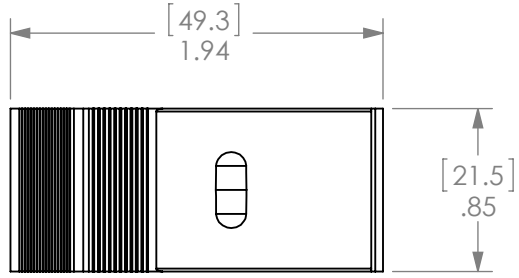
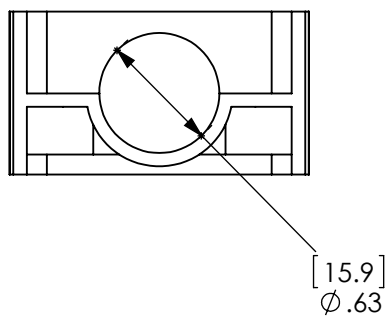
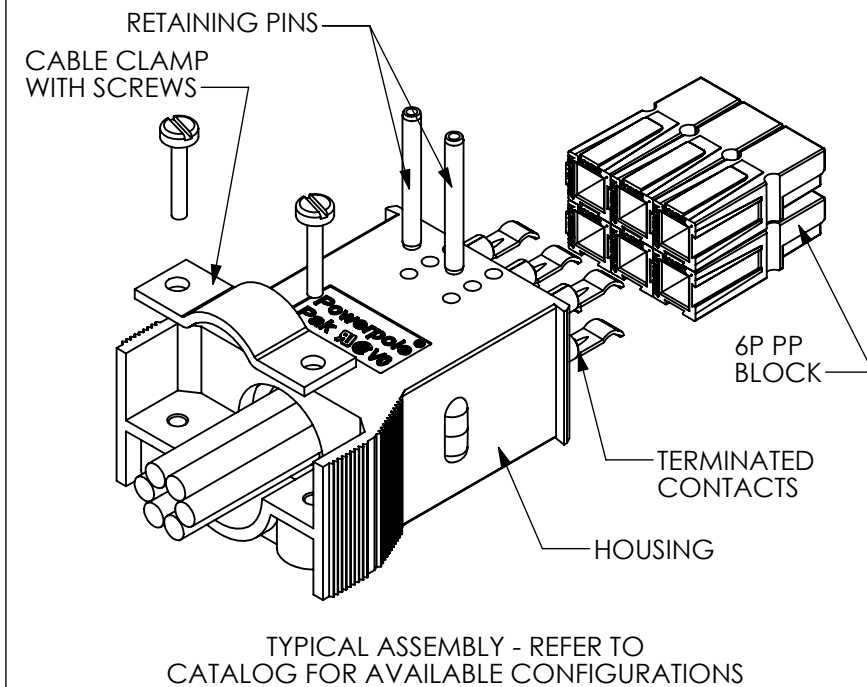
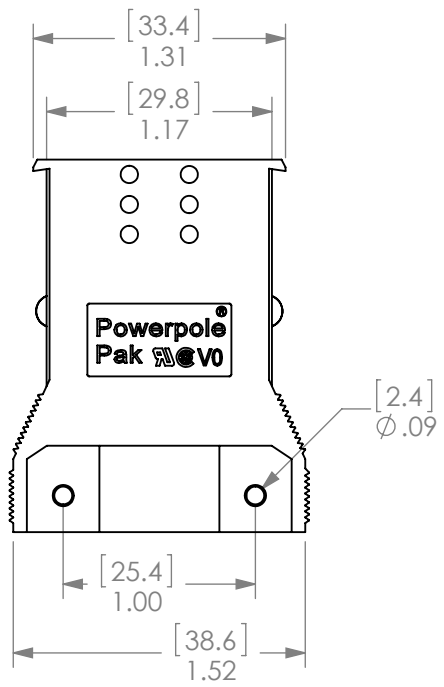


THE INFORMATION CONTAINED IN THIS DRAWING IS THE SOLE PROPERTY OF ANDERSON POWER PRODUCTS. ANY REPRODUCTION IN PART OR WHOLE WITHOUT THE WRITTEN PERMISSION OF ANDERSON POWER PRODUCTS IS PROHIBITED.

**Copyright 1999**

ANDERSON POWER PRODUCTS RESERVES THE RIGHT TO ALTER PRODUCT TYPES, THEIR TECHNICAL DATA, DIMENSION, STYLE AND ACCESSORIES WITHOUT PRIOR NOTIFICATION.



3	ECRN-15720 UPDATE DRAWING		9/23/2014
2	ECRN-15552 UPDATE DRAWING	TWE	1/17/2014
1	ECRN-13769 Ø.09 WAS Ø.08	DJD	12/16/04
REV.	DESCRIPTION	APPRV	DATE

REVISIONS

DIMENSIONS ARE IN:	INCH [MM]	<b>APPROVALS</b>			<b>ANDERSON POWER PRODUCTS</b>			
UNLESS OTHERWISE STATED		DRAWN	CMS		8/4/1999	TITLE		
TOLERANCES:		CHECKED	DJD	8/5/1999	CATALOG NUMBER			
DECIMALS (INCH)	DECIMALS (MM)	ANGLES	MFG APPRV	CHB	8/5/1999	1461G2		
.XX ± .02	.X ± .5	±2°	QC APPRV	UFN	8/13/1999	2X3 POWERPOLE PAK PLUG WITHOUT LATCH		
SURFACE FINISH:		ENG APPRV	RO	8/10/1999	SIZE	DWG NO.	REV.	
MACHINED	128µin [3.2µ]	MATERIAL:		A		114166S2	3	
MOLDED	64µin [1.6µ]	POLYCARBONATE		NONE		01092	1 OF 1	
FINISH:		NONE		-CAD GENERATED DRAWING- DO NOT MANUALLY UPDATE DO NOT SCALE		SCALE	SHEET	
NONE		NONE		NONE		01092	1 OF 1	