

PIR Sensor Module

General Description

HW8002 is a pyroelectric sensor module which developed for human body detection. A PIR detector combined with a fresnel lens are mounted on a compact size PCB together with an analog IC, HW8002, and limited components to form the module. High level output of variable width is Provided.

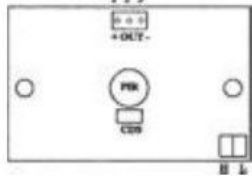
Features

- Compact size (24 x 32 mm)
- Wide range of operation voltage 4-12V
- Special output pulse width can be requested
- TTL output can be directly connected to micro controller or logic device
- High sensitivity
- High RFI immunity
- Power up delay 25sec

Datasheet

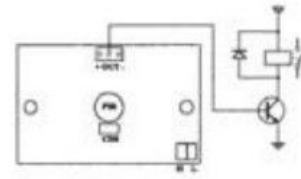
Model no	HW8002	
Operation Voltage	DC4V-12V	
Current Drain:	<50 uA	
Output voltage	High 3.3V Low 0V	Can be add as customer requirement
Delay time	1-200S	Can be add as customer requirement
Trigger Way	reactive triggering	
Detection distance	2 5 8 10 M	Can be add as customer requirement
Detection angle	40/60/90/120°	Can be add as customer requirement
Operation Temperature	-20° C ~ +70° C	
Dimension	7*24*32mm	
TTL Output:	TTL Output can be directly connected to micro-controller or logic device	
Light Sensor:	CdS(Can be add as customer requirement)	

外接示意:

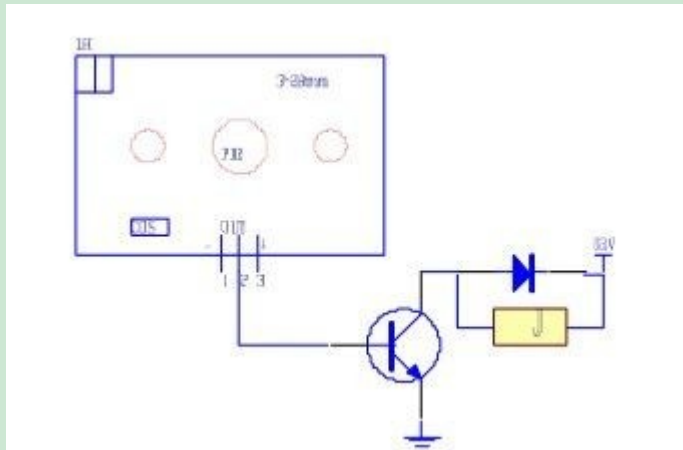


- 1.电源正极;
 - 2.高电平输出;
 - 3.电源负极;
- H:可重复触发;
L:不可重复触发;
CDS:光敏控制

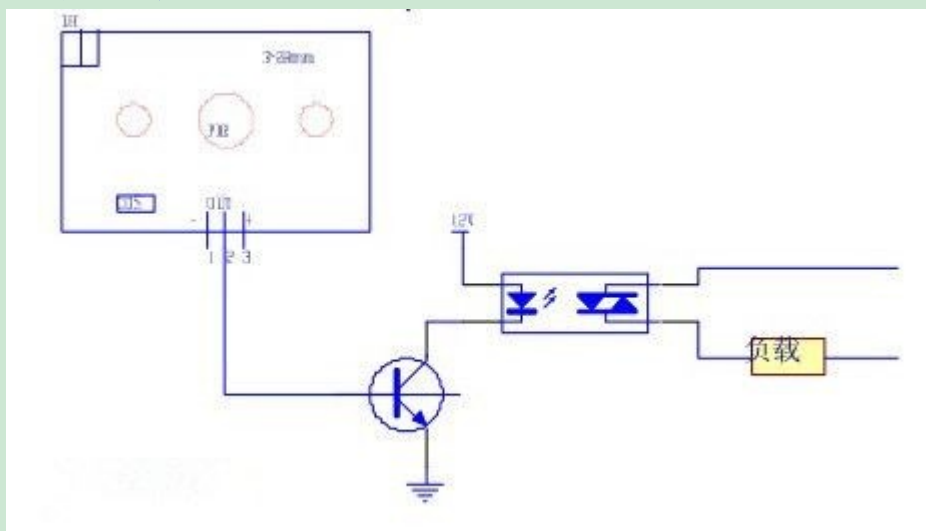
典型应用:



直流负载线路



交流负载线路



Note:

Due to the high sensitivity of PIR sensor device, it is not recommended to use the module in the following or similar condition.

- A) In rapid environmental changes
- B) In strong shock or vibration
- C) In a place where there are obstructing material (eg. glass) through which IR cannot pass within detection area.
- D) Exposed to direct sun light
- E) Exposed to direct wind from a heater or air conditioner.

