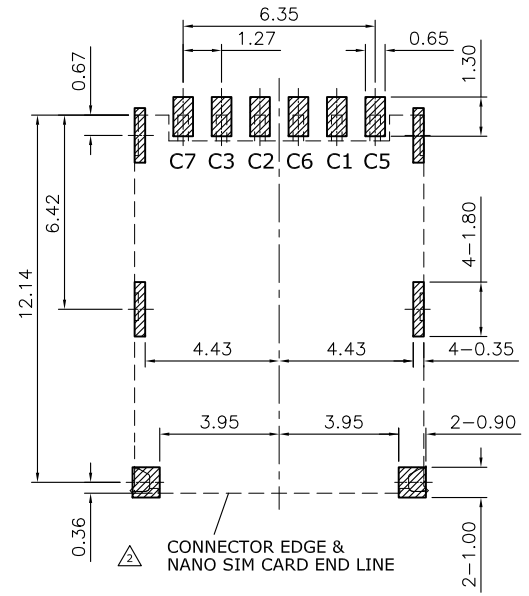
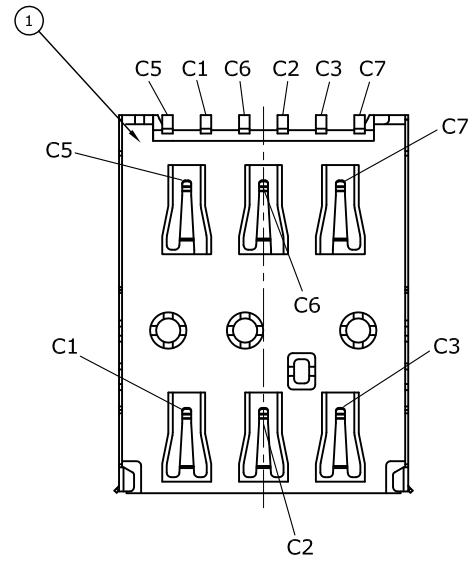
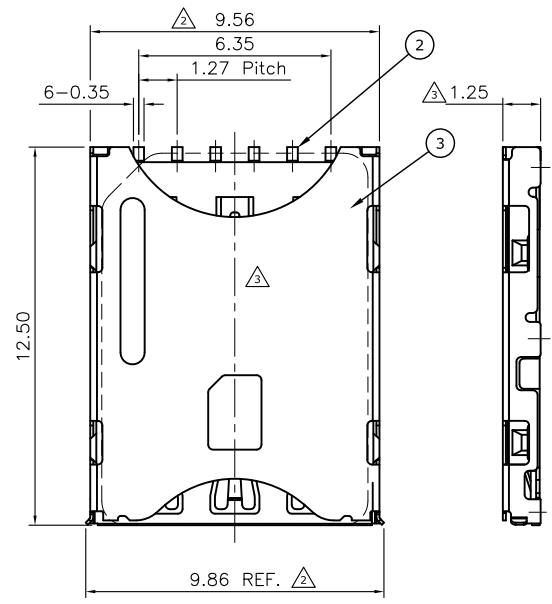


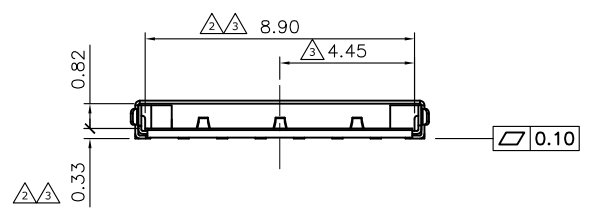
REV.	DESCRIPTION	DRAWN	DATE
1	INITIAL RELEASE	FROS	2015/01/30
2	REVISED SLOT DIMENSIONS, DATE CODE	FROS	2015/03/13
3	Revised dims, removed datecode	FROS	2017/04/25



SIM CARD PIN ASSIGNMENT

PIN	ASSIGNMENT
C1	Vcc
C2	RST
C3	CLK
C4	Reserved
C5	GND
C6	Vpp
C7	I/O
C8	Reserved

RECOMMENDED LAYOUT  
GENERAL TOLERANCE: ±0.05

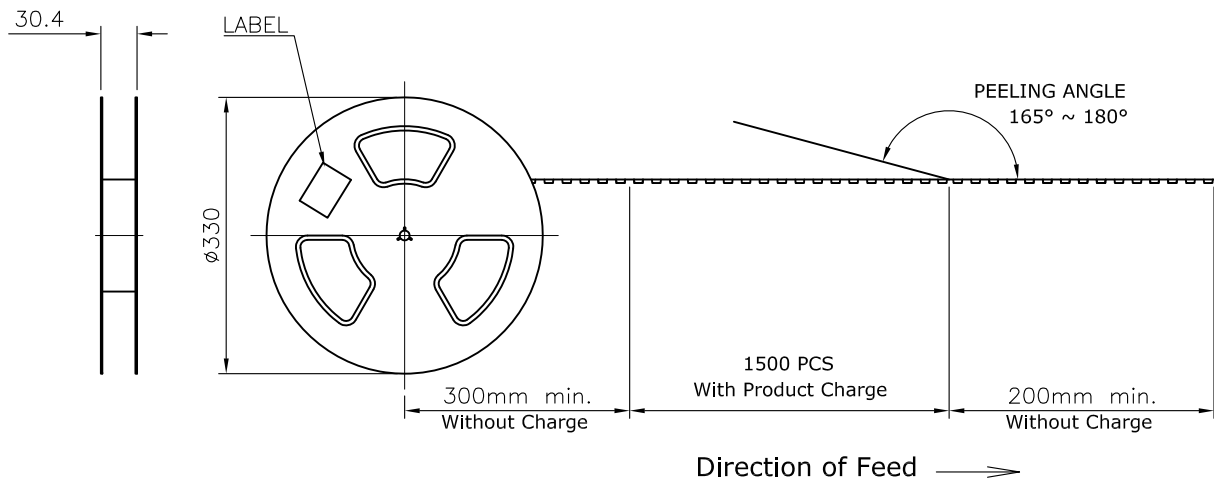


3	SHELL	SUS304-H, 0.12T, Au/ Ni PLATING	
2	TERMINAL	C5210-EH, 0.12T, Au 5u" PLATING	
1	HOUSING	LCP GF30%, UL94V-0, BLACK	
NO.	PART NAME	DESCRIPTION	
UNLESS OTHERWISE SPECIFIED TOLERANCE			
UNIT:	DECIMAL	LINEAR	ANGLES
	mm	X.	±0.50 ±5°
		X.X	±0.25 ±3°
		X.XX	±0.12 ±1°
DRAWN: Fros 2015/01/30			
DRAWN NAME: 6P Nano SIM Socket, Push-Pull Type, 1.2H			
CHECKED	Ron	2015/01/30	
APPROVED	Albert	2015/01/30	
SCALE	SHEET	SIZE	FILE NAME
4/1	1/1	A4	NSIM001-A_B_3



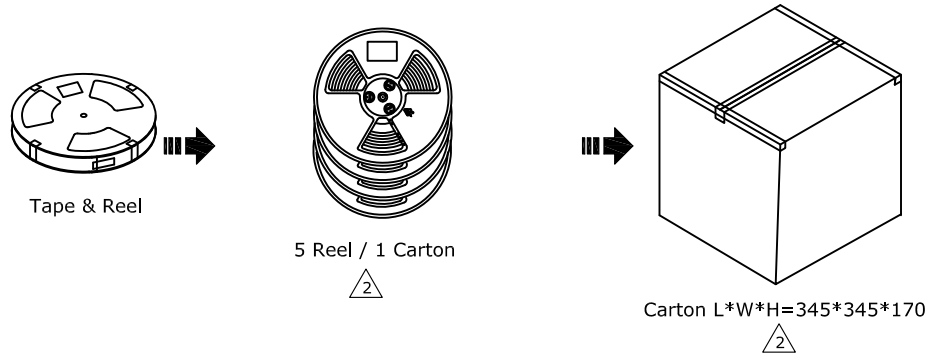
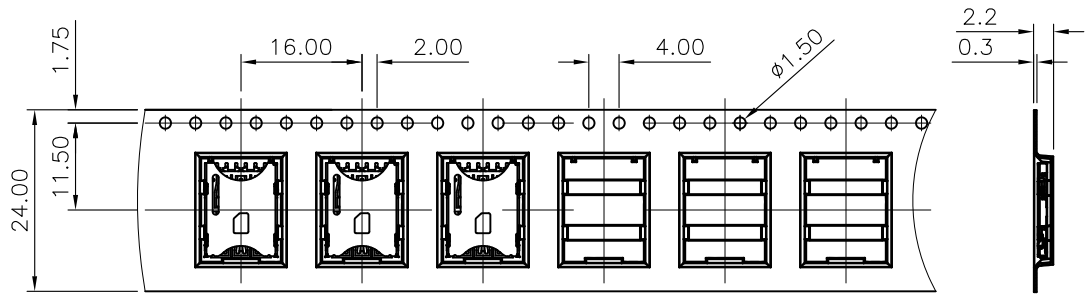
WWW.ATTEND.COM.TW


REV.	DESCRIPTION	DRAWN	DATE
1	INITIAL RELEASE	FROS	2015/03/13
2	Revised packing	FROS	2017/04/25



### PACKAGING SPECIFICATION:

1. MATERIAL
  - 1.1 Embossed Carrier Tape: PS Black
  - 1.2 Top Cover Tape: PET  
20-80g(Peel Speed 300mm/Minute)
  - 1.3 Taping Reel: PS Blue
2. PACKING
  - 2.1 Quantity:
    - 1,500 Piece/Reel
    - 5 Reel/ Carton
    - 7,500 Piece/Carton



UNLESS OTHERWISE SPECIFIED TOLERANCE					
UNIT:	DECIMAL	LINEAR	ANGLES		
mm	X.	±0.50	±5°	WWW.ATTEND.COM.TW	
	X.X	±0.25	±3°		
	X.XX	±0.12	±1°		
DRAWN	Fros	2015/03/13	DRAWN NAME:		
CHECKED	Ron	2015/03/13	6P Nano SIM Socket, Push-Pull Type, 1.2H		
APPROVED	Albert	2015/03/13	PRODUCT NO.	NSIM001-A	
SCALE	1/1	SHEET	1/1	SIZE	A4
			FILE NAME	NSIM001-A_D_2	