

REV.	DESCRIPTION	DRAWN	DATE
2	Revised P/N, Specification, BOM RELEASE	FROS	2014/10/30
3	Add dimensions, view, revised frame	FROS	2015/03/31
4	Change P/N	FROS	2017/02/22

△ SPECIFICATION:

1. ELECTRICAL
 - 1.1 Current Rating: 1A Max, 10u A Min.
 - 1.2 Voltage Rating: 50V Max
 - 1.3 Contact Resistance: 50mΩ
 - 1.4 Insulation Resistance: 1,000MΩ / 500V DC
 - 1.5 Dielectric Withstanding Voltage: 500V AC at 1 minute
2. MECHANICAL
 - 2.1 Durability: 5,000 Cycle Min.
 - 2.2 Press Force: 0.5N
3. ENVIRONMENTAL
 - 3.1 Operating temperature range: -40°C~+85°C
 - 3.2 Storage temperature range: -40°C~+85°C
4. SOLDER ABILITY
 - 4.1 Recommended IR-Reflow Temperature: 260°C 10Sec

△△ How to order

1 1 5 T - X E A 0

Pin count ↑

P/N	1 1 5 T - A E A 0	6 PIN
	1 1 5 T - B E A 0	8 PIN

6	Spring	Piano Wire
5	Hook	Stainless Steel
4	Shield	Phosphor Bronze, Gold Plating
3	Tray	PBT, Black
2	Contact	Phosphor Bronze, Gold Plating
1	Housing	LCP, UL94V-0, Black
NO.	PART NAME	DESCRIPTION

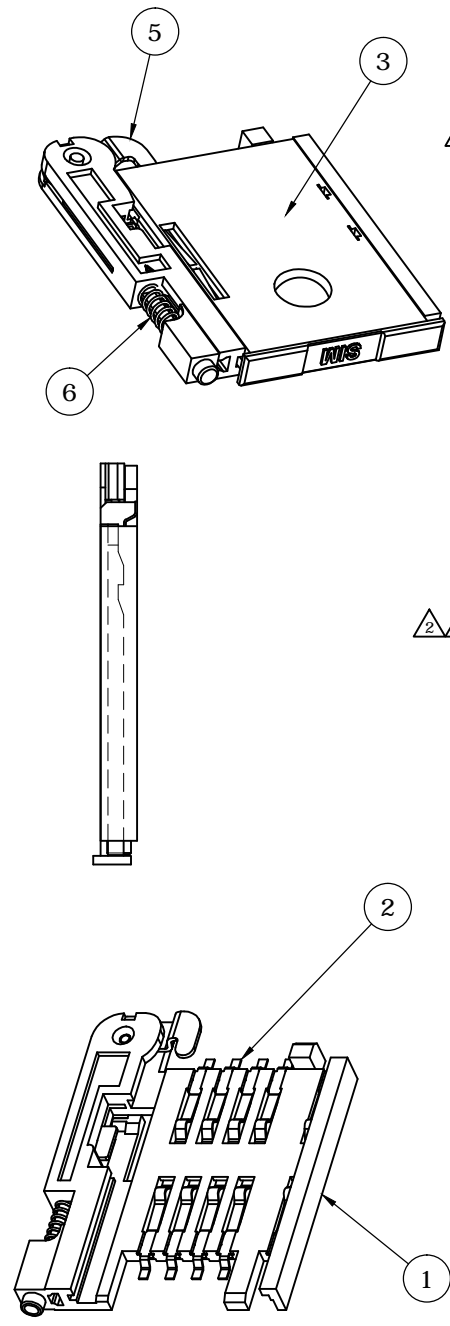
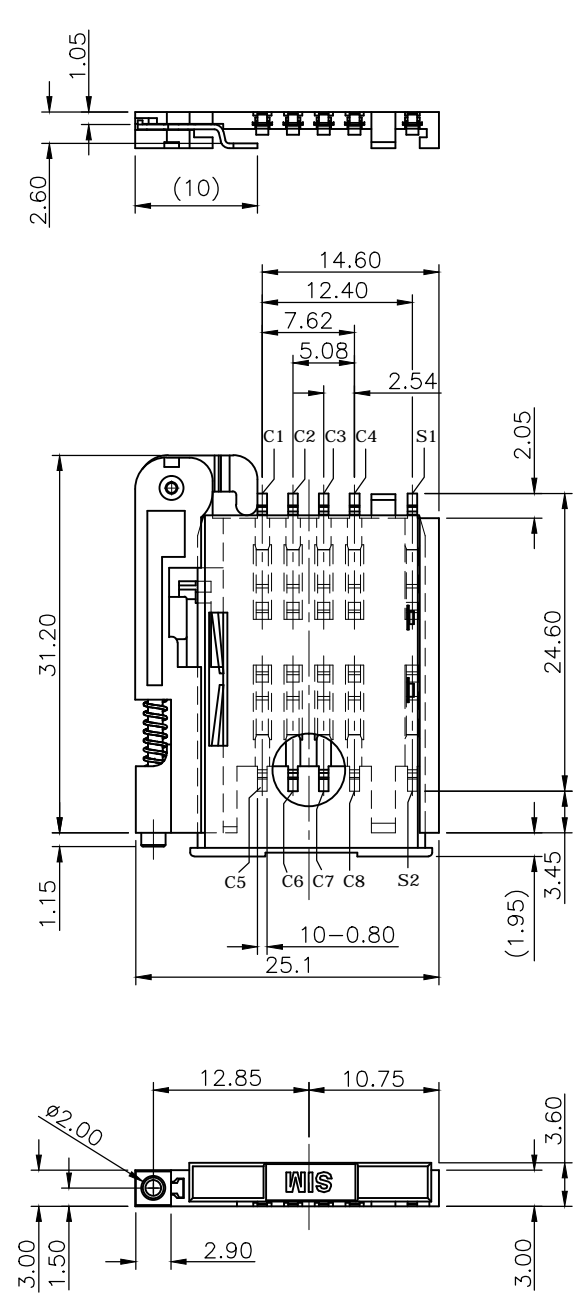
UNLESS OTHERWISE SPECIFIED TOLERANCE

UNIT:	DECIMAL	LINEAR	ANGLES
mm	X.	±0.50	±5°
	X.X	±0.25	±3°
	X.XX	±0.12	±1°

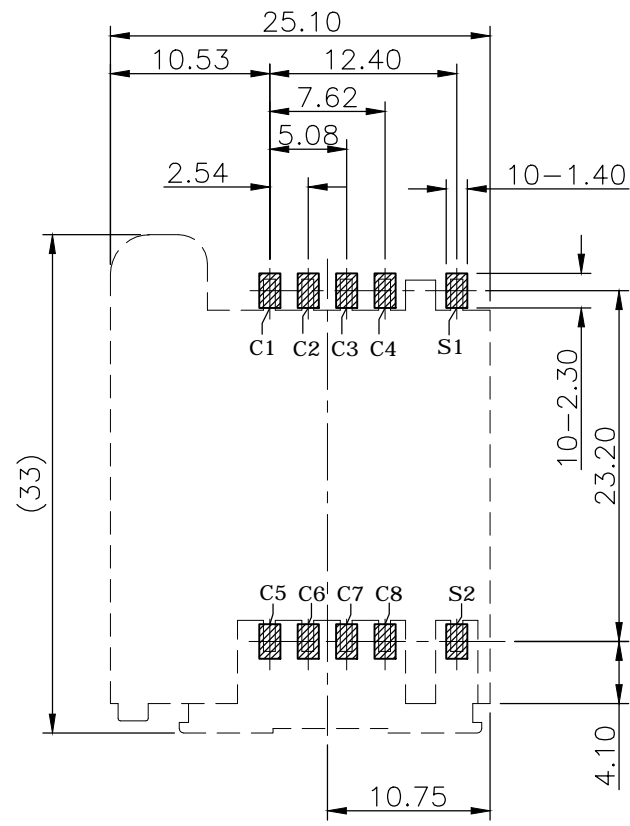


WWW.ATTEND.COM.TW

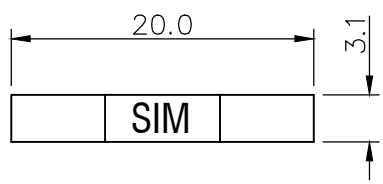
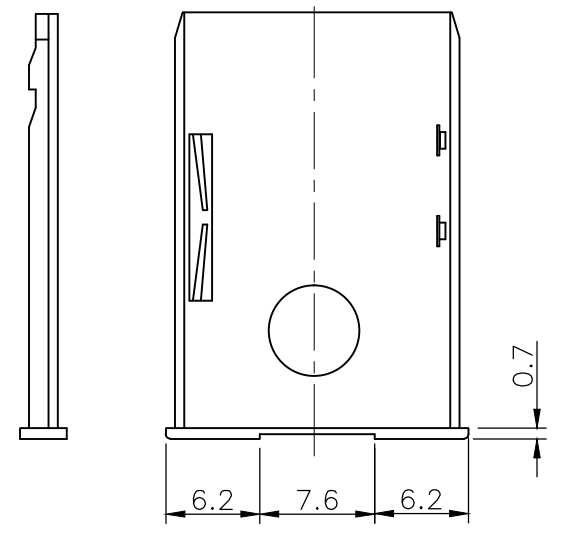
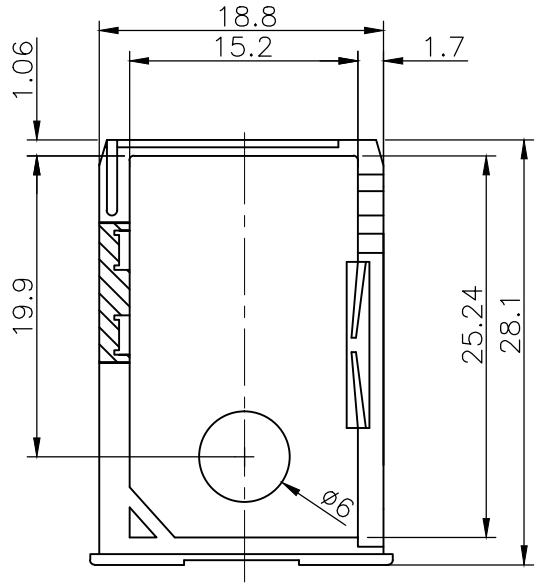
DRAWN	Willis	2014/08/15	DRAWN NAME:	
CHECKED	Angel	2014/08/15		SIM Card Socket, Bar Push w/Switch & Tray, 15u"
APPROVED	Ken	2014/08/15	PRODUCT NO.	see how to order
SCALE	1.6/1	SHEET	1/2	SIZE
				A4
FILE NAME			115T-XEA0_B_4	



REV.	DESCRIPTION	DRAWN	DATE
	SEE SHEET ONE		



RECOMMENDED LAYOUT (TOP VIEW)
GENERAL TOLERANCE: ±0.1mm



TRAY

SWITCH CIRCUIT	
When Tray is Ejected	When Tray is Inserted
OPEN	CLOSE
S1 S2	S1 S2

PIN OUT				
C1	C2	C3	C4	S1
Vcc	RST	CLK	NC	CD
C5	C6	C7	C8	S2
GND	Vpp	I/O	NC	SW

UNLESS OTHERWISE SPECIFIED TOLERANCE				
UNIT:	DECIMAL	LINEAR	ANGLES	
mm	X.	±0.50	±5°	
	X.X	±0.25	±3°	
	X.XX	±0.12	±1°	WWW.ATTEND.COM.TW
DRAWN	Willis	2014/08/15	DRAWN NAME: SIM Card Socket, Bar Push w/Switch & Tray, 15u"	
CHECKED	Angel	2014/08/15	PRODUCT NO. see how to order	
APPROVED	Ken	2014/08/15	FILE NAME 115T-XEA0_B_4	
	SCALE 2/1	SHEET 2/2	SIZE A4	