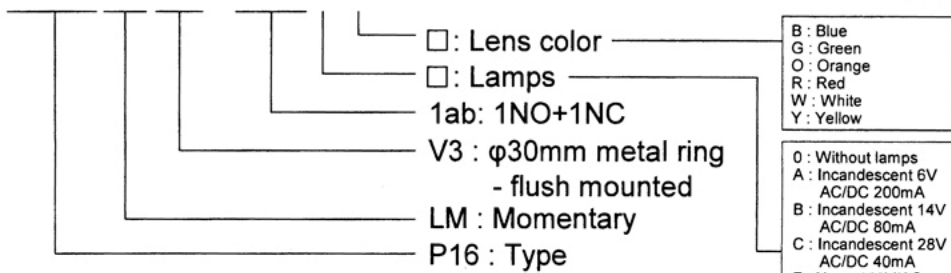


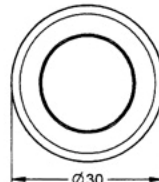
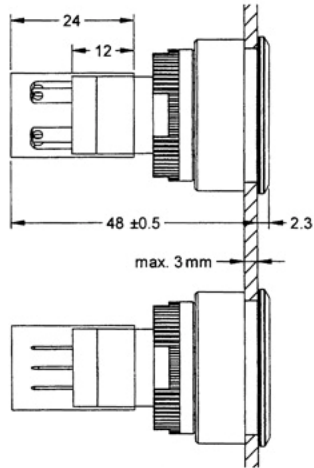
P16LMV3 - 1ab□□



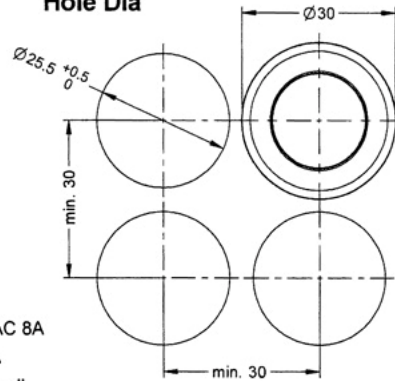
B	: Blue
G	: Green
O	: Orange
R	: Red
W	: White
Y	: Yellow

O	: Without lamps
A	: Incandescent 6V AC/DC 200mA
B	: Incandescent 14V AC/DC 80mA
C	: Incandescent 28V AC/DC 40mA
F	: Neon 110V/AC
G	: Neon 220V/AC
H	: LED 6V DC
J	: LED 12V DC
K	: LED 24V DC

Socket Type Pushbutton Switch



Hole Dia



Product Specifications

- Mechanical lifetime : >2 million operations
- Electric rating : 250V AC 5A(VDE) , 125V AC 8A
250V DC 0.2A 24V DC 6A
- Max. insulation voltage : 2000V 60HZ 1min. between all terminals and ground
- Motion tolerance : <60 operation/min
- Panel thickness : 0.5mm ~ 3mm
- Degree of protection : IP 65
- Storage temperature : -40°C to +85°C
- Operating temperature : -25°C to +55°C with lamp
-25°C to +70°C without lamp

All materials are lead free according to EU.