

# Product Specification

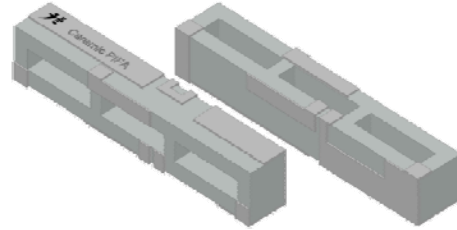


## Ceramic PIFA JPA892-1935A



### Feature

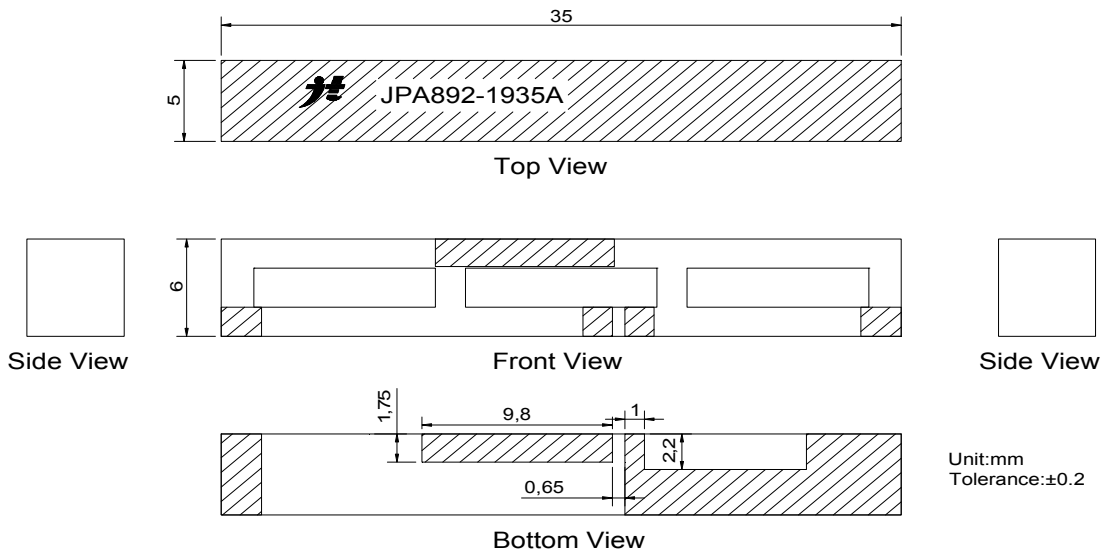
- Wide Band, Multi-Band
- Compact, High gain
- Customization available



### Electrical Specification

Frequency	824-960MHz & 1700-2170MHz
Return Loss	≥6 dB(depends on the special environment)
VSWR	
Polarization	Linear
Gain	1.3 dBi typ. @ 824-960MHz 2.3 dBi typ. @ 1700-2170MHz
Ground plane	40 x 95 mm
Impedance	50 Ω
Operation Temperature Range	-40 ~ +105°C

### Mechanical Drawing



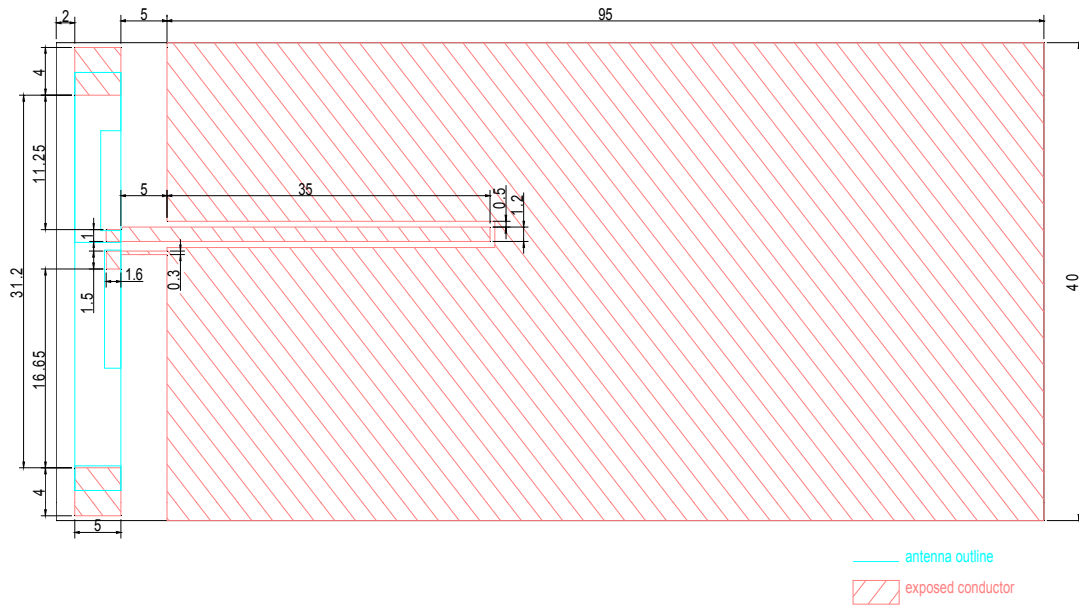
# Product Specification



## Ceramic PIFA JPA892-1935A



### Test Board



### Recommended PCB Layout

