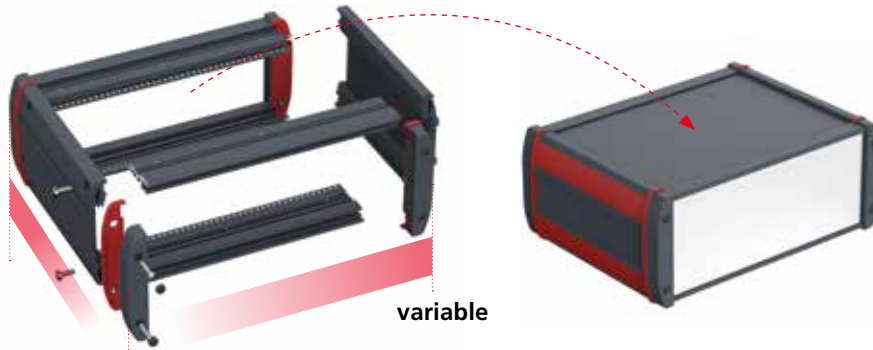


## The product advantages



Intertego is an aluminium profile enclosure whose height and width are variable. The material and function of cover plates and front panels allow the creation of almost any design.



The EMC characteristics of the enclosure can be further upgraded by the use of special EMC components.



Intertego can be used in many situations and is especially suitable for the installation of 19" modules.



On request, the enclosure colour can be varied to meet the customers' specific requirements by means of the powder-coated surface.



The side system groove is used to hold decor strips for colour design and function components e.g. tip-up feet or wall-mounting brackets.



**Quick-Finder:**  
[www.bopla.de/95](http://www.bopla.de/95)

## Examples of use





**BOPLA**

A Phoenix Mecano Company

# Intertego



## Colour:

● Graphite grey, similar to RAL 7024

Special colours on request

## Protection class:

IP40 / DIN EN 60529

With ventilation holes (ADL) IP20 / DIN EN 60529

## Material:

Profiles: Al Mg Si 0,5,

Diecast corners: zinc alloy Z410

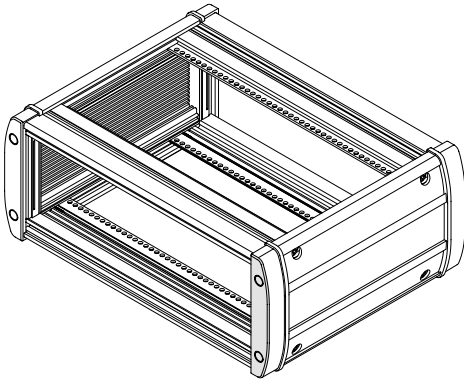
Decor elements: TPE

For details see technical information.

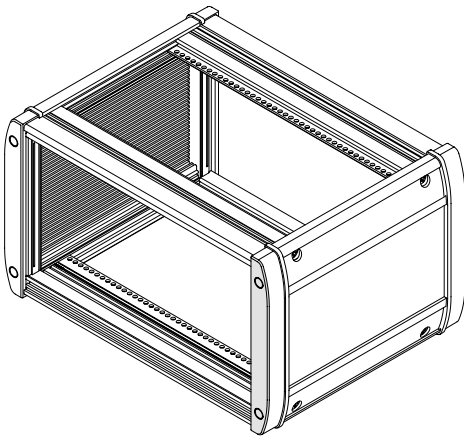


## Enclosure heights

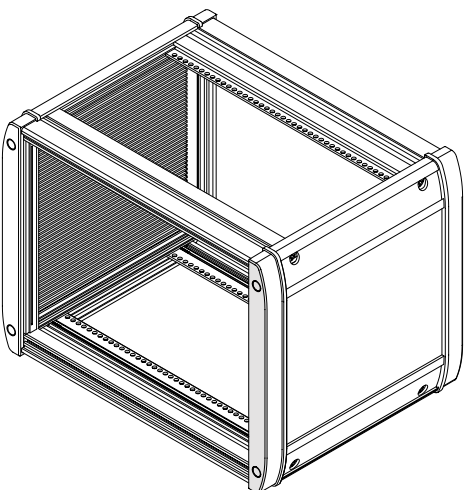
2U IT 10...



3U IT 15...

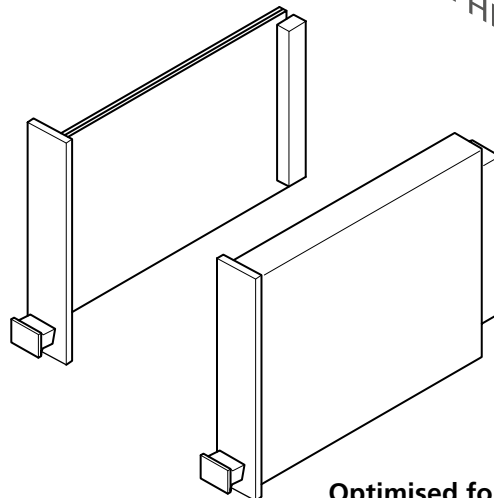
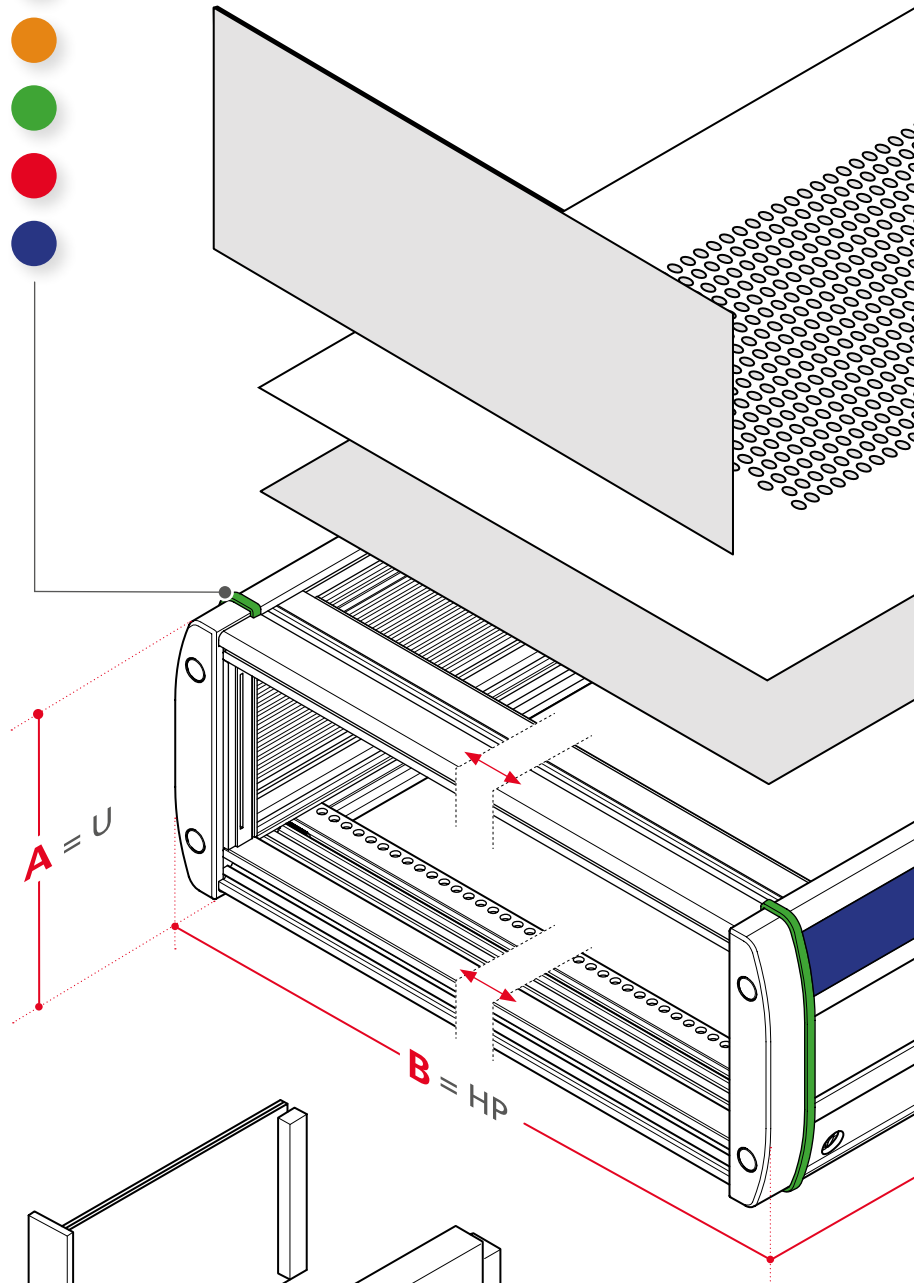


4U IT 20...



## Design type

Decor elements



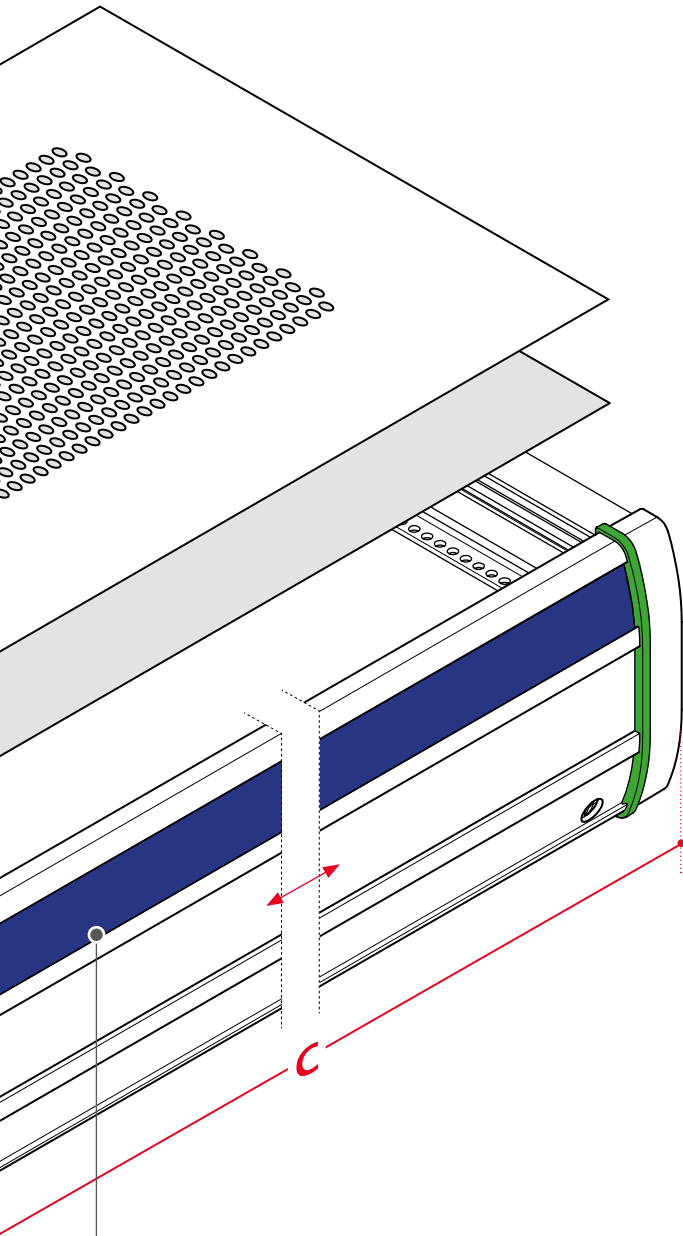
Optimised for the fitting  
of 19" components



**BOPLA**

A Phoenix Mecano Company

# Intertego



### Decor strips



## Dimensions

Model	A	B	C*	HP
<b>2U</b>				
IT 1025...	99.85	250.36	*	42
IT 1035...	99.85	357.04	*	63
IT 1044...	99.85	443.4	*	80
IT 1045...	99.85	463.72	*	84
<b>3U</b>				
IT 1525...	144.3	250.36	*	42
IT 1535...	144.3	357.04	*	63
IT 1544...	144.3	443.4	*	80
IT 1545...	144.3	463.72	*	84
<b>4U</b>				
IT 2025...	188.75	250.36	*	42
IT 2035...	188.75	357.04	*	63
IT 2044...	188.75	443.4	*	80
IT 2045...	188.75	463.72	*	84

\*C = 184,4, 244,4, 304,4 mm

Individual length and width dimensions on request.

## Accessories



Bus, rear and snap profiles for the fitting of 19" components



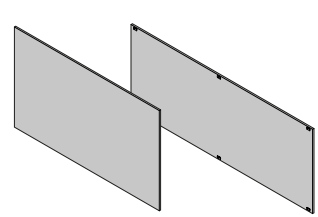
Handle / Tip-up bow



Tip-up feet / Unit feet



Handle shell



Front and part front panels and cover plates in different versions

# Intertego

2 U

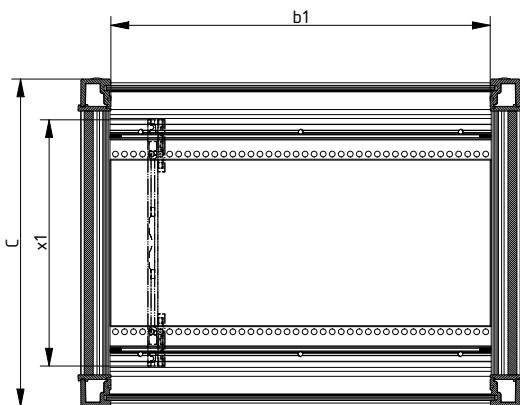
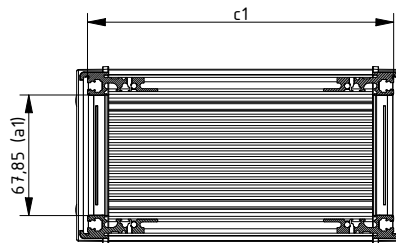
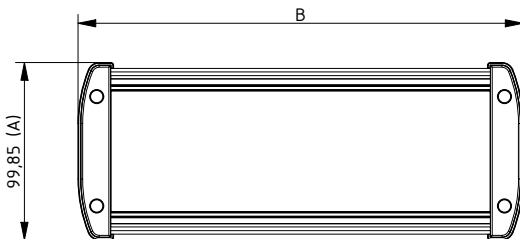


## Enclosure profile sets 2 U

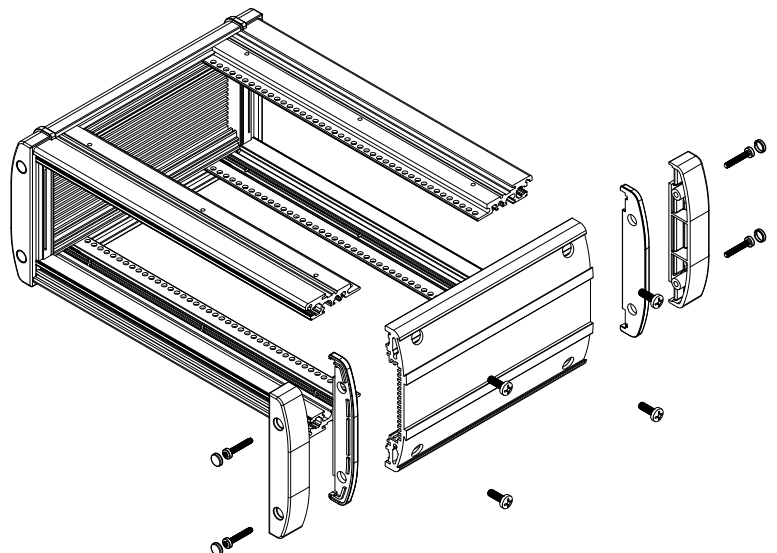
Model	Order no.	A	B	C	a1	b1	c1	U	HP	Card depth
IT 102520	95102520	99.85	250.36	184.4	67.85	213.36	172.2	2	42	160
IT 102525	95102525	99.85	250.36	244.4	67.85	213.36	232.2	2	42	220
IT 102530	95102530	99.85	250.36	304.4	67.85	213.36	292.2	2	42	280
IT 103520	95103520	99.85	357.04	184.4	67.85	320.04	172.2	2	63	160
IT 103525	95103525	99.85	357.04	244.4	67.85	320.04	232.2	2	63	220
IT 103530	95103530	99.85	357.04	304.4	67.85	320.04	292.2	2	63	280
IT 104420	95104420	99.85	443.4	184.4	67.85	406.4	172.2	2	80	160
IT 104425	95104425	99.85	443.4	244.4	67.85	406.4	232.2	2	80	220
IT 104430	95104430	99.85	443.4	304.4	67.85	406.4	292.2	2	80	280
IT 104520	95104520	99.85	463.72	184.4	67.85	426.72	172.2	2	84	160
IT 104525	95104525	99.85	463.72	244.4	67.85	426.72	232.2	2	84	220
IT 104530	95104530	99.85	463.72	304.4	67.85	426.72	292.2	2	84	280

**Scope Of Delivery:** 2 side profiles, 4 front profiles, 4 diecast corners, 4 decor elements, dark grey, mounting material

**Notes:** Special sizes on request. Accessories (EMC, 19",...) see following pages, and in the Interzoll and Interzoll Modul chapters.



Z-2803297



# Intertego

## 3 U

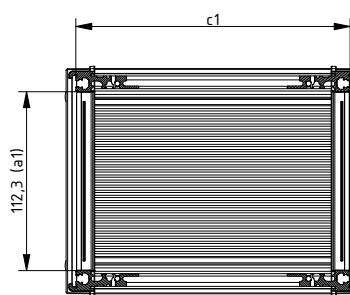
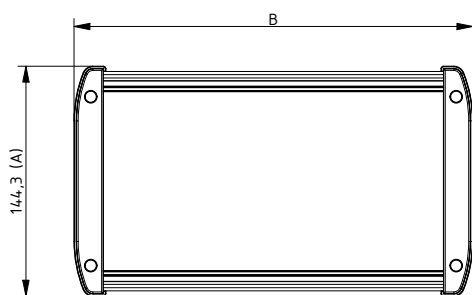
### Enclosure profile sets, 3U

Model	Order no.	A	B	C	a1	b1	c1	U	HP	Card depth
IT 152520	95152520	144.3	250.36	184.4	112.3	213.36	172.2	3	42	160
IT 152525	95152525	144.3	250.36	244.4	112.3	213.36	232.2	3	42	220
IT 152530	95152530	144.3	250.36	304.4	112.3	213.36	292.2	3	42	280
IT 153520	95153520	144.3	357.04	184.4	112.3	320.04	172.2	3	63	160
IT 153525	95153525	144.3	357.04	244.4	112.3	320.04	232.2	3	63	220
IT 153530	95153530	144.3	357.04	304.4	112.3	320.04	292.2	3	63	280
IT 154420	95154420	144.3	443.4	184.4	112.3	406.4	172.2	3	80	160
IT 154425	95154425	144.3	443.4	244.4	112.3	406.4	232.2	3	80	220
IT 154430	95154430	144.3	443.4	304.4	112.3	406.4	292.2	3	80	280
IT 154520	95154520	144.3	463.72	184.4	112.3	426.72	172.2	3	84	160
IT 154525	95154525	144.3	463.72	244.4	112.3	426.72	232.2	3	84	220
IT 154530	95154530	144.3	463.72	304.4	112.3	426.72	292.2	3	84	280

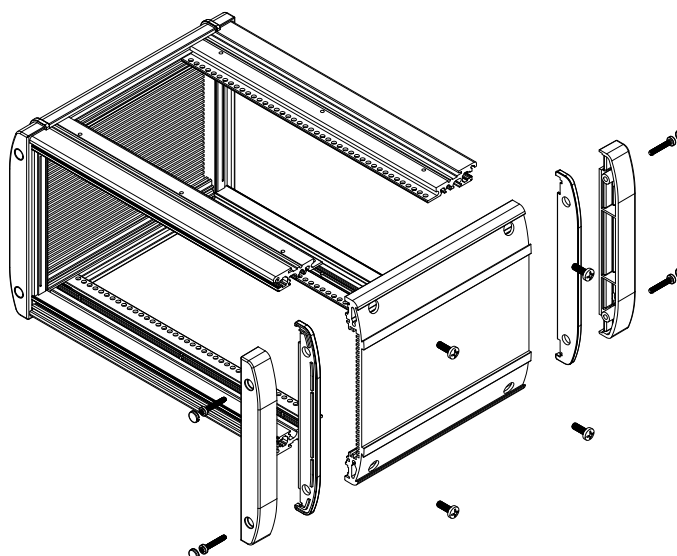
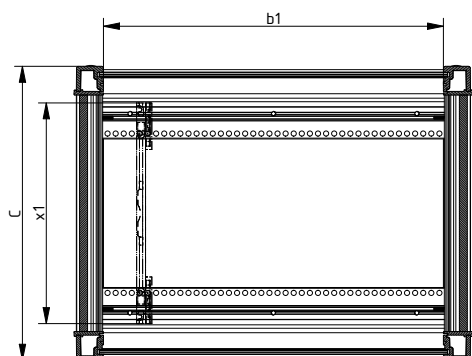


**Scope Of Delivery:** 2 side profiles, 4 front profiles, 4 diecast corners, 4 decor elements, dark grey, mounting material

**Notes:** Special sizes on request. Accessories (EMC, 19" ...) see following pages, and in the Interzoll and Interzoll Modul chapters.



Z-2804378



# Intertego

4 U

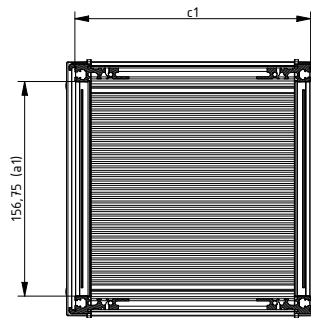
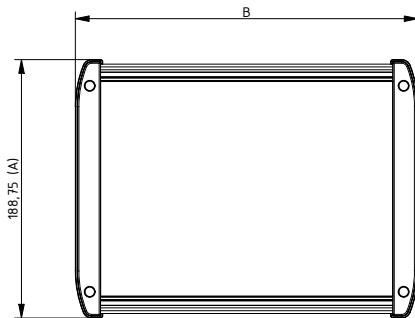


## Enclosure profile sets 4 U

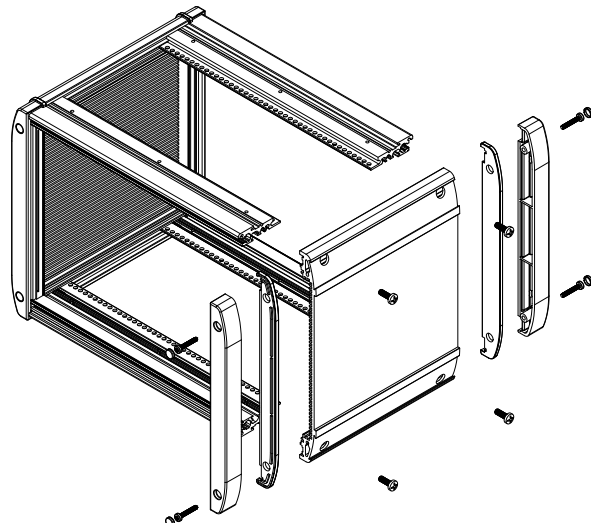
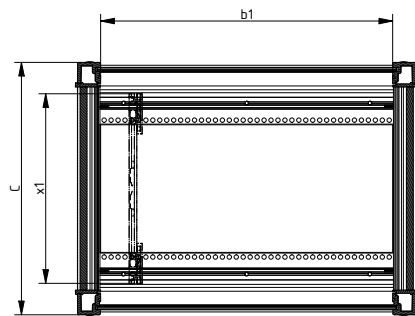
Model	Order no.	A	B	C	a1	b1	c1	U	HP	Card depth
IT 202520	95202520	188.75	250.36	184.4	156.75	213.36	172.2	4	42	160
IT 202525	95202525	188.75	250.36	244.4	156.75	213.36	232.2	4	42	220
IT 202530	95202530	188.75	250.36	304.4	156.75	213.36	292.2	4	42	280
IT 203520	95203520	188.75	357.04	184.4	156.75	320.04	172.2	4	63	160
IT 203525	95203525	188.75	357.04	244.4	156.75	320.04	232.2	4	63	220
IT 203530	95203530	188.75	357.04	304.4	156.75	320.04	292.2	4	63	280
IT 204420	95204420	188.75	443.4	184.4	156.75	406.4	172.2	4	80	160
IT 204425	95204425	188.75	443.4	244.4	156.75	406.4	232.2	4	80	220
IT 204430	95204430	188.75	443.4	304.4	156.75	406.4	292.2	4	80	280
IT 204520	95204520	188.75	463.72	184.4	156.75	426.72	172.2	4	84	-
IT 204525	95204525	188.75	463.72	244.4	156.75	426.72	232.2	4	84	220
IT 204530	95204530	188.75	463.72	304.4	156.75	426.72	292.2	4	84	280

**Scope Of Delivery:** 2 side profiles, 4 front profiles, 4 diecast corners, 4 decor elements, dark grey, mounting material

**Notes:** Special sizes on request. Accessories (EMC, 19",...) see following pages, and in the Interzoll and Interzoll Modul chapters.



Z-2804.379



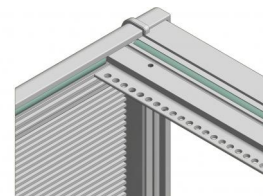
# Intertego

[EMPTY TITLE - FILL IT IN ARTICLEROW OF CURRENT LANGUAGE (PR-ID: 418)]

**EMC textile seal, self-adhesive, for mounting on front and side profiles for conductive connections between profiles and EMC cover plate**

Model	Order no.
IT-EMV 1	<b>95112000</b>

Scope Of Delivery: 8 seals, length 425 mm

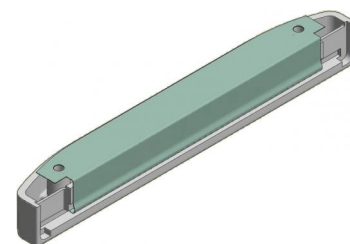


**EMC corner seal set for mounting on the diecast corners to create conductive connections between the side profiles and the front area**

Model	Order no.	U	Note
IT-EMV 2	<b>95110001</b>	2	For IT 10...
IT-EMV 3	<b>95160001</b>	3	For IT 15...

Scope Of Delivery: 4 EMC corner seals

Notes: 4 U not available

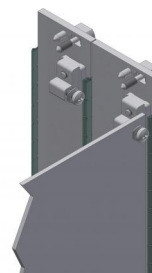


**EMC springs for mounting on EMC part front panels, screw-on with side slits / assembly tool**

Model	Order no.	U
EMV-Feder-FP/M 2HE	<b>86001002</b>	2
EMV-Feder-FP/M 3HE	<b>86001003</b>	3

Scope Of Delivery: 10 EMC springs or 1 assembly tool

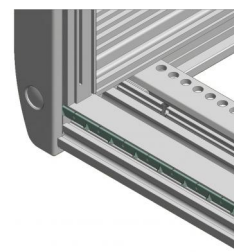
Notes: Can be mounted on TF/M...-EMV 4 U not available



**EMC spring, for mounting on front profiles for conductive connections between front profiles and screw-on EMC part front panels**

Model	Order no.	HP	Note
EMV-Feder-FP/M 42TE	<b>86001142</b>	42	
EMV-Feder-FP/M 63TE	<b>86001163</b>	63	
EMV-Feder-FP/M 80TE	<b>86001180</b>	80	80 HP
EMV-Feder-FP/M 84TE	<b>86001184</b>	84	

Scope Of Delivery: 10 EMC springs



**Mounting tool for EMC spring FP/M**

Model	Order no.	Note
MWZ/M-II	<b>86001202</b>	Für FP/M

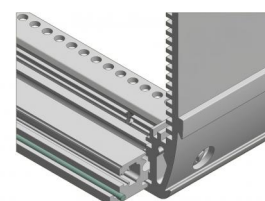
Scope Of Delivery: 1 assembly tool



**EMC round cord seal, for mounting in front profiles for conductive connections between profiles and plug-in EMC front panels**

Model	Order no.	Note
HF-DI	<b>59010509*</b>	Sold by the metre

Notes: Available on request – mounting takes place in factory.

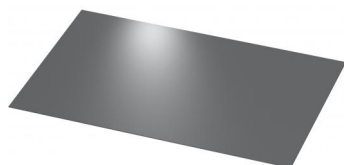




# Intertego

## Cover plates

### Plain cover plates, 1 mm, graphite grey aluminium, powder-coated

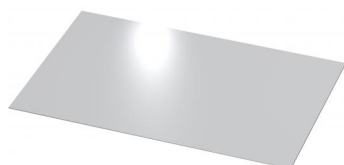


Model	Order no.	Note
IT 002520 AD-7024	95012520	For IT ..2520
IT 002525 AD-7024	95012525	For IT ..2525
IT 002530 AD-7024	95012530	For IT ..2530
IT 003520 AD-7024	95013520	For IT ..3520
IT 003525 AD-7024	95013525	For IT ..3525
IT 003530 AD-7024	95013530	For IT ..3530
IT 004420 AD-7024	95014420	For IT ..4420
IT 004425 AD-7024	95014425	Für IT ..4425
IT 004430 AD-7024	95014430	For IT ..4430
IT 004520 AD-7024	95014520	For IT ..4520
IT 004525 AD-7024	95014525	For IT ..4525
IT 004530 AD-7024	95014530	For IT ..4530

**Scope Of Delivery:** 1 cover plate

**Notes:** Special sizes on request. Mechanical processing of the cover plates and mounting of the unit feet on request.

### Plain cover plates, 1 mm, natural-coloured anodised aluminium



Model	Order no.	Note
IT 002520 AD-EQ	95022520	For IT ..2520
IT 002525 AD-EQ	95022525	For IT ..2525
IT 002530 AD-EQ	95022530	For IT ..2530
IT 003520 AD-EQ	95023520	For IT ..3520
IT 003525 AD-EQ	95023525	For IT ..3525
IT 003530 AD-EQ	95023530	For IT ..3530
IT 004420 AD-EQ	95024420	For IT ..4420
IT 004425 AD-EQ	95024425	Für IT ..4425
IT 004430 AD-EQ	95024430	For IT ..4430
IT 004520 AD-EQ	95024520	For IT ..4520
IT 004525 AD-EQ	95024525	For IT ..4525
IT 004530 AD-EQ	95024530	For IT ..4530

**Scope Of Delivery:** 1 cover plate

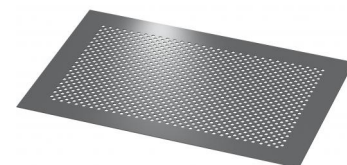
**Notes:** Special sizes on request. Mechanical processing of the cover plates and mounting of the unit feet on request.

# Intertego

## Cover plates

### Cover plates with ventilation, 1 mm, graphite grey aluminium, powder-coated

Model	Order no.	Note
IT 002520 ADL-7024	<b>95032520</b>	For IT ..2520
IT 002525 ADL-7024	<b>95032525</b>	For IT ..2525
IT 002530 ADL-7024	<b>95032530</b>	For IT ..2530
IT 003520 ADL-7024	<b>95033520</b>	For IT ..3520
IT 003525 ADL-7024	<b>95033525</b>	For IT ..3525
IT 003530 ADL-7024	<b>95033530</b>	For IT ..3530
IT 004420 ADL-7024	<b>95034420</b>	For IT ..4420
IT 004425 ADL-7024	<b>95034425</b>	Für IT ..4425
IT 004430 ADL-7024	<b>95034430</b>	For IT ..4430
IT 004520 ADL-7024	<b>95034520</b>	For IT ..4520
IT 004525 ADL-7024	<b>95034525</b>	For IT ..4525
IT 004530 ADL-7024	<b>95034530</b>	For IT ..4530

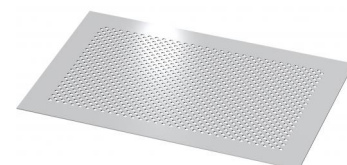


**Scope Of Delivery:** 1 cover plate (4 mm hexagonal hole)

**Notes:** Special sizes on request. Mechanical processing of the cover plates and mounting of the unit feet on request.

### Cover plates with ventilation, 1 mm, natural-coloured anodised aluminium

Model	Order no.	Note
IT 002520 ADL-EQ	<b>95042520</b>	For IT ..2520
IT 002525 ADL-EQ	<b>95042525</b>	For IT ..2525
IT 002530 ADL-EQ	<b>95042530</b>	For IT ..2530
IT 003520 ADL-EQ	<b>95043520</b>	For IT ..3520
IT 003525 ADL-EQ	<b>95043525</b>	For IT ..3525
IT 003530 ADL-EQ	<b>95043530</b>	For IT ..3530
IT 004420 ADL-EQ	<b>95044420</b>	For IT ..4420
IT 004425 ADL-EQ	<b>95044425</b>	Für IT ..4425
IT 004430 ADL-EQ	<b>95044430</b>	For IT ..4430
IT 004520 ADL-EQ	<b>95044520</b>	For IT ..4520
IT 004525 ADL-EQ	<b>95044525</b>	For IT ..4525
IT 004530 ADL-EQ	<b>95044530</b>	For IT ..4530



**Scope Of Delivery:** 1 cover plate (4 mm hexagonal hole)

**Notes:** Special sizes on request. Mechanical processing of the cover plates and mounting of the unit feet on request.

# Intertego

## Cover plates

### Cover plates, screw-on, 2mm, aluminium, graphite grey, powder-coated



Model	Order no.	Note
IT 002520 AD-A-2-7024	<b>95172520</b>	For IT ..2520
IT 002525 AD-A-2-7024	<b>95172525</b>	For IT ..2525
IT 002530 AD-A-2-7024	<b>95172530</b>	For IT ..2530
IT 003520 AD-A-2-7024	<b>95173520</b>	For IT ..3520
IT 003525 AD-A-2-7024	<b>95173525</b>	For IT ..3525
IT 003530 AD-A-2-7024	<b>95173530</b>	For IT ..3530
IT 004420 AD-A-2-7024	<b>95174420</b>	For IT ..4420
IT 004425 AD-A-2-7024	<b>95174425</b>	Für IT ..4425
IT 004430 AD-A-2-7024	<b>95174430</b>	For IT ..4430
IT 004520 AD-A-2-7024	<b>95174520</b>	For IT ..4520
IT 004525 AD-A-2-7024	<b>95174525</b>	For IT ..4525
IT 004530 AD-A-2-7024	<b>95174530</b>	For IT ..4530

Scope Of Delivery: 1 cover plate

### Cover plates closed, screw-on, 2mm, aluminium, natural-coloured anodised



Model	Order no.	Note
IT 002520 AD-A-2-EQ	<b>95122520</b>	For IT ..2520
IT 002525 AD-A-2-EQ	<b>95122525</b>	For IT ..2525
IT 002530 AD-A-2-EQ	<b>95122530</b>	For IT ..2530
IT 003520 AD-A-2-EQ	<b>95123520</b>	For IT ..3520
IT 003525 AD-A-2-EQ	<b>95123525</b>	For IT ..3525
IT 003530 AD-A-2-EQ	<b>95123530</b>	For IT ..3530
IT 004420 AD-A-2-EQ	<b>95124420</b>	For IT ..4420
IT 004425 AD-A-2-EQ	<b>95124425</b>	Für IT ..4425
IT 004430 AD-A-2-EQ	<b>95124430</b>	For IT ..4430
IT 004520 AD-A-2-EQ	<b>95124520</b>	For IT ..4520
IT 004525 AD-A-2-EQ	<b>95124525</b>	For IT ..4525
IT 004530 AD-A-2-EQ	<b>95124530</b>	For IT ..4530

Scope Of Delivery: 1 cover plate

# Intertego

## Cover plates

### Cover plates with ventilation, screw-on, 2mm, aluminium, graphite grey powder-coated

Model	Order no.	Note
IT 002520 ADL-A-2-7024	<b>95142520</b>	For IT ..2520
IT 002520 ADL-A-2-EQ	<b>95132520</b>	For IT ..2520
IT 002525 ADL-A-2-7024	<b>95142525</b>	For IT ..2525
IT 002530 ADL-A-2-7024	<b>95142530</b>	For IT ..2530
IT 003520 ADL-A-2-7024	<b>95143520</b>	For IT ..3520
IT 003525 ADL-A-2-7024	<b>95143525</b>	For IT ..3525
IT 003530 ADL-A-2-7024	<b>95143530</b>	For IT ..3530
IT 004420 ADL-A-2-7024	<b>95144420</b>	For IT ..4420
IT 004425 ADL-A-2-7024	<b>95144425</b>	Für IT ..4425
IT 004430 ADL-A-2-7024	<b>95144430</b>	For IT ..4430
IT 004520 ADL-A-2-7024	<b>95144520</b>	For IT ..4520
IT 004525 ADL-A-2-7024	<b>95144525</b>	For IT ..4525
IT 004530 ADL-A-2-7024	<b>95144530</b>	For IT ..4530



**Scope Of Delivery:** 1 cover plate (4 mm hexagonal hole)

### Cover plates with ventilation, screw-on, 2mm, aluminium, natural-coloured anodised

Model	Order no.	Note
IT 002525 ADL-A-2-EQ	<b>95132525</b>	For IT ..2525
IT 002530 ADL-A-2-EQ	<b>95132530</b>	For IT ..2530
IT 003520 ADL-A-2-EQ	<b>95133520</b>	For IT ..3520
IT 003525 ADL-A-2-EQ	<b>95133525</b>	For IT ..3525
IT 003530 ADL-A-2-EQ	<b>95133530</b>	For IT ..3530
IT 004420 ADL-A-2-EQ	<b>95134420</b>	For IT ..4420
IT 004425 ADL-A-2-EQ	<b>95134425</b>	Für IT ..4425
IT 004430 ADL-A-2-EQ	<b>95134430</b>	For IT ..4430
IT 004520 ADL-A-2-EQ	<b>95134520</b>	For IT ..4520
IT 004525 ADL-A-2-EQ	<b>95134525</b>	For IT ..4525
IT 004530 ADL-A-2-EQ	<b>95134530</b>	For IT ..4530



**Scope Of Delivery:** 1 cover plate (4 mm hexagonal hole)

### Screws for screw-on cover plates

Model	Order no.
SHR S M3x5 DIN 965 A2	<b>95700030</b>

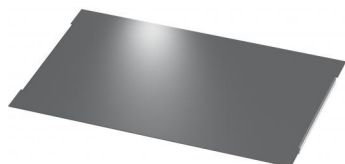


**Scope Of Delivery:** 20 pcs. of SHR S M3x5 DIN 965 A2

**Notes:** Each cover plate is fitted using 6 screws.

# Intertego

## Cover plates



### Plain EMC cover plates, aluminium, visible area graphite grey, powder-coated

Model	Order no.	Note
IT 002520 AD-7024-EMV	<b>95052520</b>	For IT ..2520
IT 002525 AD-7024-EMV	<b>95052525</b>	For IT ..2525
IT 002530 AD-7024-EMV	<b>95052530</b>	For IT ..2530
IT 003520 AD-7024-EMV	<b>95053520</b>	For IT ..3520
IT 003525 AD-7024-EMV	<b>95053525</b>	For IT ..3525
IT 003530 AD-7024-EMV	<b>95053530</b>	For IT ..3530
IT 004420 AD-7024-EMV	<b>95054420</b>	For IT ..4420
IT 004425 AD-7024-EMV	<b>95054425</b>	Für IT ..4425
IT 004430 AD-7024-EMV	<b>95054430</b>	For IT ..4430
IT 004520 AD-7024-EMV	<b>95054520</b>	For IT ..4520
IT 004525 AD-7024-EMV	<b>95054525</b>	For IT ..4525
IT 004530 AD-7024-EMV	<b>95054530</b>	For IT ..4530

**Scope Of Delivery:** 1 cover plate

**Notes:** Cover plates with side contact lugs, uncoated, for IT-EMV 1. Special sizes, notch for additional profiles and processing for unit feet / tip-up feet on request. Screw-on cover plate on request.

# Intertego

## Card guides

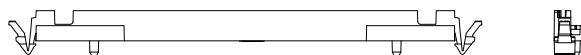
### Card guides, one and three parts, plastic, UL 94 V1 green

Model	Order no.	Card depth	Note
KF 160	<b>54700160</b>	160	one piece
KF/X 220	<b>89700220</b>	160	one piece
KF 220-K	<b>54700225</b>	220	three pieces

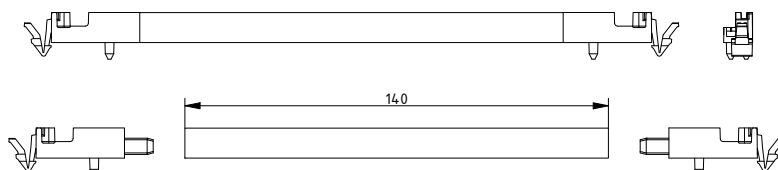
Scope Of Delivery: 10 card guides



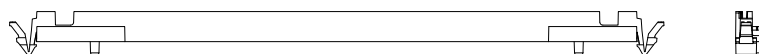
KF 160



KF 220-K



KF/X 220



Z-2904345

# Intertego

## Thread and insulating strips

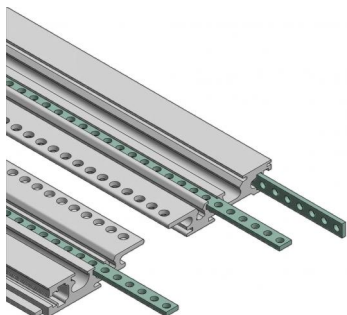


### Tapped strips, galvanised steel, M2.5, 7 x 2 mm, for part front panel fixing

Model	Order no.	HP
GS 00042-I	54000421	42
GS 00063-I	54000631	63
GS 00080-I	54000801	80
GS 00084-I	54000841	84

Scope Of Delivery: 2 tapped strips

Notes: Special lengths on request.

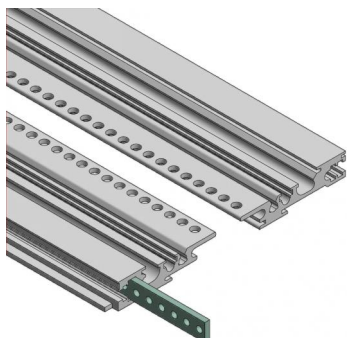


### Tapped strips, galvanised steel, M2.5, 5 x 1.5 mm, for horizontal profile grooves and rear fixing of backplanes, insulating strips and Z rails

Model	Order no.	HP
GS 00042-II	54000422	42
GS 00063-II	54000632	63
GS 00080-II	54000802	80
GS 00084-II	54000842	84

Scope Of Delivery: 2 tapped strips

Notes: Special lengths on request.

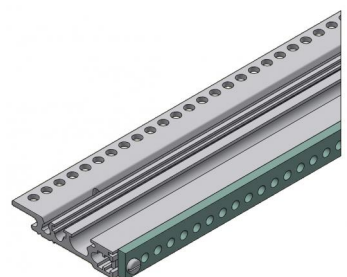


### Slotted set screw M2.5 x 8 / M2.5 x 5, V2A, for positioning and earthing the tapped strip

Model	Order no.	Note
GSE-5	54700390	L = 5 mm
GSE-8	54700395	L = 8 mm

Scope Of Delivery: 10 slotted set screws

Notes: GSE-5 for use in the recessed double groove, in the horizontal grooves (e.g. card guide screwing system) and in the double bus profiles for 6 U subracks and in the adapter profiles. GSE-8 for use in both double grooves.

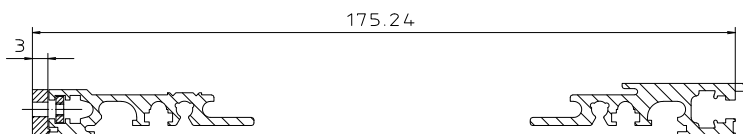


### Insulated plastic, UL 94 V1, for insulated fixing of backplanes

Model	Order no.	HP
IS 00042	54000142	42
IS 00063	54000163	63
IS 00080	54000180	80
IS 00084	54000184	84

Scope Of Delivery: 4 insulating strips (IS 00042 = 2 insulating strips)

Notes: To achieve the necessary insertion depth when using bus profile rails.



Z-2900470

# Intertego

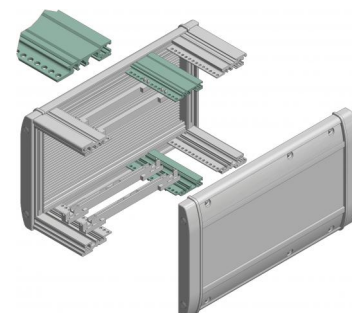
## 19" profiles

### Aluminium bus profiles, natural-coloured anodised, for indirect fixing of backplanes

Model	Order no.	HP	Note
ITPB 002500	<b>95300025</b>	42	For IT ..25..
ITPB 003500	<b>95300035</b>	63	For IT ..35..
ITPB 004400	<b>95300044</b>	80	For IT ..44..
ITPB 004500	<b>95300045</b>	84	For IT ..45..

**Scope Of Delivery:** 2 profiles including mounting material (BFS 0400)

**Notes:** Mechanical processing of the side profiles in accordance with the depth of the circuit board is required before the profiles are fitted. EMC cover plates must be cut off in the area of the lateral contact lugs in accordance with the mounting position. Processing and special lengths on request. Card guides, part front panels, insulating strips, tapped strips and additional 19" components are contained in the Interzoll accessories chapter.

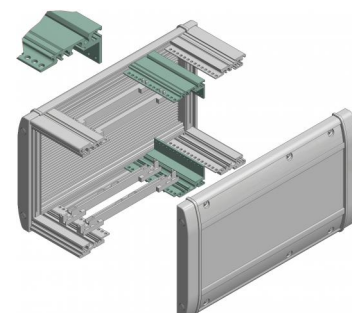


### Rear profiles, aluminium, natural-coloured, for connectors acc. to DIN EN 60603-2 (previously DIN 41612 )

Model	Order no.	HP	Note
ITPR 002500	<b>95302500</b>	42	For IT ..25..
ITPR 003500	<b>95303500</b>	63	For IT ..35..
ITPR 004400	<b>95304400</b>	80	For IT ..44..
ITPR 004500	<b>95304500</b>	84	For IT ..45..

**Scope Of Delivery:** 2 profiles including mounting material (BFS 0400)

**Notes:** Mechanical processing of the side profiles in accordance with the depth of the circuit board is required before the profiles are fitted. EMC cover plates must be cut off in the area of the lateral contact lugs in accordance with the mounting position. Processing and special lengths on request. Card guides, part front panels and additional 19" components are contained in the Interzoll chapter.

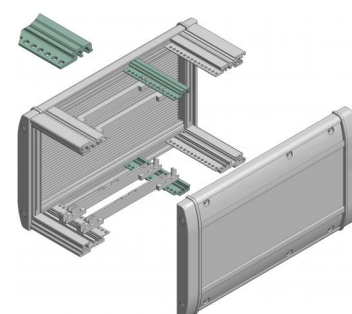


### Snap profiles, natural-coloured anodised aluminium, for holding the card guides

Model	Order no.	HP	Note
ITRP 002500	<b>95400025</b>	42	For IT ..25..
ITRP 003500	<b>95400035</b>	63	For IT ..35..
ITRP 004400	<b>95400044</b>	80	For IT ..44..
ITRP 004500	<b>95400045</b>	84	For IT ..45..

**Scope Of Delivery:** 2 profiles including mounting material (BFS 0400)

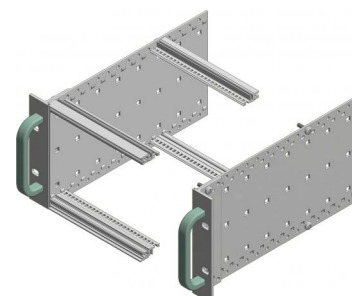
**Notes:** Mechanical processing of the side profiles in accordance with the depth of the circuit board is required before the profiles are fitted. EMC cover plates must be cut off in the area of the lateral contact lugs in accordance with the mounting position. Processing and special lengths on request. Card guides, part front panels and additional 19" components are contained in the Interzoll chapter.



### Handles for subracks, natural-coloured anodised aluminium

Model	Order no.	U
GR/M 00300	<b>86700035</b>	3

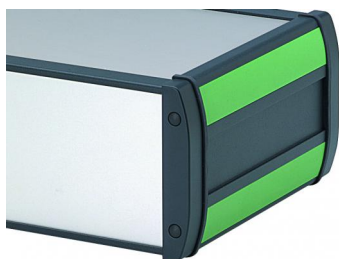
**Scope Of Delivery:** 1 handle





# Intertego

## Accessories



### Decor strips, TPE

Model	Order no.	Colour	Note
IT 000020 DS-dunkelgrau	95011120	Dark grey	For IT....20
IT 000020 DS-rot	95011220	Red	For IT....20
IT 000020 DS-grün	95011320	Green	For IT....20
IT 000020 DS-orange	95011420	Orange	For IT....20
IT 000020 DS-blau	95011520	Blue	For IT....20
IT 000025 DS-dunkelgrau	95011125	Dark grey	For IT....25
IT 000025 DS-rot	95011225	Red	For IT....25
IT 000025 DS-grün	95011325	Green	For IT....25
IT 000025 DS-orange	95011425	Orange	For IT....25
IT 000025 DS-blau	95011525	Blue	For IT....25
IT 000030 DS-dunkelgrau	95011130	Dark grey	For IT....30
IT 000030 DS-rot	95011230	Red	For IT....30
IT 000030 DS-grün	95011330	Green	For IT....30
IT 000030 DS-orange	95011430	Orange	For IT....30
IT 000030 DS-blau	95011530	Blue	For IT....30

**Scope Of Delivery:** 4 decor strips (for 1 enclosure)

**Notes:** Mounting in the side system grooves. Special lengths up to max. 310 mm on request. As an alternative, individually printed membranes can be used.



### Decor elements, TPE

Model	Order no.	Colour	Note
IT 100000 DE-rot	95102201	Red	For IT 10....
IT 100000 DE-grün	95102301	Green	For IT 10....
IT 100000 DE-orange	95102401	Orange	For IT 10....
IT 100000 DE-blau	95102501	Blue	For IT 10....
IT 150000 DE-rot	95152201	Red	For IT 15....
IT 150000 DE-grün	95152301	Green	For IT 15....
IT 150000 DE-orange	95152401	Orange	For IT 15....
IT 150000 DE-blau	95152501	Blue	For IT 15....
IT 200000 DE-rot	95202201	Red	For IT 20....
IT 200000 DE-grün	95202301	Green	For IT 20....
IT 200000 DE-orange	95202401	Orange	For IT 20....
IT 200000 DE-blau	95202501	Blue	For IT 20....

**Scope Of Delivery:** 4 decor elements (for 1 enclosure)

**Notes:** Can be used as an alternative to the decor elements included in the IT... standard scope of delivery.



### Flange panel, natural-coloured anodised aluminium, for fitting an enclosure (80 HP useful width) in a 19" cabinet

Model	Order no.	Note
IT 10 FLP	95005280	For IT 1044., space requirement 3 U
IT 15 FLP	95005380	For IT 1544., space requirement 4 U
IT 20 FLP	95005480	For IT 2044., space requirement 5 U

**Scope Of Delivery:** 1 flange panel

**Notes:** Mounting between side panel and diecast corner instead of the decor elements.

# Intertego

## Accessories

### Wall fitting, graphite grey aluminium, powder-coated

Model	Order no.	Note
IT 000020 WB	<b>95005020</b>	For IT....20
IT 000025 WB	<b>95005025</b>	For IT....25
IT 000030 WB	<b>95005030</b>	For IT....30

**Scope Of Delivery:** 2 wall fittings, 4 covers, dark grey

**Notes:** The screw holes can be covered by using decor strips DS... . Special lengths on request. Coloured covers can also be used.



### Coloured covers for wall mounting

Model	Order no.	Colour	Note
AS 0030 AK-WB-rot	<b>94785000</b>	Red	For AS 0030-...WB-..., IT 0000.. WB
AS 0030 AK-WB-grün	<b>94783000</b>	Green	For AS 0030-...WB-..., IT 0000.. WB
AS 0030 AK-WB-orange	<b>94786000</b>	Orange	For AS 0030-...WB-..., IT 0000.. WB
AS 0030 AK-WB-blau	<b>94784000</b>	Blue	For AS 0030-...WB-..., IT 0000.. WB

**Scope Of Delivery:** 4 covers



### Wall angle for fitting on front of enclosure, graphite grey sheet steel, powder-coated

Model	Order no.	Note
IT 10 WW	<b>95005200</b>	For IT 10....
IT 15 WW	<b>95005300</b>	For IT 15....
IT 20 WW	<b>95005400</b>	For IT 20....

**Scope Of Delivery:** 2 wall angles

**Notes:** Mounting between side panel and diecast corner instead of the decor elements.



### Tower foot, graphite grey aluminium, powder-coated

Model	Order no.	Note
IT 000020 T	<b>95006020</b>	For IT....20
IT 000025 T	<b>95006025</b>	For IT....25
IT 000030 T	<b>95006030</b>	For IT....30

**Scope Of Delivery:** 2 tower feet, 4 rubber feet

**Notes:** Special lengths on request.



# Intertego

## Accessories

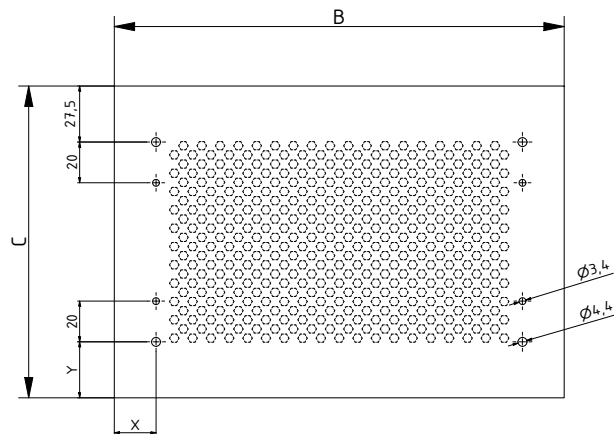


### Tip-up feet, polyamide

Model	Order no.	Note
AF1/INS	86050000	Tip-up feet

**Scope Of Delivery:** Set-up foot set (2 fixed and 2 hinged feet), fixing material

**Notes:** Mechanical processing of the cover plates and mounting of the tip-up feet on request.



Bearbeitung gilt für alle Abdeckbleche mit/ohne Lüftung ! (Auch EMV-Varianten)

Z-2804380

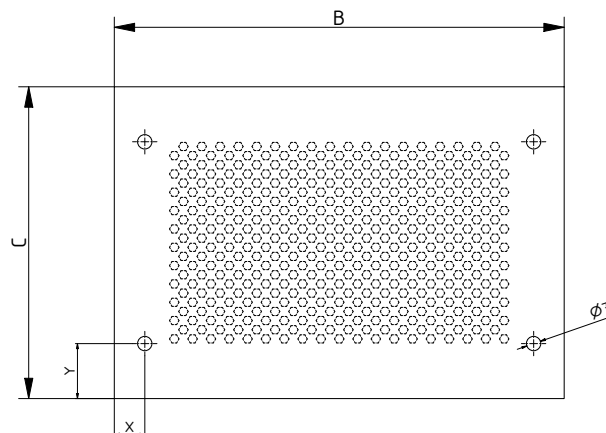


### Unit feet, polyamide

Model	Order no.
IT GF	95006000

**Scope Of Delivery:** 4 unit feet

**Notes:** Mechanical processing of the cover plates and mounting of the unit feet on request.



Bearbeitung gilt für alle Abdeckbleche mit/ohne Lüftung ! (Auch EMV-Varianten)

Z-2804381

# Intertego

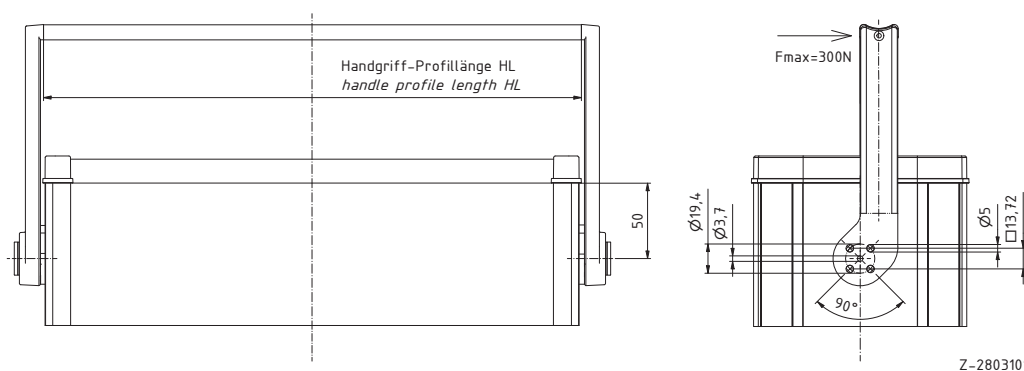
## Accessories

### Handles / Tip-up bows for IT 15..., IT 20...

Model	Order no.	Note
IT 002500 HS1	<b>95007325</b>	For IT 1525..., IT 2025..
IT 003500 HS1	<b>95007335</b>	For IT 1535..., IT 2035..
IT 004400 HS1	<b>95007344</b>	For IT 1544..., IT 2044..
IT 004500 HS1	<b>95007345</b>	For IT 1545..., IT 2045..

**Scope Of Delivery:** HS: Handle side parts (PA6), seals, screws HSP: profile (aluminium)

**Notes:** Mechanical processing of the side profiles and mounting of the handles on request. The maximum load is 300 N.

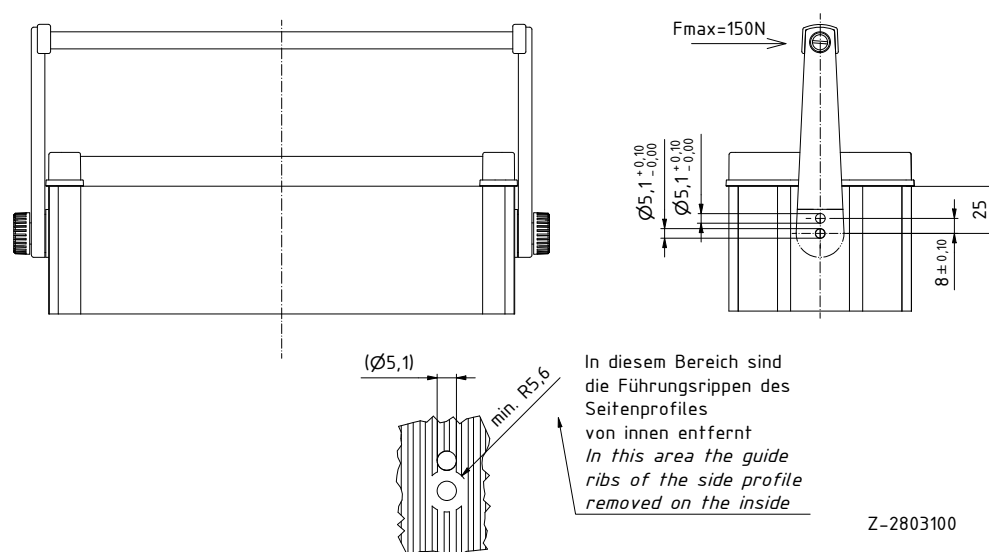


### Handles / Tip-up bows for IT 10...

Model	Order no.	Note
IT 002500 HS2	<b>95007225</b>	For IT 1025..
IT 003500 HS2	<b>95007235</b>	For IT 1035..
IT 004400 HS2	<b>95007244</b>	For IT 1044..
IT 004500 HS2	<b>95007245</b>	For IT 1045..

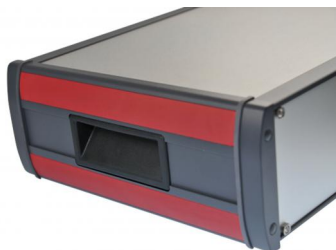
**Scope Of Delivery:** HS: Handle side parts (PA6), seals, screws HSP: profile (aluminium)

**Notes:** Mechanical processing of the side profiles and mounting of the handles on request. The maximum load is 150 N.



# Intertego

## Accessories



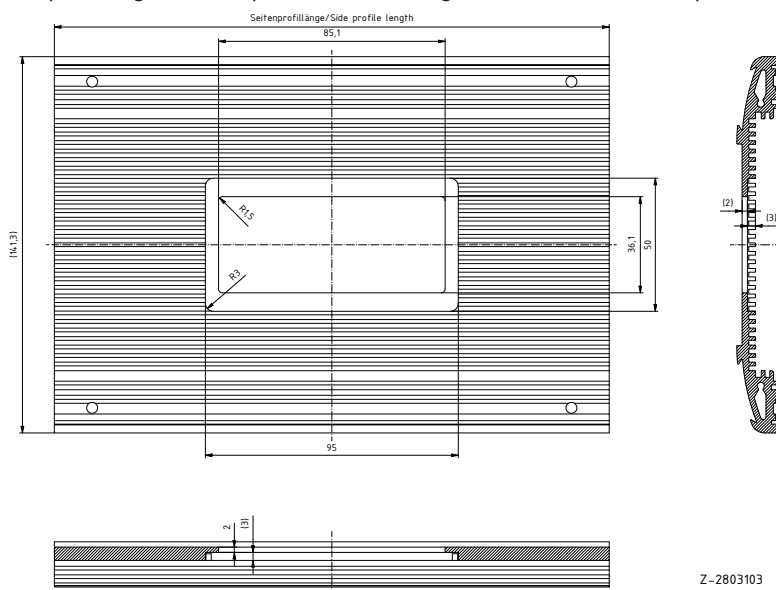
### Handle shells, black plastic

**Model**  
IT-GRS

**Order no.**  
95007100

**Scope Of Delivery:** 2 handle shells

**Notes:** Mechanical processing of the side profiles and mounting of the handle shells on request.



Z-2803103

# Intertego

## Accessories

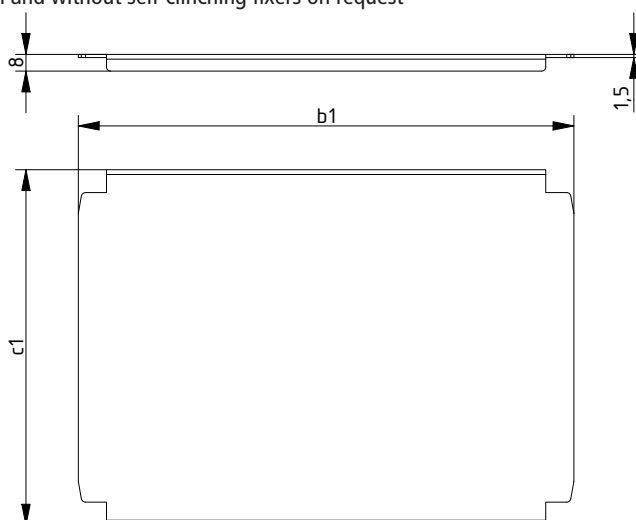
**Mounting panel for screwless mounting in the guide grooves of the side walls, 1.5mm thick untreated aluminium**



Model	Order no.	b1	c1	Note
IT 002520 MP	<b>95082520</b>	237.62	148.4	For IT ..2520
IT 002525 MP	<b>95082525</b>	237.62	208.4	For IT ..2525
IT 002530 MP	<b>95082530</b>	237.62	268.4	For IT ..2530
IT 003520 MP	<b>95083520</b>	344.3	148.4	For IT ..3520
IT 003525 MP	<b>95083525</b>	344.3	208.4	For IT ..3525
IT 003530 MP	<b>95083530</b>	344.3	268.4	For IT ..3530
IT 004420 MP	<b>95084420</b>	430.66	148.4	For IT ..4420
IT 004425 MP	<b>95084425</b>	430.66	208.4	Für IT ..4425
IT 004430 MP	<b>95084430</b>	430.66	268.4	For IT ..4430
IT 004520 MP	<b>95084520</b>	450.98	148.4	For IT ..4520
IT 004525 MP	<b>95084525</b>	450.98	208.4	For IT ..4525
IT 004530 MP	<b>95084530</b>	450.98	268.4	For IT ..4530

**Scope Of Delivery:** 1 mounting panel

**Notes:** Processing e.g. with and without self-clinching fixers on request



Z-2804382

# Intertego

## Frame-type plug-in units

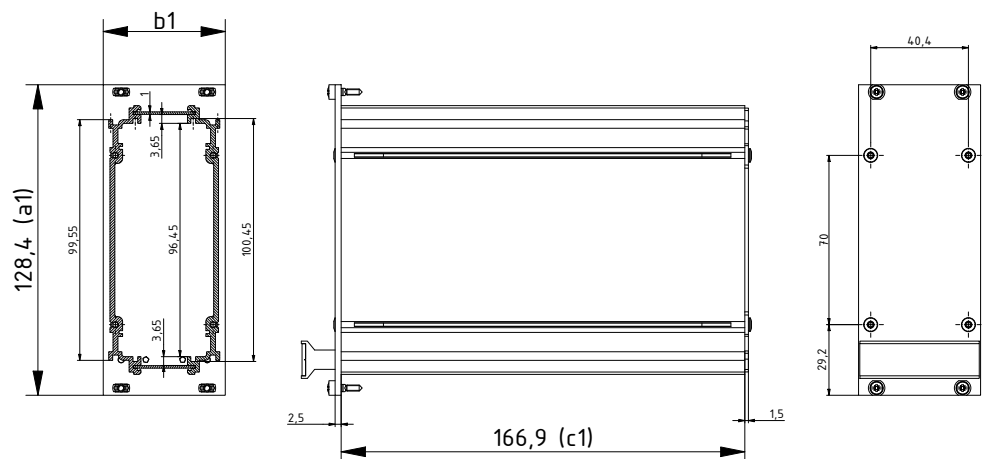


**Interzoll PRO frame-type plug-in units, 3 U, natural-coloured anodised aluminium front panel, colourless passivated aluminium side profiles, galvanised steel cover plates, plain, galvanised steel rear panel with one slot, 3 U**

Model	Order no.	a1	b1	c1	U	HP
IZK/M 16308-RW1-P	<b>85808311</b>	128.4	40.3	166.9	3	8
IZK/M 16310-RW1-P	<b>85810311</b>	128.4	50.46	166.9	3	10
IZK/M 16312-RW1-P	<b>85812311</b>	128.4	60.62	166.9	3	12
IZK/M 16314-RW1-P	<b>85814311</b>	128.4	70.78	166.9	3	14
IZK/M 16321-RW1-P	<b>85821311</b>	128.4	106.34	166.9	3	21
IZK/M 16328-RW1-P	<b>85828311</b>	128.4	141.9	166.9	3	28
IZK/M 16342-RW1-P	<b>85842311</b>	128.4	213.02	166.9	3	42

**Scope Of Delivery:** 1 front panel with handle, 2 side panels, 2 top covers, 1 rear panel, mounting material

**Notes:** Additional versions, 6 U, EMC or with hood on request.



Z-2904-357



**Cover plates, perforated, 1mm, galvanised sheet steel, for frame-type plug-in units, 3 U**

Model	Order no.	c1	HP
IZK/M 16008-ADL-P	<b>86090812</b>	167	8
IZK/M 16010-ADL-P	<b>86091012</b>	167	10
IZK/M 16012-ADL-P	<b>86091212</b>	167	12
IZK/M 16014-ADL-P	<b>86091412</b>	167	14
IZK/M 16021-ADL-P	<b>86092112</b>	167	21
IZK/M 16028-ADL-P	<b>86092812</b>	167	28
IZK/M 16042-ADL-P	<b>86094212</b>	167	42

**Scope Of Delivery:** 1 cover plate

**Notes:** c1 = Abdeckblechtiefe

# Intertego

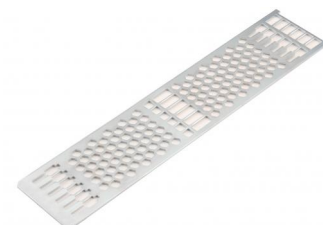
## Frame-type plug-in units

**Cover plates, perforated, 1mm, galvanised sheet steel, for PRO frame-type plug-in units, 3 U, to accommodate card guides**

Model	Order no.	c1	HP
IZK/M 16008-ADL-KF-P	<b>86090813</b>	167	8
IZK/M 16010-ADL-KF-P	<b>86091013</b>	167	10
IZK/M 16012-ADL-KF-P	<b>86091213</b>	167	12
IZK/M 16014-ADL-KF-P	<b>86091413</b>	167	14
IZK/M 16021-ADL-KF-P	<b>86092113</b>	167	21
IZK/M 16028-ADL-KF-P	<b>86092813</b>	167	28
IZK/M 16042-ADL-KF-P	<b>86094213</b>	167	42

Scope Of Delivery: 1 cover plate

Notes: c1 = Abdeckblechtiefe



**Card guides for cover plates IZK/M-ADL-KF, plastic, UL 94 V0, red**

Model	Order no.	Card depth
IZK/M KF-160-P	<b>86216030</b>	160

Scope Of Delivery: 10 card guides



**Rear panel open, galvanised sheet steel, for IZK/M frame-type plug-in units**

Model	Order no.	HP
IZK/M 00308-RWO-P	<b>86090833</b>	8
IZK/M 00310-RWO-P	<b>86091033</b>	10
IZK/M 00312-RWO-P	<b>86091233</b>	12
IZK/M 00314-RWO-P	<b>86091433</b>	14
IZK/M 00321-RWO-P	<b>86092133</b>	21
IZK/M 00328-RWO-P	<b>86092833</b>	28
IZK/M 00342-RWO-P	<b>86094233</b>	42

Scope Of Delivery: 1 rear panel



**Leiterkarten- und Rückwandhalter für Kassetten**

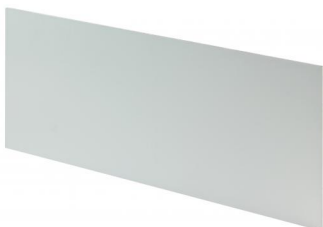
Model	Order no.
LKH/M 09-P	<b>86080090</b>
LKH/M 10-P	<b>86080110</b>
RWH/M 01-P	<b>86080120</b>

Scope Of Delivery: 10 pieces LKH/M 09-P/...10-P: 5 pairs (right/left)



# Intertego

## Front panel

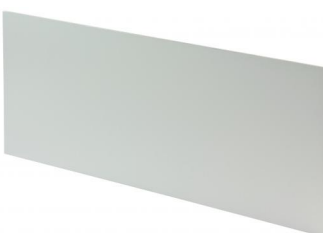


### Front panels, 2 mm, natural-coloured anodised aluminium, plug-in

Model	Order no.	U	HP	Note
IT 102500 FP	95104025	2	42	For IT 1025..
IT 103500 FP	95104035	2	63	For IT 1035..
IT 104400 FP	95104044	2	80	For IT 1044..
IT 104500 FP	95104045	2	84	For IT 1045..
IT 152500 FP	95154025	3	42	For IT 1525..
IT 153500 FP	95154035	3	63	For IT 1535..
IT 154400 FP	95154044	3	80	For IT 1544..
IT 154500 FP	95154045	3	84	For IT 1545..
IT 202500 FP	95204025	4	42	For IT 2025..
IT 203500 FP	95204035	4	63	For IT 2035..
IT 204400 FP	95204044	4	80	For IT 2044..
IT 204500 FP	95204045	4	84	For IT 2045..

**Scope Of Delivery:** 1 front panel

**Notes:** Special sizes on request.



### EMC front panels, natural-coloured anodised aluminium on front, 2 mm, colour-passivated on rear, plug-in

Model	Order no.	U	HP	Note
IT 102500 FP-EMV	95114025	2	42	For IT 1025..
IT 103500 FP-EMV	95114035	2	63	For IT 1035..
IT 104400 FP-EMV	95114044	2	80	For IT 1044..
IT 104500 FP-EMV	95114045	2	84	For IT 1045..
IT 152500 FP-EMV	95164025	3	42	For IT 1525..
IT 153500 FP-EMV	95164035	3	63	For IT 1535..
IT 154400 FP-EMV	95164044	3	80	For IT 1544..
IT 154500 FP-EMV	95164045	3	84	For IT 1545..
IT 202500 FP-EMV	95214025	4	42	For IT 2025..
IT 203500 FP-EMV	95214035	4	63	For IT 2035..
IT 204400 FP-EMV	95214044	4	80	For IT 2044..
IT 204500 FP-EMV	95214045	4	84	For IT 2045..

**Scope Of Delivery:** 1 front panel

**Notes:** Special sizes on request.

# Intertego

## Front panel

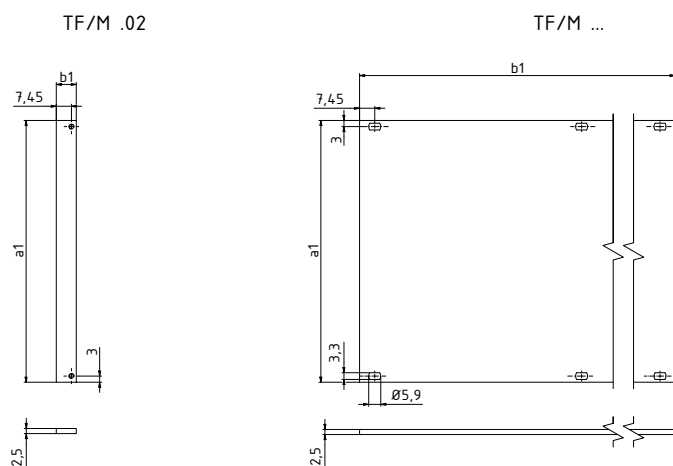
### Part front panels, natural-coloured anodised aluminium, passivated on rear

Model	Order no.	a1	b1	U	HP	Note
TF/M 242	86842023	84.05	213.01	2	42	
TF/M 263	86863023	84.05	319.69	2	63	
TF/M 280	86880023	-	-	2	28	2 U, 80 HP
TF/M 284	86884023	84.05	426.37	2	84	
TF/M 302	86802033	128.5	9.81	3	2	
TF/M 303	86803033	128.5	14.89	3	3	
TF/M 304	86804033	128.5	19.97	3	4	
TF/M 306	86806033	128.5	30.13	3	6	
TF/M 307	86807033	128.5	35.21	3	7	
TF/M 308	86808033	128.5	40.29	3	8	
TF/M 310	86810033	128.5	50.45	3	10	
TF/M 312	86812033	128.5	60.61	3	12	
TF/M 314	86814033	128.5	70.77	3	14	
TF/M 318	86818033	128.5	91.09	3	18	
TF/M 319	86819033	128.5	96.17	3	19	
TF/M 320	86820033	128.5	101.25	3	20	
TF/M 321	86821033	128.5	106.33	3	21	
TF/M 328	86828033	128.5	141.97	3	28	
TF/M 340	86840033	128.5	202.85	3	40	
TF/M 342	86842033	128.5	213.01	3	42	
TF/M 363	86863033	128.5	319.69	3	63	
TF/M 384	86884033	128.5	426.37	3	84	
TF/M 484	86884043	172.95	426.37	4	84	
TF/M 380	86880033	-	-	3	80	3 U, 80 HP
TF/M 442	86842043	-	-	4	42	4 U, 42 HP
TF/M 463	86863043	-	-	4	63	4 U, 63 HP
TF/M 480	86880043	-	-	4	80	4 U, 80 HP



**Scope Of Delivery:** 1 front panel

**Notes:** Special sizes on request. Screw holders and collar screws as accessories.



# Intertego

## Front panel

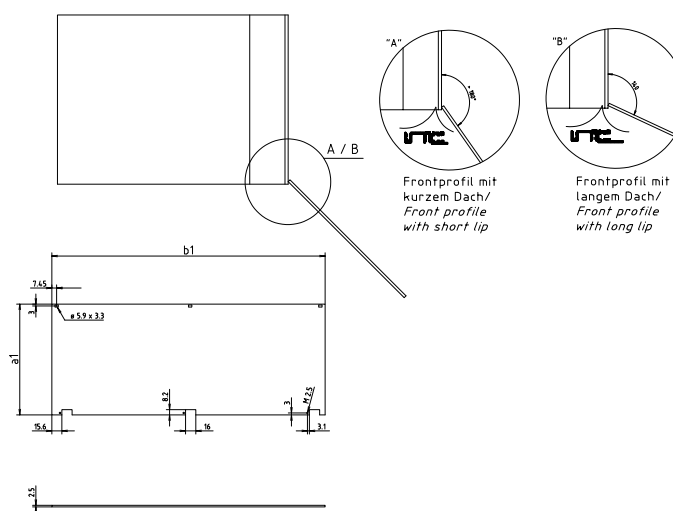


Front panels, 3 / 6 U, collapsible, front natural-coloured anodised aluminium, passivated on rear

Model	Order no.	a1	b1	U	HP
TF/M 342-K	<b>86842038</b>	128.5	213.01	3	42
TF/M 363-K	<b>86863038</b>	128.5	319.69	3	63
TF/M 384-K	<b>86884038</b>	128.5	426.37	3	84
TF/M 642-K	<b>86842068</b>	261.85	213.01	6	42
TF/M 663-K	<b>86863068</b>	261.85	319.69	6	63
TF/M 684-K	<b>86884068</b>	261.85	426.37	6	84

**Scope Of Delivery:** 1 front panel, 1 hinge set, 3 metal screw holders, 3 knurled screws BFS/M 2200, mounting material

**Notes:** The usable width is not restricted. Can be unhooked at 135° except for Internorm Stil. One tapped strip above and below is required for each fixing.



Z-2901867

# Intertego

## Front panel

Part front panels, EMC, front natural-coloured anodised aluminium, passivated on rear with slot for EMC spring and pressed-in alignment pins



Model	Order no.	a1	b1	U	HP	Note
TF/M 242-EMV	<b>86842024</b>	-	-	2	42	
TF/M 304-EMV	<b>86804034</b>	128.5	19.97	3	4	
TF/M 263-EMV	<b>86863024</b>	-	-	2	63	
TF/M 308-EMV	<b>86808034</b>	128.5	40.29	3	8	
TF/M 280-EMV	<b>86880024</b>	-	-	2	28	
TF/M 310-EMV	<b>86810034</b>	128.5	50.45	3	10	
TF/M 284-EMV	<b>86884024</b>	-	-	2	84	
TF/M 314-EMV	<b>86814034</b>	128.5	70.77	3	14	
TF/M 320-EMV	<b>86820034</b>	128.5	101.25	3	20	
TF/M 321-EMV	<b>86821034</b>	128.5	106.33	3	21	
TF/M 340-EMV	<b>86840034</b>	128.5	202.85	3	40	
TF/M 342-EMV	<b>86842034</b>	128.5	213.01	3	42	
TF/M 363-EMV	<b>86863034</b>	128.5	319.69	3	63	
TF/M 384-EMV	<b>86884034</b>	128.5	426.37	3	84	
TF/M 380-EMV	<b>86880034</b>	-	-	3	80	3 U, 80 HP

**Scope Of Delivery:** 1 front panel

**Notes:** Matching screw holder, collar screws and EMC springs as accessories. 4 U EMC part front panels unavailable.

# Intertego

## Front panel

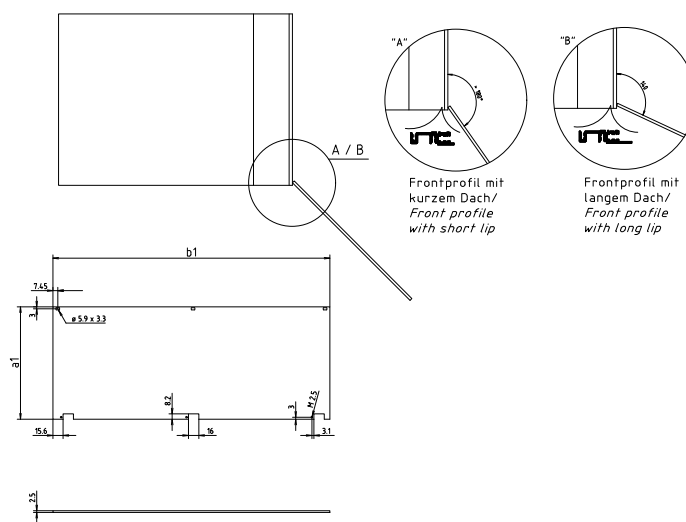


Front panels, EMC, 3 / 6 U, collapsible, front natural-coloured anodised aluminium, passivated on rear

Model	Order no.	a1	b1	U	HP
TF/M 342-EMV-K	<b>86842037</b>	128.5	213.01	3	42
TF/M 363-EMV-K	<b>86863037</b>	128.5	319.69	3	63
TF/M 384-EMV-K	<b>86884037</b>	128.5	426.37	3	84
TF/M 642-EMV-K	<b>86842067</b>	261.85	213.01	6	42
TF/M 684-EMV-K	<b>86884067</b>	261.85	426.37	6	84

**Scope Of Delivery:** 1 front panel, 1 hinge set, 3 metal screw holders, 3 knurled screws M2.5x12.3, EMC textile seal, mounting material

**Notes:** Shielded, part front panels with slits for EMC springs (can also be used without EMC springs). The usable width is not restricted. Can be removed at 135°, except for Internorm Stil. 1 tapped strip is required in each case for fixing up and down.



Z-2901867

# Intertego

## Front panel

Plug-in front panels, front natural-coloured anodised aluminium, passivated on rear, incl. handles, plastic, UL 94 V 0, light grey

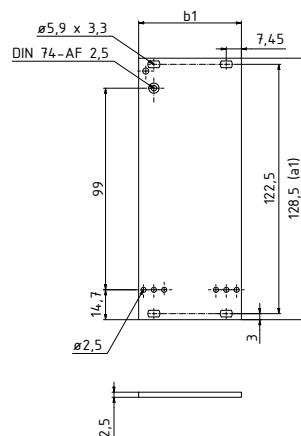
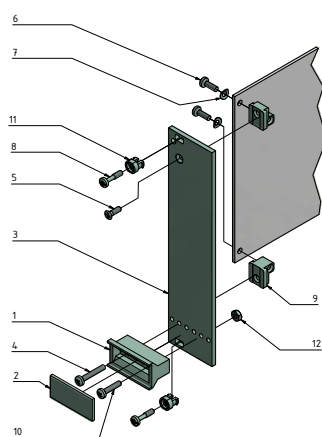
Model	Order no.	a1	b1	U	HP
ST/M 303	<b>86803037</b>	128.5	14.89	3	3
ST/M 304	<b>86804037</b>	128.5	19.97	3	4
ST/M 305	<b>86805037</b>	128.5	25.05	3	5
ST/M 306	<b>86806037</b>	128.5	30.13	3	6
ST/M 308	<b>86808037</b>	128.5	40.29	3	8
ST/M 309	<b>86809037</b>	128.5	45.37	3	9
ST/M 310	<b>86810037</b>	128.5	50.45	3	10
ST/M 312	<b>86812037</b>	128.5	60.61	3	12
ST/M 318	<b>86818037</b>	128.5	91.09	3	18
ST/M 321	<b>86821037</b>	128.5	106.33	3	21

**Scope Of Delivery:** 1) 1 handle, trapezoidal shape (PPO-UL94 V-0) 2) 1 identification plate (aluminium 1.5 mm, anodised) 3) 1 front panel (aluminium 2.5 mm, front anodised, rear yellow chromated) 4) 1 cylinder head screw (SHR Z M 2.5x16) 5) 1 panhead screw (SHR S M 2.5x8) 6) 2 cylinder head screws (SHR Z M 2.5x8) 7) 2 spring discs (A 2.6) 8) up to 7 HP: 2 collar screws with recessed screw head (M 2.5x12.3, for plug-in front panels) 8) 8 HP and higher: 4 collar screws with recessed screw (M 2.5x12.3, for plug-in front panels) 9) 2 circuit board holders (ZN diecast, 2 threads M 2.5) 10) 1 cylinder head screw (SHR Z M 2.5x12) 11) up to 7 HP: 2 plastic screw holders (PA6, grey, unscreened, for plug-in front panels) 11) 8 HP and higher: 4 plastic screw holders (grey, unscreened, for plug-in front panels) 12) 1 hexagon nut (M 2.5 for version with metal circuit board holder)

**Notes:** Additional sizes on request.



ST/M 3..



Z-2904356

# Intertego

## Front panel

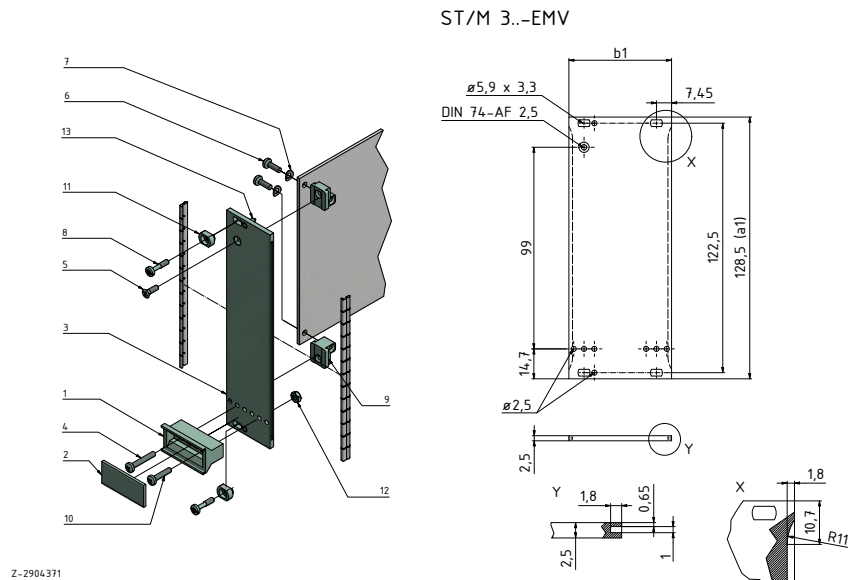


Plug-in front panels, EMC, front natural-coloured anodised aluminium, passivated on rear with slot for EMC spring and pressed-in alignment pin

Model	Order no.	a1	b1	U	HP
ST/M 303-EMV	86803038	128.5	14.89	3	3
ST/M 304-EMV	86804038	128.5	19.97	3	4
ST/M 305-EMV	86805038	128.5	25.05	3	5
ST/M 306-EMV	86806038	128.5	30.13	3	6
ST/M 308-EMV	86808038	128.5	40.29	3	8
ST/M 309-EMV	86809038	128.5	45.37	3	9
ST/M 310-EMV	86810038	128.5	50.45	3	10
ST/M 312-EMV	86812038	128.5	60.61	3	12
ST/M 318-EMV	86818038	128.5	91.09	3	18
ST/M 321-EMV	86821038	128.5	106.33	3	21

**Scope Of Delivery:** 1) 1 handle, trapezoidal shape (PPO-UL94 V-0) 2) 1 identification plate (aluminium 1.5 mm, anodised) 3) 1 front panel (aluminium 2.5 mm, front anodised, rear yellow chromated) 4) 1 cylinder head screw (SHR Z M 2.5x16) 5) 1 panhead screw (SHR S M 2.5x8) 6) 2 cylinder head screws (SHR Z M 2.5x8) 7) 2 spring discs (A 2.6) 8) up to 7 HP: 2 collar screws with recessed screw head (M 2.5x12.3, for plug-in front panels) 8) 8 HP and higher: 4 collar screws with recessed screw (M 2.5x12.3, for plug-in front panels) 9) 2 circuit board holders (ZN diecast, 2 threads M 2.5) 10) 1 cylinder head screw (SHR Z M 2.5x12) 11) up to 7 HP: 2 metal screw holders (stainless steel, for plug-in front panels with slit) 11) 8 HP and higher: 4 metal screw holders (stainless steel, for plug-in front panels with slit) 12) 1 hexagon nut (M 2.5 for version with metal circuit board holder) 13) 2 pressed-in alignment pins (stainless steel)

**Notes:** Additional sizes on request. EMC springs FP/M as Interzoll Modul accessories.



# Intertego

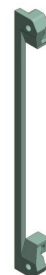
## Front panel

### Leiterkartenhalter und Befestigungsmaterial

Model	Order no.	Note
LKH/M 02	<b>86080020</b>	With 4 through holes for fixing front panels and circuit boards
LKH/M 03	<b>86080030</b>	With 2 M 2.5 threads for fixing of front panels and circuit boards
BFS/M 0100	<b>86000010</b>	SHR Z M 4x14-S0, toothed, galvanised steel, torx 20, for all Interzoll Modul profiles
BFS/M 0200	<b>86000020</b>	SHR Z KT 2.5x9.3, galvanised steel, torx 8, for FLS/M, KF/M...
BFS/M 1900	<b>86000190</b>	SHR Z M 2.5 x 8, anodised steel, cross-head, for FX/M, LKH/M 03
BFS/M 2000	<b>86000200</b>	MU M 2.5-6KT, galvanised steel, for LKH/M 02
BFS/M 2100	<b>86000210</b>	SHR S M 2.5x8, galvanised steel, cross-head, for ST/M (-EMV), LKH/M 02, 03
BFS/M 2600	<b>86000260</b>	SHR Z M 2.5x16, galvanised steel, recessed screw head, for LKH/M 02, 03

Scope Of Delivery: LKH/M: 10 Stück BFS/M: 20 Stück

LKH/M 02



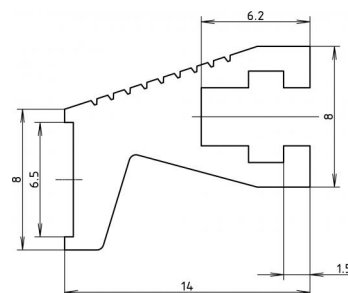
LKH/M 03



### Handle profile, natural-coloured anodised aluminium, metre profile

Model	Order no.
GRL/M 1000-AL	<b>86081740</b>

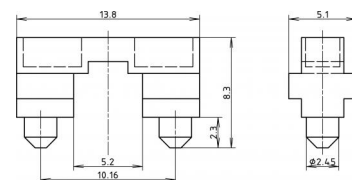
Scope Of Delivery: 1m handle profile



### Fixing piece, plastic, black, for fixing the handle profile GRL to the front panel

Model	Order no.
FX/M	<b>86081750</b>

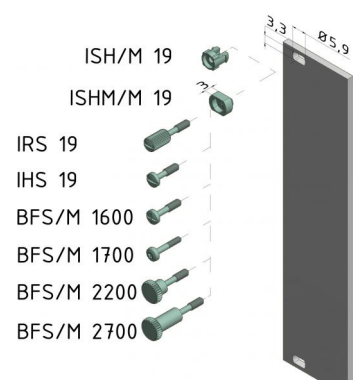
Scope Of Delivery: 20 fixing pieces



### Mounting material for part front panels and plug-in units

Model	Order no.	Note
ISH/M 19	<b>86080510</b>	Plastic screwholder, PA 6, grey
ISHM/M 19	<b>86080500</b>	Metal screw holder, stainless steel (1.4305), for conductive contacting for riveting to the front panel
IRS 19	<b>54700420</b>	Slotted knurled screw, collar screws SHR R M2.5x11.3x6.3-SP
IHS 19	<b>54700410</b>	Collar screws SHR Z M2.5x11.3x6.3-SP, slotted-head screw
BFS/M 1600	<b>86000160</b>	Collar screws, SHR Z M 2.5x12.3x6.5-SP, nickel-plated steel, for front panels
BFS/M 1700	<b>86000170</b>	Collar screws, SHR Z M 2.5x12.3x6.5-SP, nickel-plated steel, for front panels, torx 8
BFS/M 2200	<b>86000220</b>	Knurled screw without slot, SHR R M 2.5x12.3x6.5-SPx18.3, nickel-plated steel
BFS/M 2700	<b>86000270</b>	Knurled screw without slot, SHR R M 2.5x12.3x6.5-SPx25.3, anodised steel, for PF/M with long lip

Scope Of Delivery: ISH 19 / IRS 19 = 10 pieces, otherwise 20 pieces



- IRS 19
- IHS 19
- BFS/M 1600
- BFS/M 1700
- BFS/M 2200
- BFS/M 2700