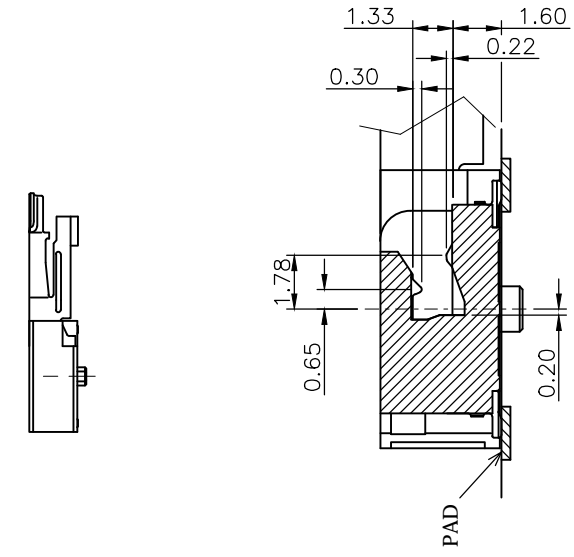
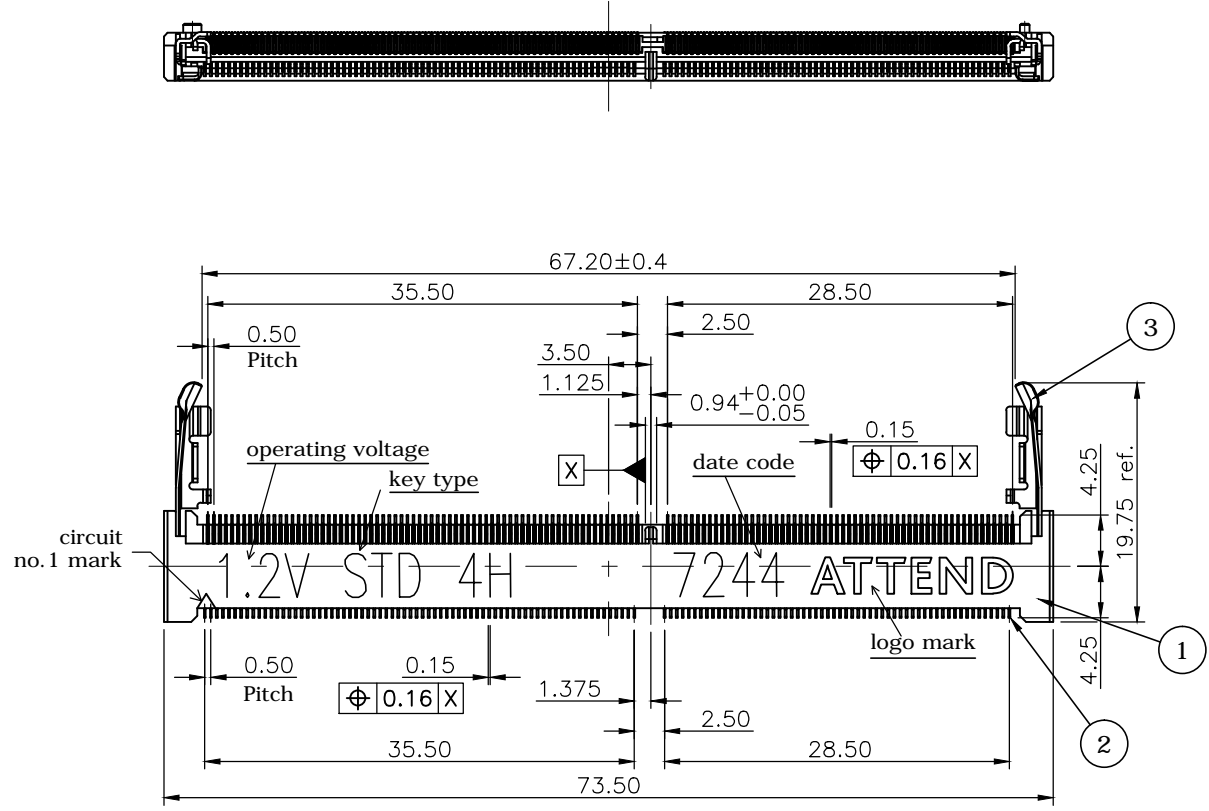
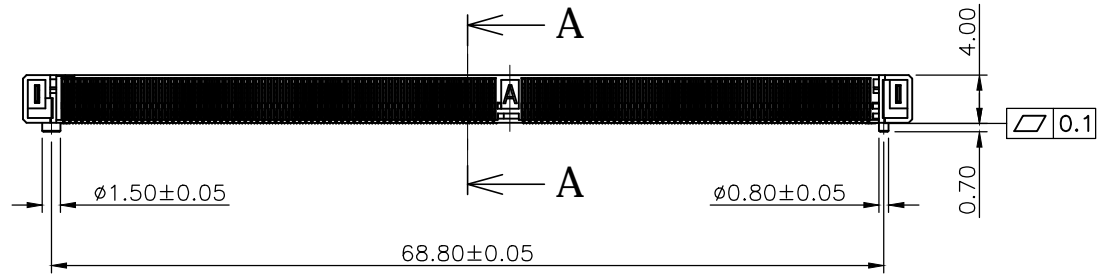


REV.	DESCRIPTION	DRAWN	DATE
1	Initial release	FROS	2017/09/01

DATE CODE: 7244 (YWWDD)
 Y: YEAR (2017)
 WW: WEEK (01~52)
 D: DAY (1~7)



SECTION A-A, SCALE 4/1




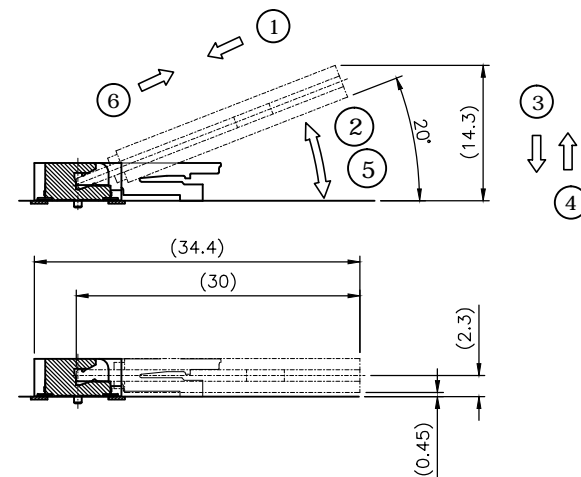
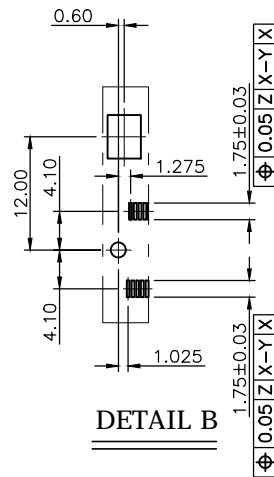
3	LATCH	SUS, matt-tin plating over nickel on solder area		
2	CONTACT	Copper alloy, selective gold plating over nickel		
1	HOUSING	LCP, UL94V-0, Black		
NO. PART NAME		DESCRIPTION		
UNLESS OTHERWISE SPECIFIED TOLERANCE				
UNIT:	DECIMAL	LINEAR	ANGLES	
	X.	±0.50	±5°	
	X.X	±0.25	±3°	
	X.XX	±0.12	±1°	
www.attend.com.tw				
DRAWN	Fros	2017/08/03	DRAWN NAME: DDR4 SODIMM Horizontal Socket 4.0H STD, G/F, Black, Reel, Solder Latch	
CHECKED	Tim	2017/08/03		
APPROVED	Ken	2017/08/03	PRODUCT NO. 124A-40A00	
SCALE 1.6/1		SHEET 1/2	SIZE A4	FILE NAME 124A-40A00_B_1



REV.	DESCRIPTION	DRAWN	DATE
	SEE SHEET ONE		

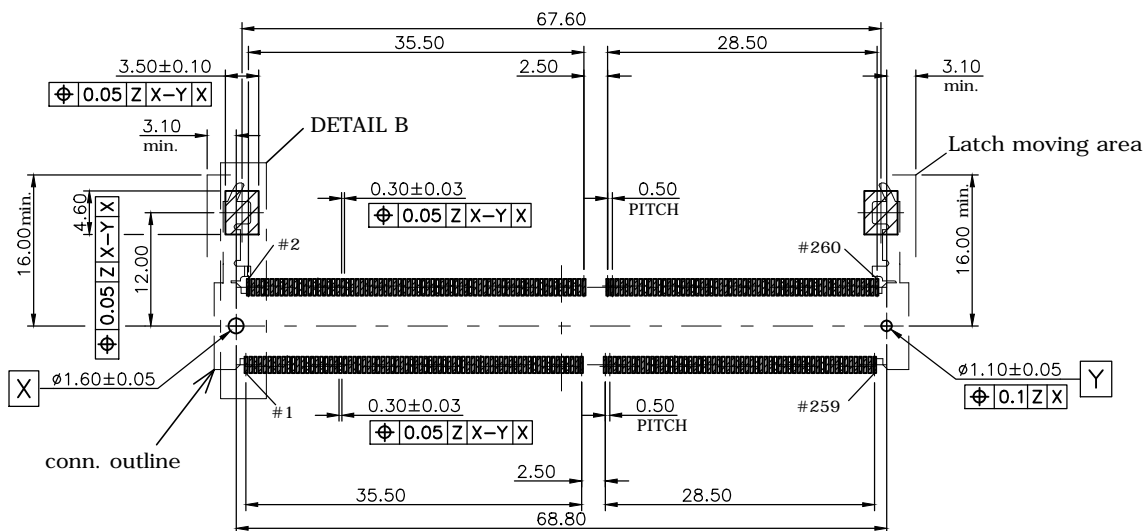
NOTE:

1. A PCB side be DETAM-"Z"
2. Connector outline. no component area.
3. Latch moving area. no component area.
4.  PAD



MATING: ① INSERTING(20°) → ② ROTATING(0°) → ③ FIXED
 UNMATING: ④ UNFIXED → ⑤ RISE UP (20°) → ⑥ EXTRACTING

MATING/UNMATING VIEW



RECOMMENDED LAYOUT (TOP VIEW)
GENERAL TOLERANCE: ±0.05

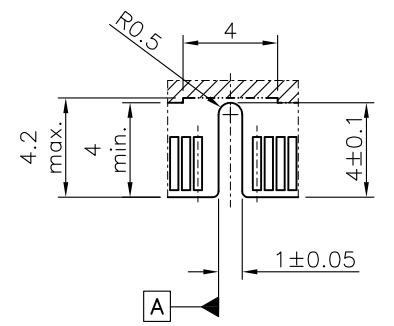
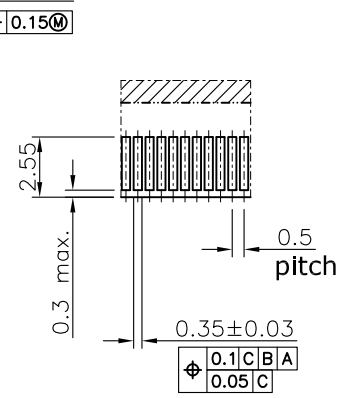
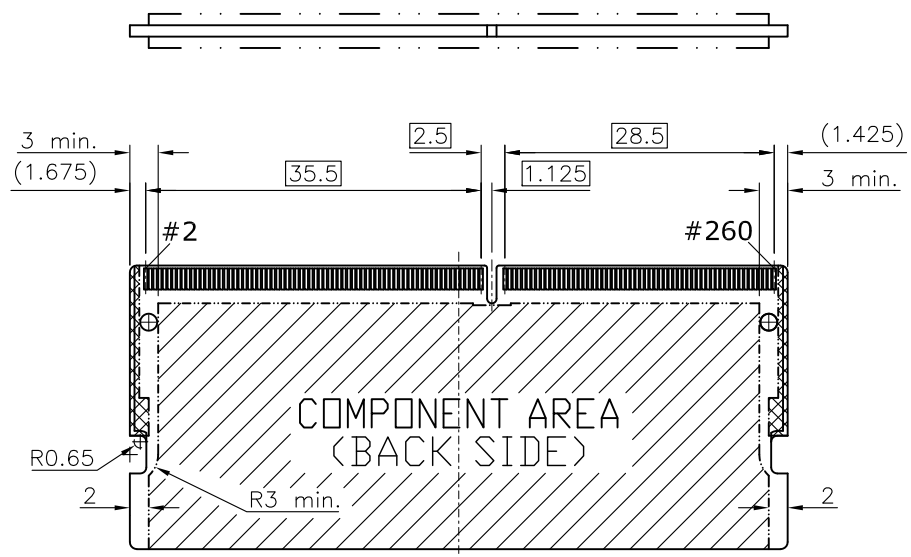
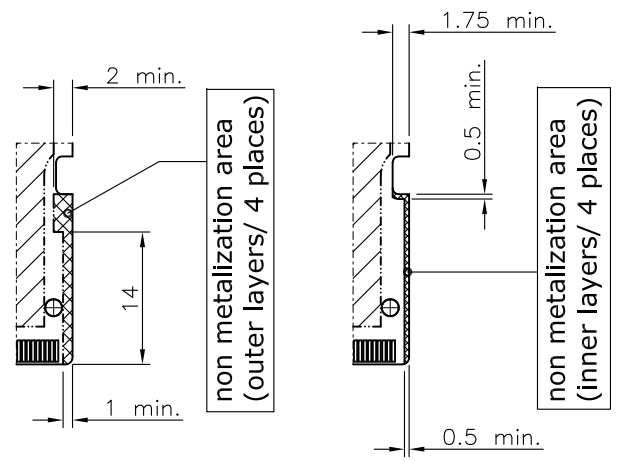
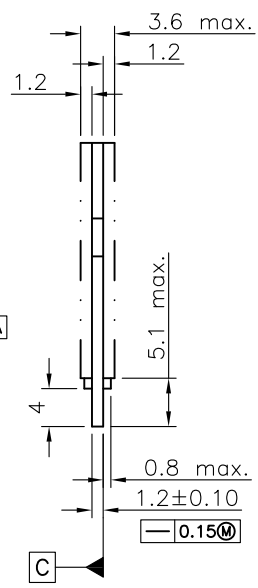
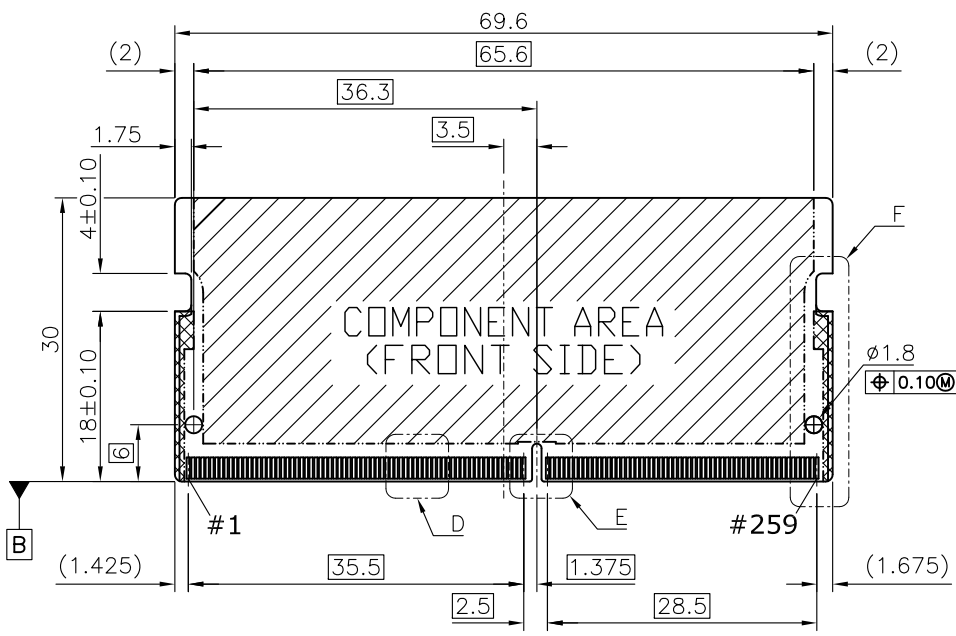
UNLESS OTHERWISE SPECIFIED TOLERANCE			
UNIT:	DECIMAL	LINEAR	ANGLES
mm	X.	±0.50	±5°
	X.X	±0.25	±3°
	X.XX	±0.12	±1°




www.attend.com.tw

DRAWN	Fros	2017/08/03	DRAWN NAME:
CHECKED	Tim	2017/08/03	DDR4 SODIMM Horizontal Socket
APPROVED	Ken	2017/08/03	4.0H STD, G/F, Black, Reel, Solder Latch
SCALE	1.25/1	SHEET	2/2
SIZE	A4	PRODUCT NO.	124A-40A00
FILE NAME	124A-40A00_B_1		

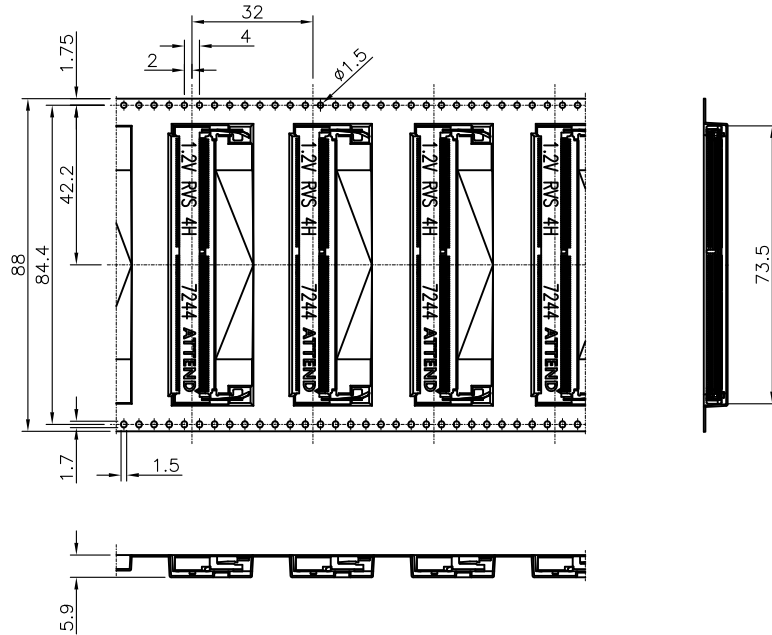
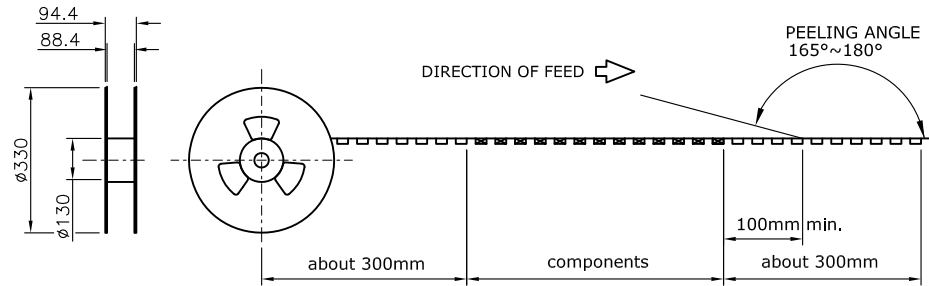
REV.	DESCRIPTION	DRAWN	DATE
1	INITIAL RELEASE	FROS	2017/02/23



Note: tolerance on dimensions is ± 0.15 unless otherwise specified.

UNLESS OTHERWISE SPECIFIED TOLERANCE					
UNIT:	DECIMAL	LINEAR	ANGLES		
mm	X.	± 0.50	$\pm 5^\circ$	www.attend.com.tw	
	X.X	± 0.25	$\pm 3^\circ$		
	X.XX	± 0.12	$\pm 1^\circ$		
DRAWN	Fros	2017/02/23	DRAWN NAME: DDR4 SODIMM CARD SPEC.		
CHECKED	Tim	2017/02/23	PRODUCT NO.		
APPROVED	Ken	2017/02/23	FILE NAME 124-CARD_B_1		
SCALE 1.25/1		SHEET 1/1	SIZE A4		

REV.	DESCRIPTION	DRAWN	DATE
1	INITIAL RELEASE	FROS	2017/08/03



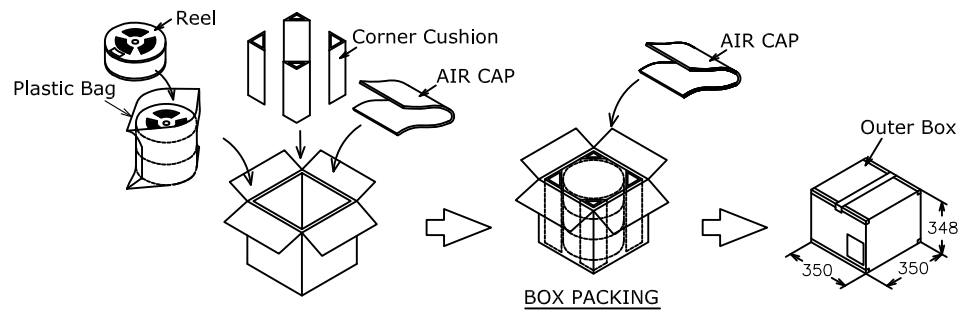
PACKAGING SPECIFICATION:

1. MATERIAL

- 1.1 Embossed Carrier Tape: PS Black
- 1.2 Top Cover Tape: PET
0.1N-1.5N(Peel Speed 300mm/Minute)
- 1.3 Taping Reel: Plastic

2. PACKING

- 2.1 Quantity:
250 Piece/Reel
3 Reel/Carton
750 Piece/Carton
- 2.2 Weight: 6.5Kg



NO.	P/N	Description
1	124A-40A00	DDR4 Horizontal 4.0H, STD, Solder Latch
2	124A-40A10	DDR4 Horizontal 4.0H, RVS, Solder Latch

UNLESS OTHERWISE SPECIFIED TOLERANCE			
UNIT:	DECIMAL	LINEAR	ANGLES
mm	X.	±0.50	±5°
	X.X	±0.25	±3°
	X.XX	±0.12	±1°

DRAWN		Fros	2017/08/03	DRAWN NAME:	
CHECKED		Tim	2017/08/03	Packaging Specifications	
APPROVED		Ken	2017/08/03	PRODUCT NO. SEE TABLE	
SCALE	SHEET	SIZE	FILE NAME	124A-40AX0_D_1	
N/A	1/1	A4			



www.attend.com.tw