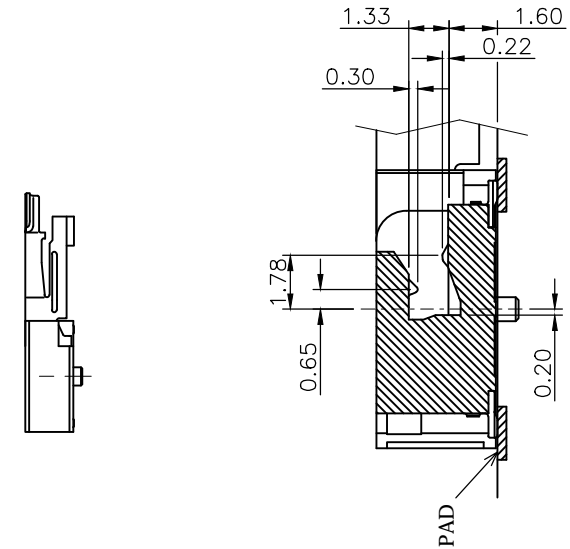
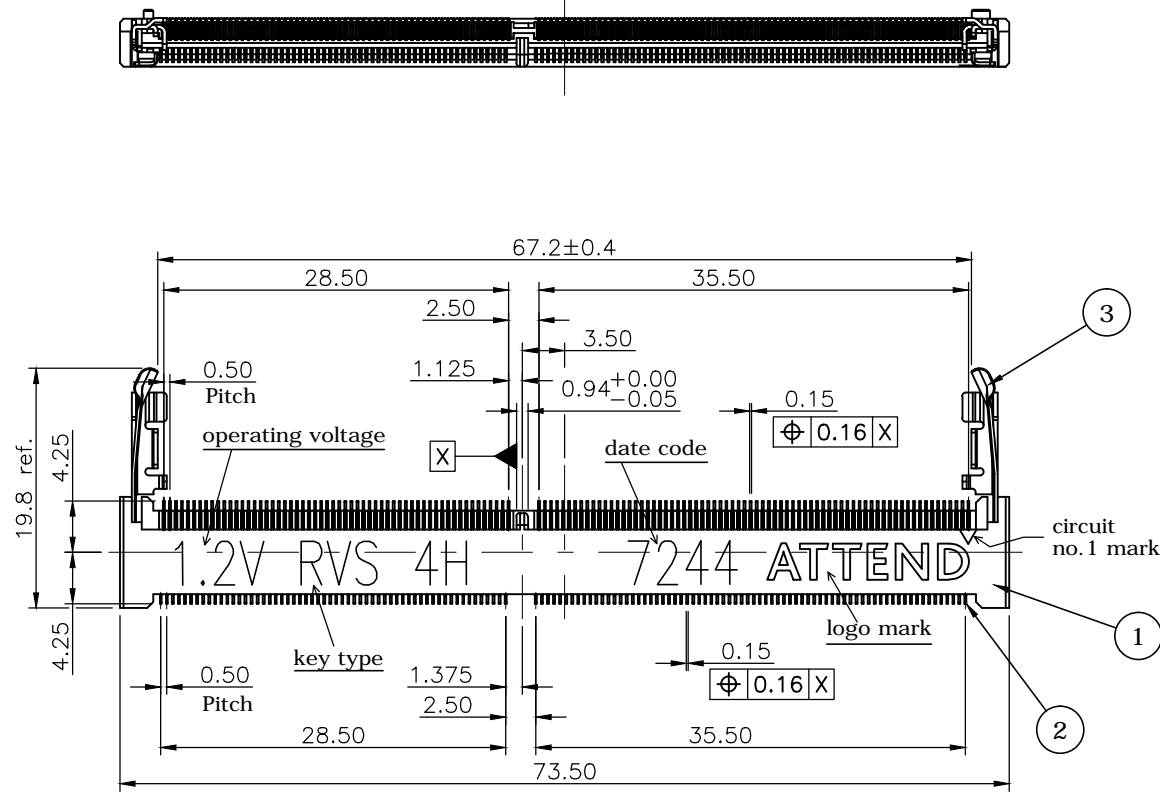
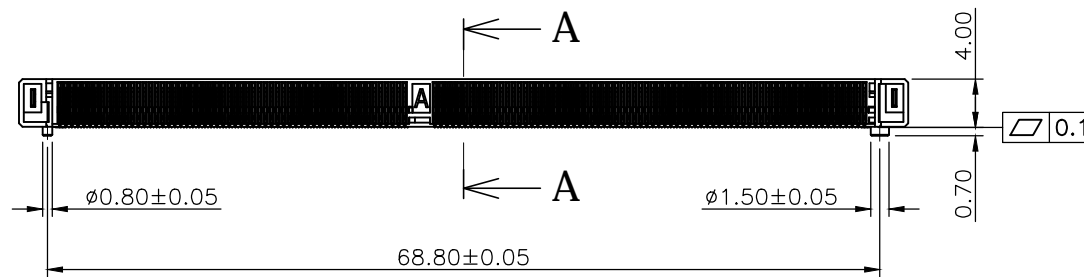


REV.	DESCRIPTION	DRAWN	DATE
1	Initial release	FROS	2017/09/01

DATE CODE: 7244 (YWWDD)  
 Y: YEAR (2017)  
 WW: WEEK (01~52)  
 D: DAY (1~7)



SECTION A-A, SCALE 4/1




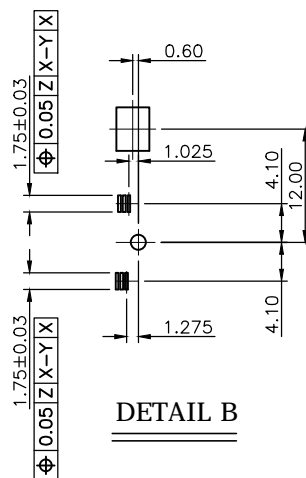
3	LATCH	SUS, matt-tin plating over nickel on solder area		
2	CONTACT	Copper alloy, selective gold plating over nickel		
1	HOUSING	LCP, UL94V-0, Black		
NO. PART NAME		DESCRIPTION		
UNLESS OTHERWISE SPECIFIED TOLERANCE				
UNIT:	DECIMAL	LINEAR	ANGLES	
	X.	±0.50	±5°	
	X.X	±0.25	±3°	
	X.XX	±0.12	±1°	
www.attend.com.tw				
DRAWN	Fros	2017/02/23	DRAWN NAME: DDR4 SODIMM Horizontal Socket 4.0H, RVS, G/F, Black, Reel, Solder Latch	
CHECKED	Tim	2017/02/23		
APPROVED	Ken	2017/02/23		PRODUCT NO. 124A-40A10
SCALE	1.6/1	SHEET 1/2		SIZE A4



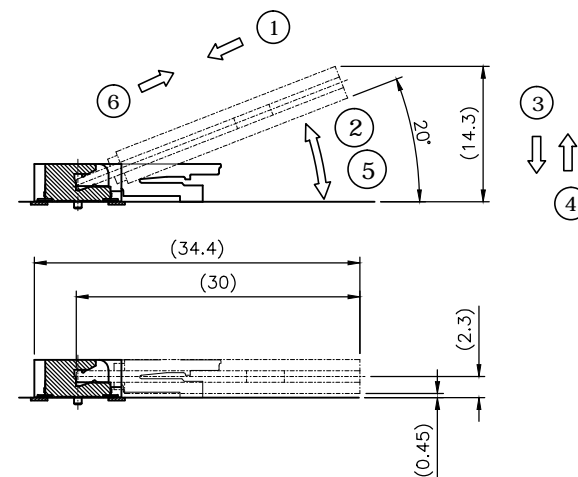
REV.	DESCRIPTION	DRAWN	DATE
	see sheet one		

NOTE:

1. A PCB side be DETAM-"Z"
2. Connector outline. no component area.
3. Latch moving area. no component area.
4.  PAD

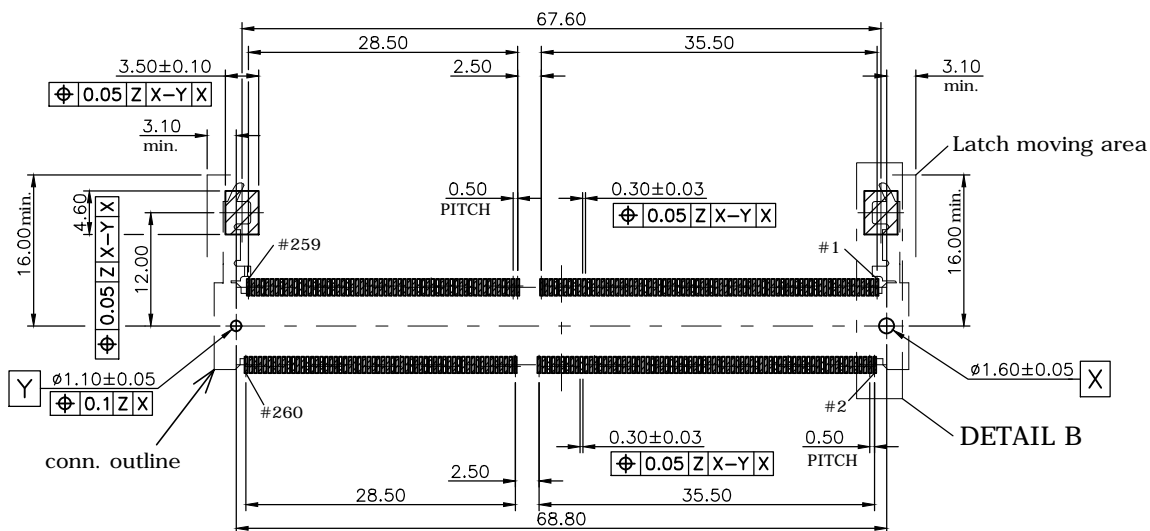


**DETAIL B**




MATING: ① INSERTING(20°) → ② ROTATING(0°) → ③ FIXED  
 UNMATING: ④ UNFIXED → ⑤ RISE UP (20°) → ⑥ EXTRACTING

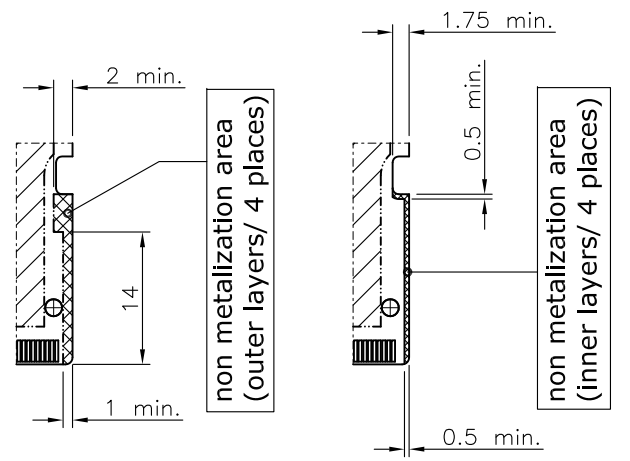
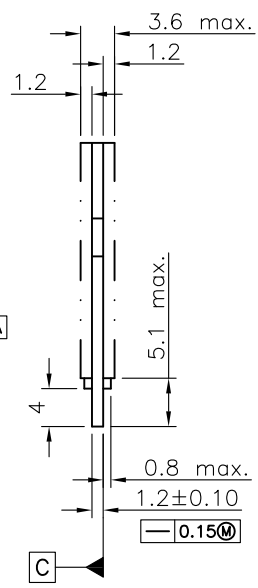
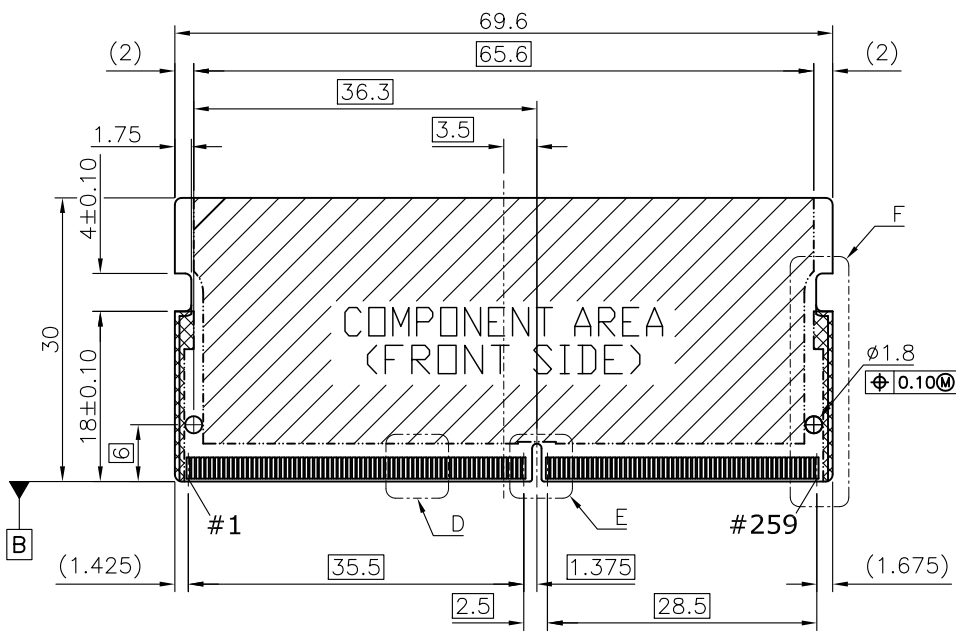
**MATING/UNMATING VIEW**



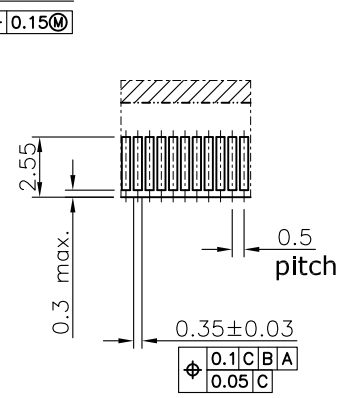
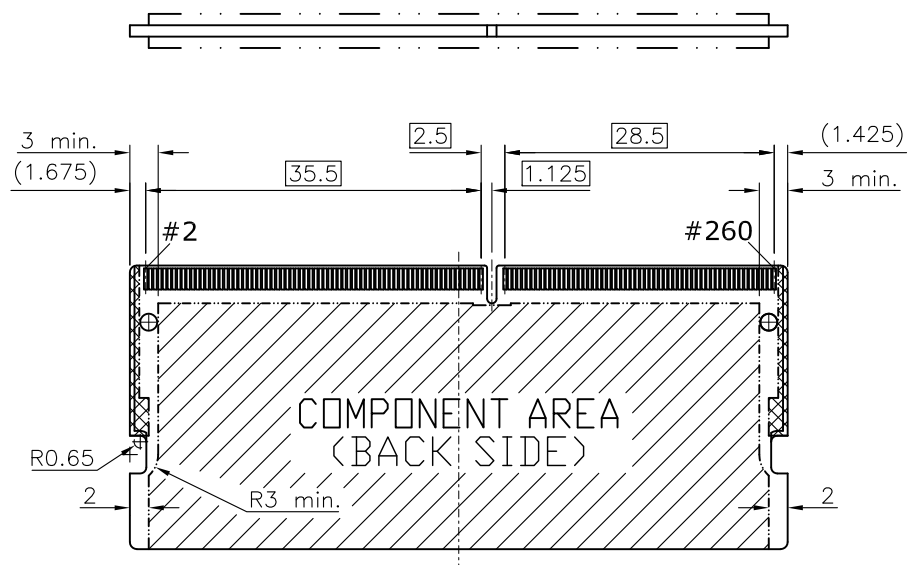
**RECOMMENDED LAYOUT (TOP VIEW)**  
**GENERAL TOLERANCE: ±0.05**

UNLESS OTHERWISE SPECIFIED TOLERANCE				 www.attend.com.tw
UNIT:	DECIMAL	LINEAR	ANGLES	
mm	X.	±0.50	±5°	
	X.X	±0.25	±3°	
	X.XX	±0.12	±1°	
DRAWN	Fros	2017/02/23	DRAWN NAME:	
CHECKED	Tim	2017/02/23	DDR4 SODIMM Horizontal Socket	
APPROVED	Ken	2017/02/23	4.0H, RVS, G/F, Black, Reel, Solder Latch	
SCALE	1.25/1	SHEET 2/2	SIZE A4	PRODUCT NO. 124A-40A10
				FILE NAME 124A-40A10_B_1

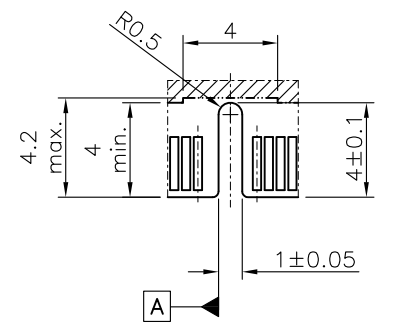
REV.	DESCRIPTION	DRAWN	DATE
1	INITIAL RELEASE	FROS	2017/02/23



**Detail F**




**Detail D**  
**SCALE 3.125**

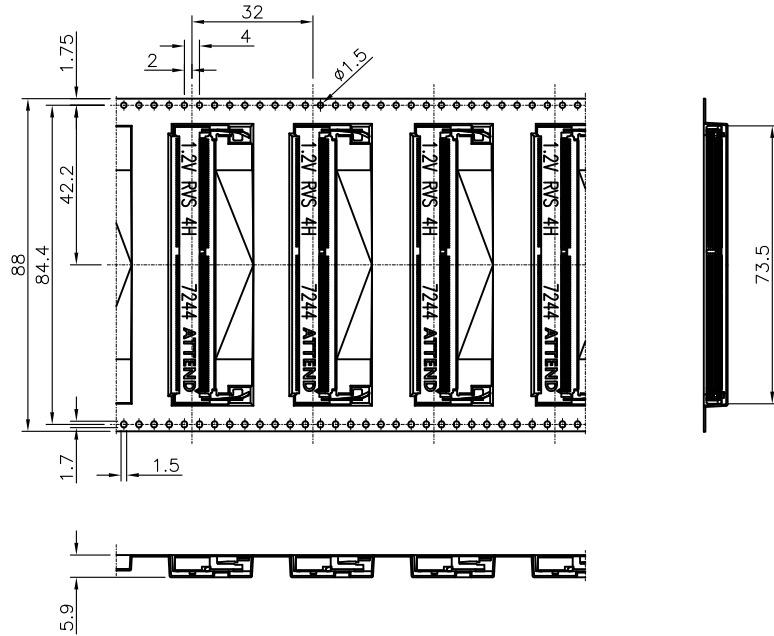
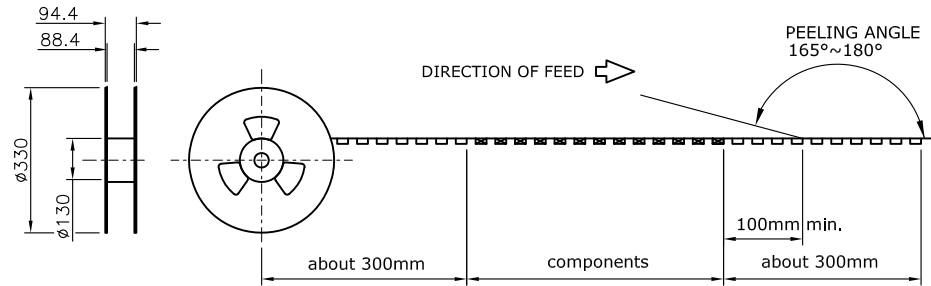


**Detail E**  
**SCALE 3.125**

Note: tolerance on dimensions is  $\pm 0.15$  unless otherwise specified.

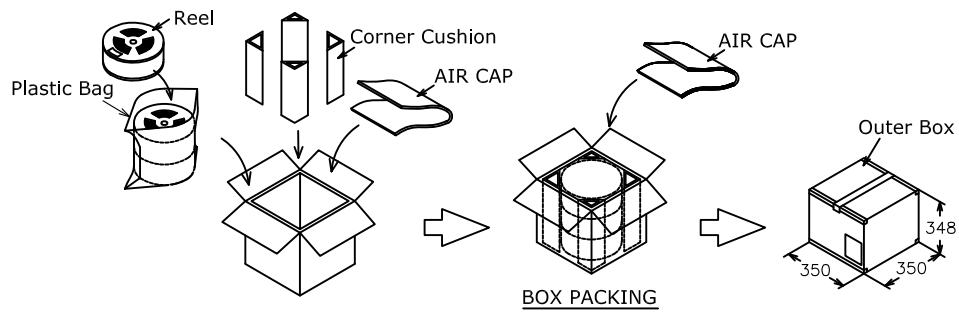
UNLESS OTHERWISE SPECIFIED TOLERANCE					
UNIT:	DECIMAL	LINEAR	ANGLES		
mm	X.	$\pm 0.50$	$\pm 5^\circ$	www.attend.com.tw	
	X.X	$\pm 0.25$	$\pm 3^\circ$		
	X.XX	$\pm 0.12$	$\pm 1^\circ$		
DRAWN	Fros	2017/02/23	DRAWN NAME: DDR4 SODIMM CARD SPEC.		
CHECKED	Tim	2017/02/23	PRODUCT NO.		
APPROVED	Ken	2017/02/23	FILE NAME 124-CARD_B_1		
SCALE 1.25/1		SHEET 1/1	SIZE A4		

REV.	DESCRIPTION	DRAWN	DATE
1	INITIAL RELEASE	FROS	2017/08/03



## PACKAGING SPECIFICATION:

1. MATERIAL
  - 1.1 Embossed Carrier Tape: PS Black
  - 1.2 Top Cover Tape: PET  
0.1N-1.5N(Peel Speed 300mm/Minute)
  - 1.3 Taping Reel: Plastic
2. PACKING
  - 2.1 Quantity:  
250 Piece/Reel  
3 Reel/Carton  
750 Piece/Carton
  - 2.2 Weight: 6.5Kg



NO.	P/N	Description
1	124A-40A00	DDR4 Horizontal 4.0H, STD, Solder Latch
2	124A-40A10	DDR4 Horizontal 4.0H, RVS, Solder Latch

UNLESS OTHERWISE SPECIFIED TOLERANCE			
UNIT:	DECIMAL	LINEAR	ANGLES
mm	X.	±0.50	±5°
	X.X	±0.25	±3°
	X.XX	±0.12	±1°

DRAWN	Fros	2017/08/03	DRAWN NAME: Packaging Specifications DDR4 Horizontal Socket, 4H				
CHECKED	Tim	2017/08/03					
APPROVED	Ken	2017/08/03					
SCALE	N/A	SHEET	1/1	SIZE	A4	FILE NAME	124A-40AX0_D_1



www.attend.com.tw