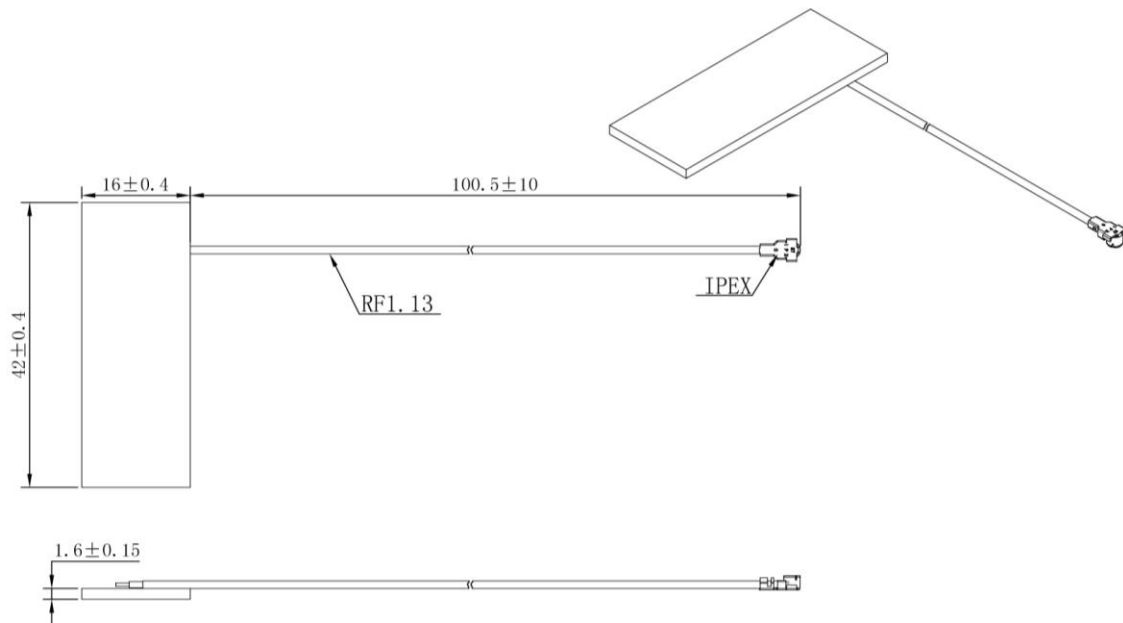


GSM Antenna

JCG126



DIMENSIONS

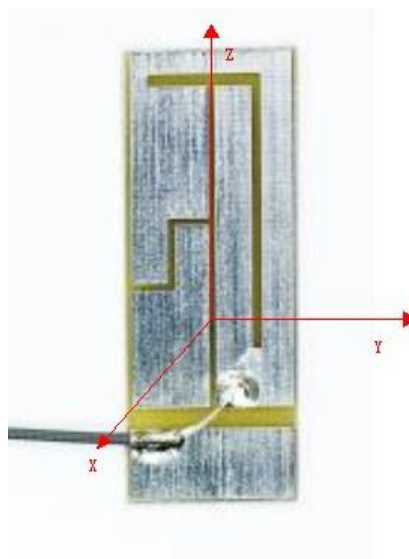
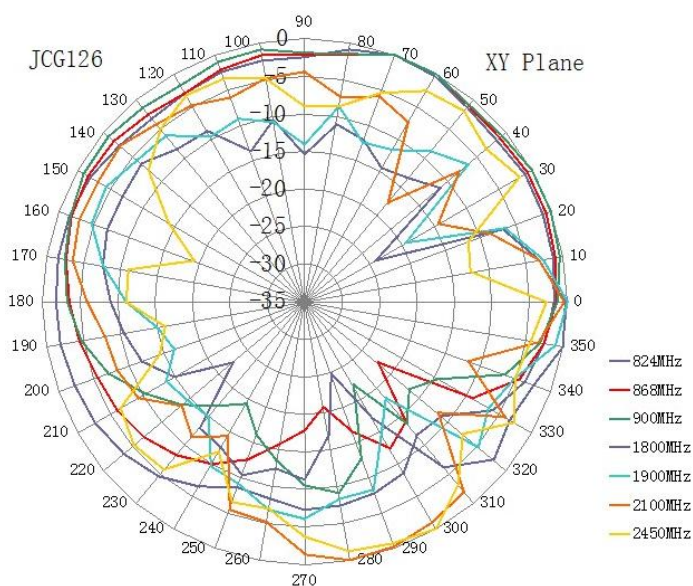


Unit:mm

SPECIFICATIONS

Item	Specifications	
Antenna	Frequency Range	824~960/1710~2170MHz
	Polarization	Linear
	Gain	0dBi
	V.S.W.R (min)	<2.5
	Impedance	50Ω
	PCB Dimension	42*16*1.6mm
Mechanical	Cable	RF1.13/RF1.37
	Connector	IPEX/MCF
	Mounting Method	Adhesive or Embedded
Environmental	Operating Temperature	-40℃~+85℃
	Relative Humidity	Up to 95%
	Vibration	10 to 55Hz with 1.5mm amplitude 2hours
	Environmentally Friendly	ROHS Compliant

Radiation Pattern





Jinchang Electron Global Service

