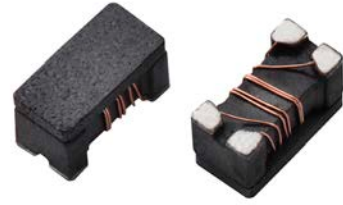


## SMD COMMON MODE CHOKE / WCB TYPE

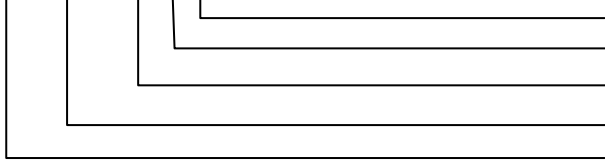
### FEATURES

Miniature SMD type common mode filter for fully automated assembly.  
 Wide impedance range (90Ω~2200Ω) for noise suppression.  
 Excellent Solderability.



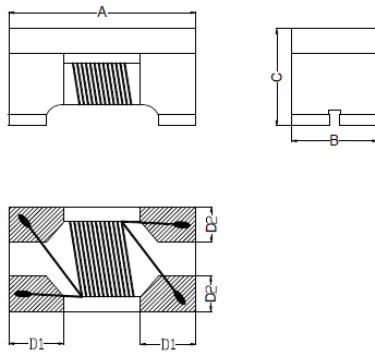
### ORDERING CODE

WCB 3216 - 900 Y-N



Note: lead-free  
 Tolerance ( Y:±25%)  
 Impedance (900= 90Ω)  
 Dimension (Ax B)  
 SMD Common Mode

### DIMENSIONS (UNIT: mm)



A	3.20 ± 0.2	m/m
B	1.60 ± 0.2	m/m
C	2.00 ± 0.2	m/m
D1	0.50 (Ref)	m/m
D2	0.50 (Ref)	m/m

### ELECTRICAL CHARACTERISTICS WCB3216

Part No.	Impedance (Ω)100MHz	DC Resistance (Ω) Max	Rated Current (mA)Max
WCB 3216-900Y-N	90	0.30	400
WCB 3216-161Y-N	160	0.35	350
WCB 3216-221Y-N	220	0.45	300



**CORE MASTER ENTERPRISE CO., LTD.**

<http://www.coremaster.com.tw>