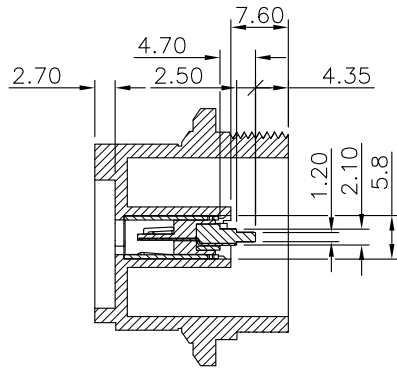
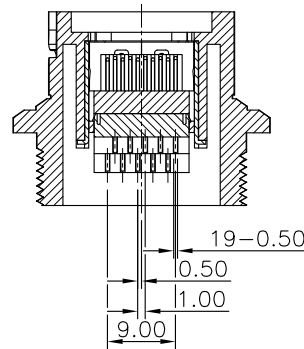


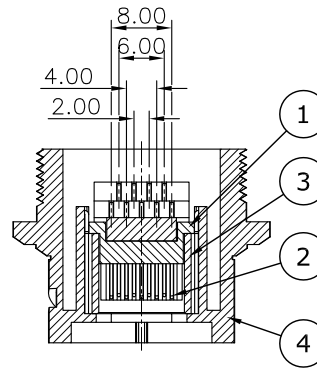
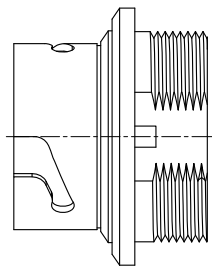
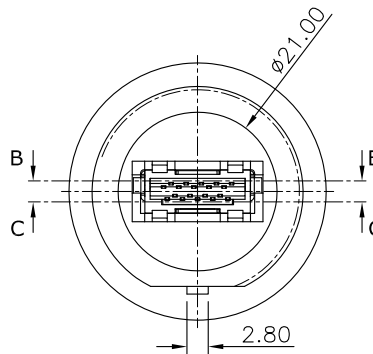
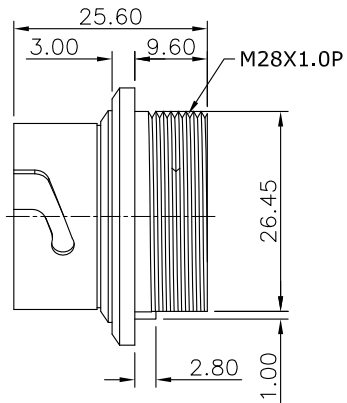
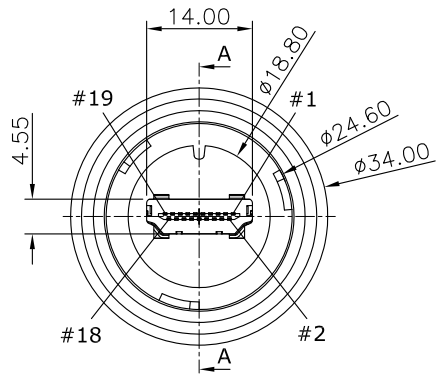
REV.	DESCRIPTION	DRAWN	DATE
1	INITIAL RELEASE	TIM	2016/09/05



SECTION A-A



SECTION B-B


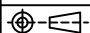


SECTION C-C

SPECIFICATION:

- 1.1 Current Rating: 0.5A per pin
- 1.2 Voltage Rating: 40V AC
- 1.3 Water Proof: IPX7
- 1.4 Operation Temperature: -20°C to +85°C

4	BODY	PBT, UL94V-0,Black
3	SHELL	Brass
2	CONTACT	Phosphor Bronze, 15u"Gold plating on contact area, Tin plating on solder tail,under plated Nickel
1	HOUSING	LCP, UL94V-0,Black
NO	PART NAME	DESCRIPTION

UNLESS OTHERWISE SPECIFIED TOLERANCE					
UNIT:	DECIMAL	LINEAR	ANGLES		
mm	X.	±0.50	±5°	WWW.ATTEND.COM.TW	
	X.X	±0.25	±3°		
	X.XX	±0.12	±1°		
DRAWN	Tim	2016/09/05	DRAWN NAME: HDMI Type Water Proof Socket		
CHECKED	Fros	2016/09/05			
APPROVED	Ken	2016/09/05	PRODUCT NO.	222A-02001	
	SCALE 1/1	SHEET 1/1	SIZE A4	FILE NAME	222A-02001_B_1