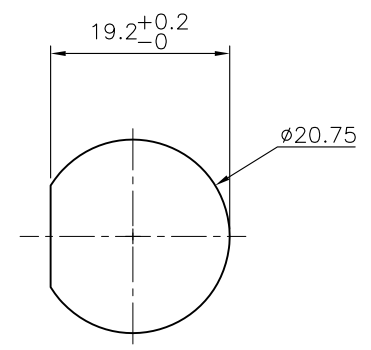
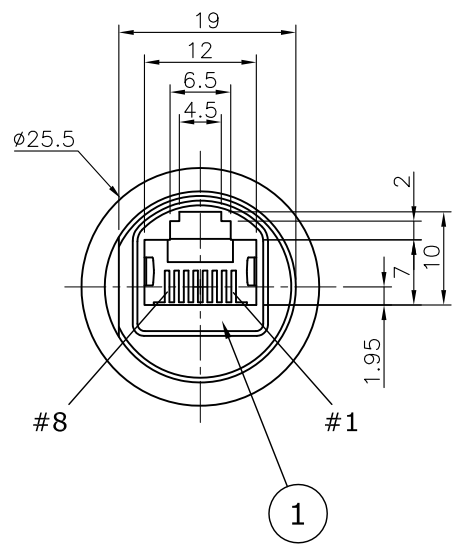
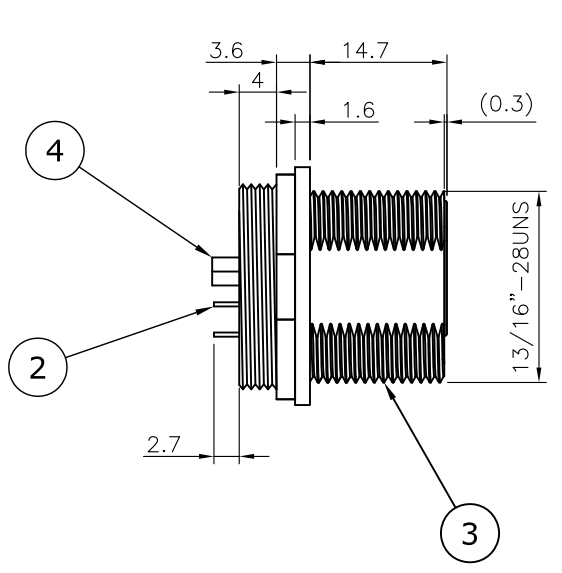


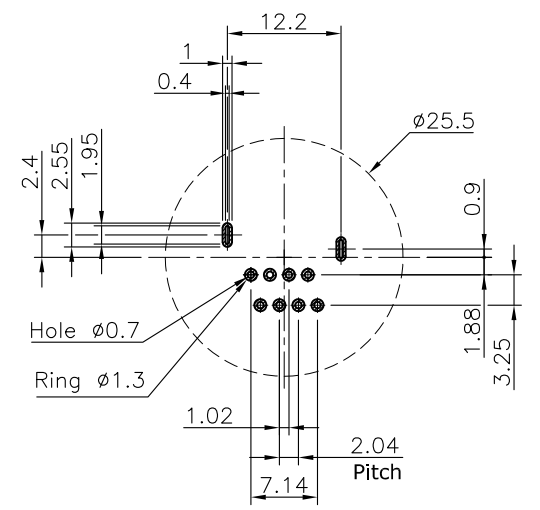
REV.	DESCRIPTION	DRAWN	DATE
1	INITIAL RELEASE	TIM	2016/09/19

SPECIFICATION:

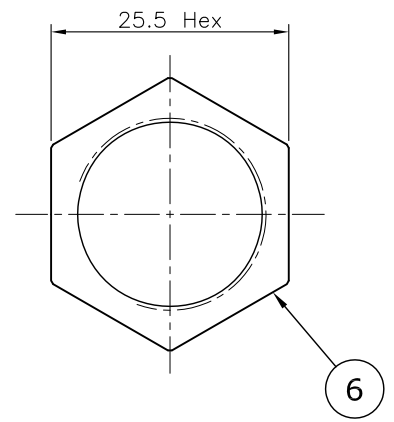
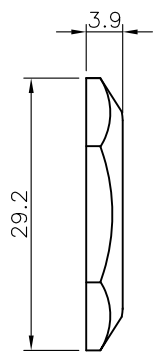
- 1.1 Current Rating: 2A per pin
- 1.2 Voltage Rating: 250V AC/DC
- 1.3 Water Proof: IPX7
- 1.4 Operation Temperature: -40°C to +85°C



Recommended Panel Cut Out




Recommended Layout (top veiw)
General Tolerance: ±0.10mm



Nut

NO.	PART NAME	DESCRIPTION
7	EPOXY BASE	EF400A&EF400B, Black
6	NUT	Brass, Nickel plating
5	O-RING	EPDM, Black
4	GROUND	SUS301, Nickel plating
3	SHELL	Zn Alloy, Nickel plating
2	CONTACT	Phosphor Bronze, Gold plating over Nickel
1	HOUSING	PBT, UL94V-0, Black

UNLESS OTHERWISE SPECIFIED TOLERANCE					
UNIT:	DECIMAL	LINEAR	ANGLES		
mm	X.	±0.50	±5°	WWW.ATTEND.COM.TW	
	X.X	±0.25	±3°		
	X.XX	±0.12	±1°		
DRAWN	Tim	2016/09/19	DRAWN NAME: RJ45 8P8C Water Proof Socket		
CHECKED	Fros	2016/09/19			
APPROVED	Ken	2016/09/19	PRODUCT NO.	222A-03001	
SCALE	1.25	SHEET	1/1	SIZE	A4
			FILE NAME	222A-03001_B_1	