

B6703102
RAILTEC C, 4 modules, Vers. II

Enclosure with 2 sides open for connection - for max. 2 terminal guards (accessories). Fast and simple locking capability onto DIN EN 60715 (TH35). Bottom part with fastening pillars. Vertical and horizontal guides for assembling the PCBs. Easy assembly through snap-in installation of the case parts. Terminal guards, frame, front panel, front lid convex see accessories.

Version

Front open, connection side with free through passage, with ventilations slots

Supply

1 bottom part, 2 clips, 1 top part

Technical Data

Material	PC (UL 94 V-0)	Width	71 mm
Colour	Bottom and top part light grey, Locking clip black/translucent	Height	90 mm
Standards	RoHS compliant, DIN EN 60715 TH35, REACH compliant	Depth	58 mm

Purchasing Data

Supply	1 bottom part, 2 clips, 1 top part
Pack size	1 piece(s)
Minimum order quantity (MOQ)	1 pack
Weight/1 part	46 g
Customs tariff number (OKW product)	39269097
Country of manufacture	U.K.

B6703102
RAILTEC C, 4 modules, Vers. II

Suitable System Components / Accessories






















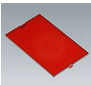
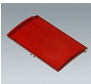
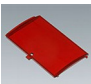
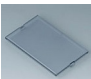








Photo	Part-No.	Article Version	Protection class	Material	Colour	Outside dim.
Accessory "wall/holder"						
	B6811542	Adapter		PA 6 (UL 94 V-0)	green	
Accessory "terminals"						
	B6601222	Plug header, block 5.08		PA 6 (UL 94 V-0)		
	B6601223	Plug header, block 5.08		PA 6 (UL 94 V-0)		
	B6602222	Plug header, block 5.08		PA 6 (UL 94 V-0)		
	B6602223	Plug header, block 5.08		PA 6 (UL 94 V-0)		
	B6603222	Plug header, block 5.08		PA 6 (UL 94 V-0)		
	B6603223	Plug header, block 5.08		PA 6 (UL 94 V-0)		
	B6606222	Plug header, block 5.08		PA 6 (UL 94 V-0)		
	B6606223	Plug header, block 5.08		PA 6 (UL 94 V-0)		
	B6803650	Terminal block, block 5.08		PA 68 (UL 94 V-0)	light grey	
Accessory "terminal guards"						
	B6803111	Terminal guards, closed		PC (UL 94 V-0)	light grey	
	B6803112	Terminal guards, perforated, 5.08		PC (UL 94 V-0)	light grey	
	B6803113	Terminal guards, with holes, 5.08		PC (UL 94 V-0)	light grey	
	B6803114	Terminal guards, with holes, 7.5 & 7.62		PC (UL 94 V-0)	light grey	

Photo	Part-No.	Article Version	Protection class	Material	Colour	Outside dim.
	B6803115	Terminal guards, with holes, 10.16		PC (UL 94 V-0)	light grey	
Accessory						
	B6803100	Front panel		PC (UL 94 V-0)	light grey	67x42mm
	B6803101	Front lid convex without hinge		PC (UL 94 V-0)	light grey	
	B6803120	Frame		PC (UL 94 V-0)	light grey	
	B6803200	Front panel		PC (UL 94 V-0)	transparent	67x42mm
	B6803201	Front lid convex without hinge		PC (UL 94 V-0)	transparent	
	B6803202	Front lid convex with hinge		PC (UL 94 V-0)	transparent	
	B6803300	Front panel		PC (UL 94 V-0)	red transparent	67x42mm
	B6803301	Front lid convex without hinge		PC (UL 94 V-0)	red transparent	
	B6803302	Front lid convex with hinge		PC (UL 94 V-0)	red transparent	
	B6803400	Front panel		PC (UL 94 V-0)	smoked glass	67x42mm

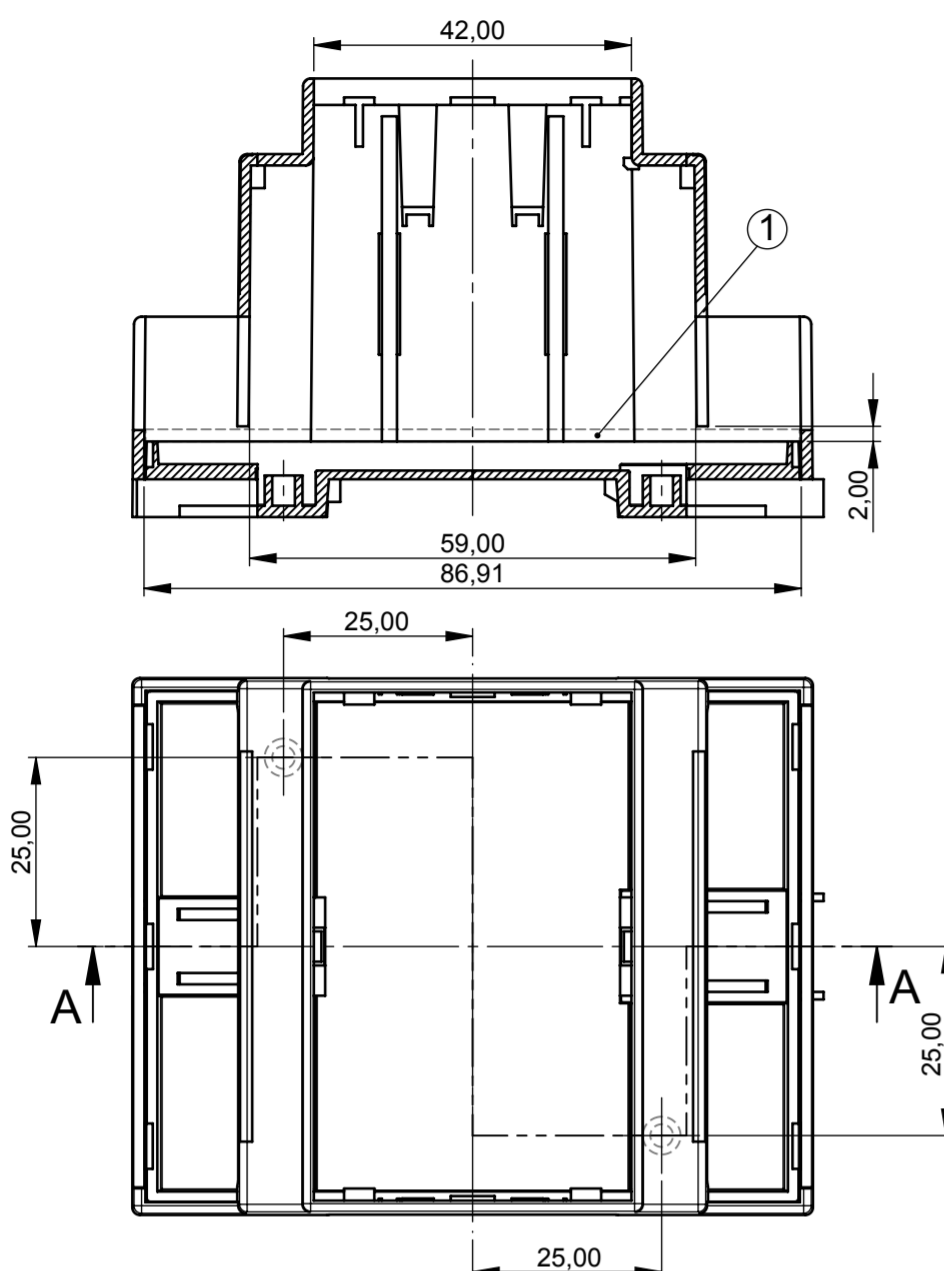
Customising options

What else do you need to create your own personal product? We can supply our enclosures and tuning knobs fully modified to suit your electronic components and design requirements.

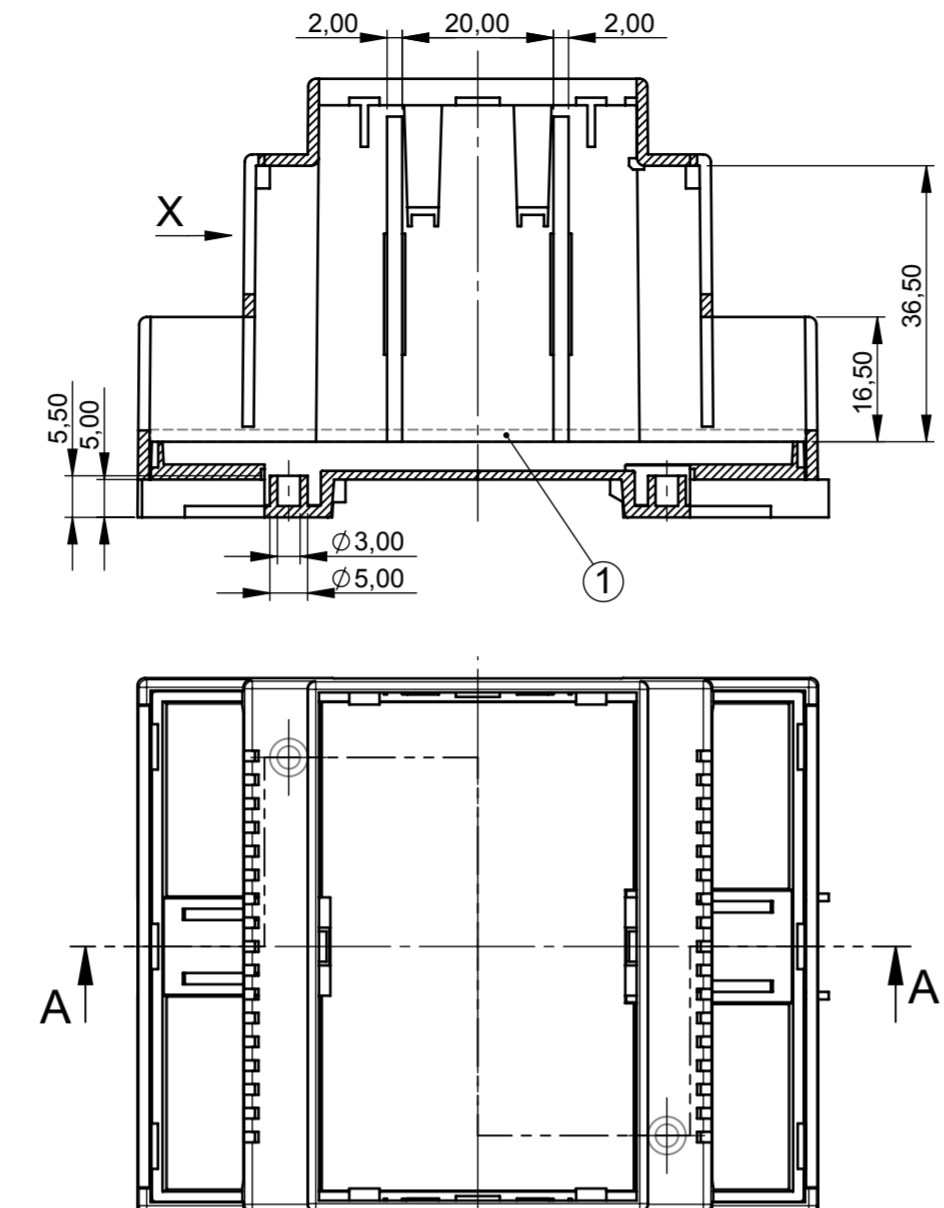
-  EMC Aluminium coating
-  Digital printing parts
-  Display window
-  Plastic and aluminium panels
-  Lacquering
-  Machining
-  Installation / Assembly of accessories
-  Screen/tampo printing

Subject to technical modification without notice. © by OKW Gehäusesysteme, Buchen/Germany.

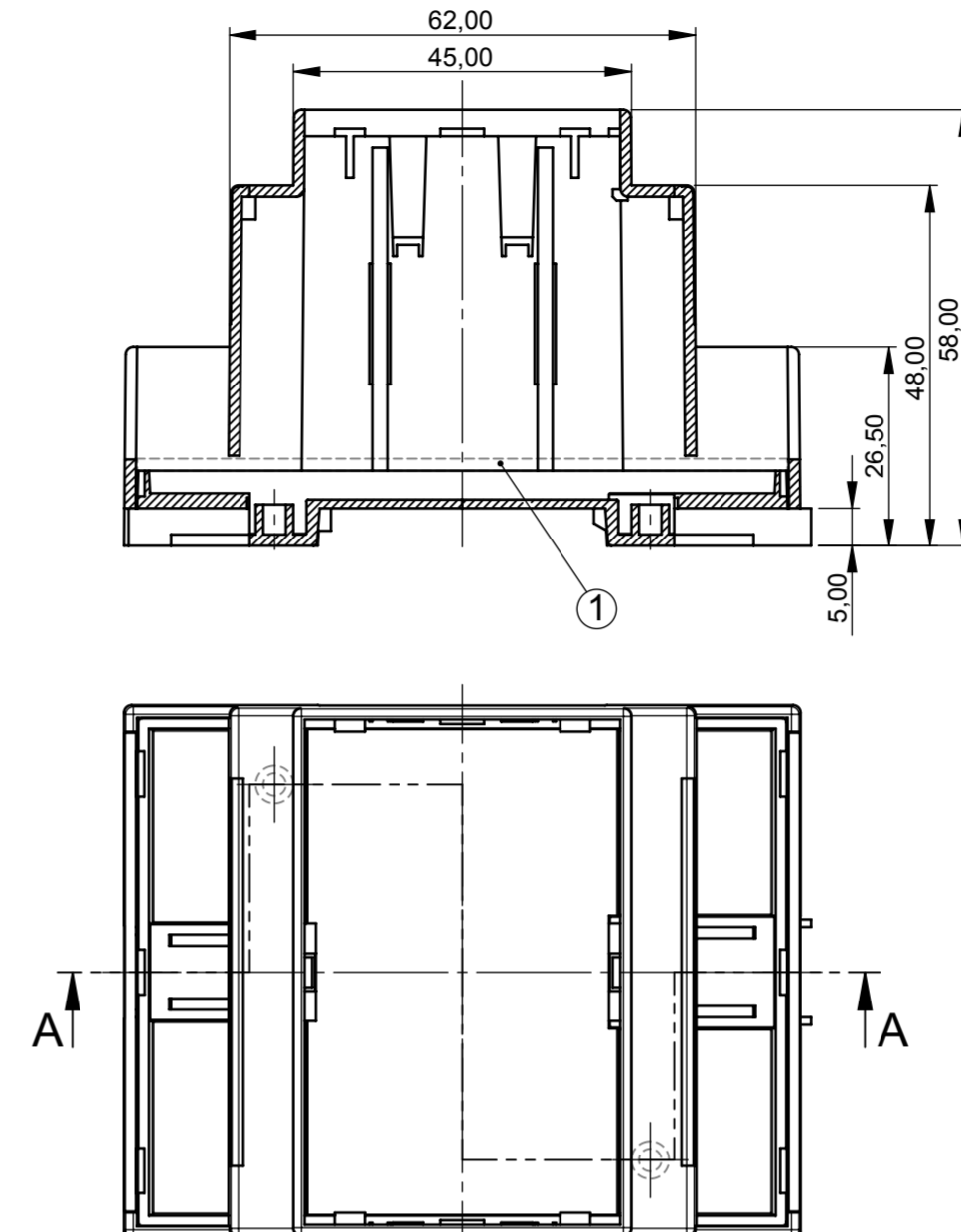
B 67 03 100 A-A
 Vers. I: connection side with free through passage
 front open
 2 sides open



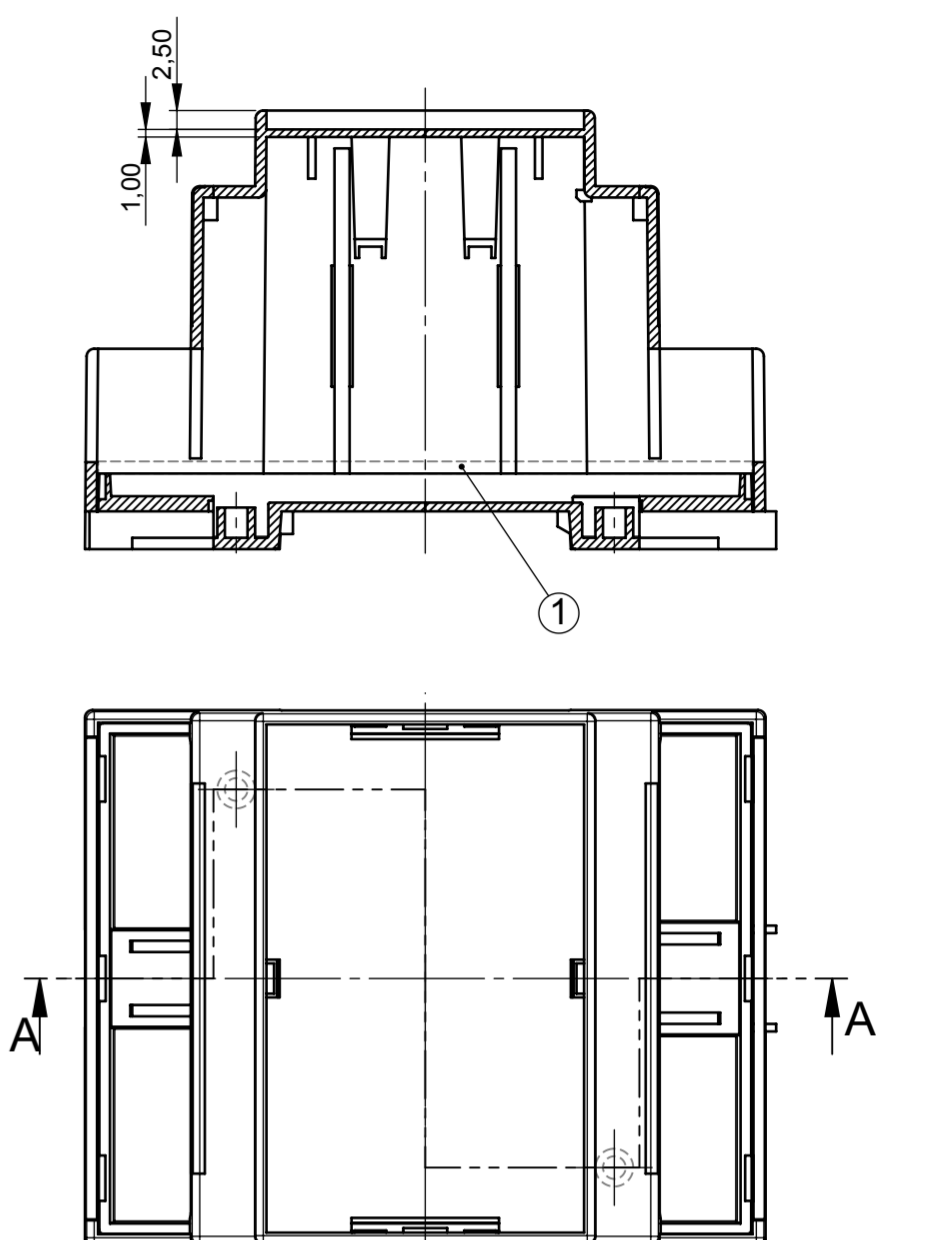
B 67 03 102 A-A
 Vers. II: connection side with free through passage
 front open
 2 sides open



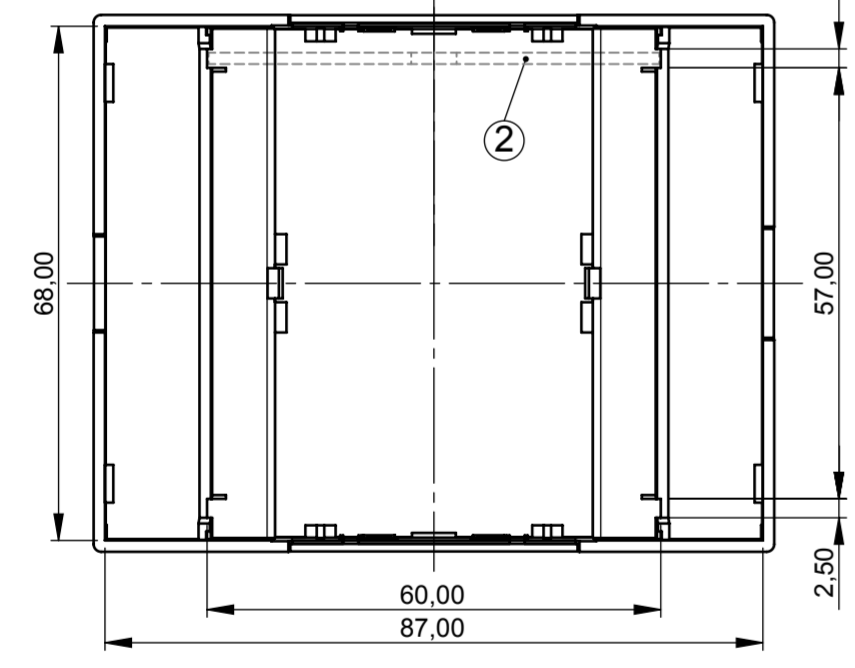
B 67 03 104 A-A
 Vers. III: connection side with extended passage
 front open
 2 sides open



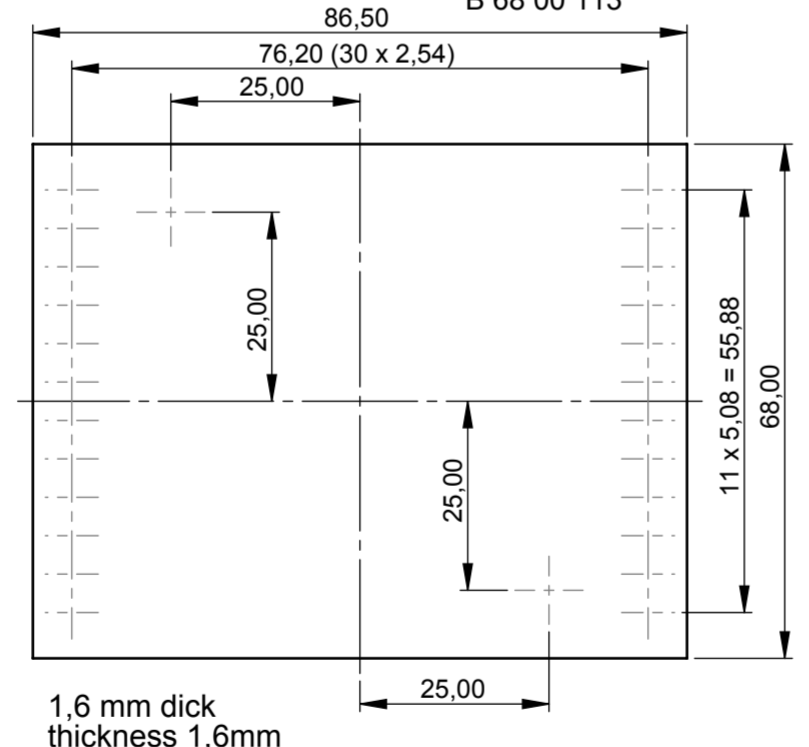
B 67 03 106 A-A
 Vers. IV: connection side with free through passage
 front closed
 2 sides open



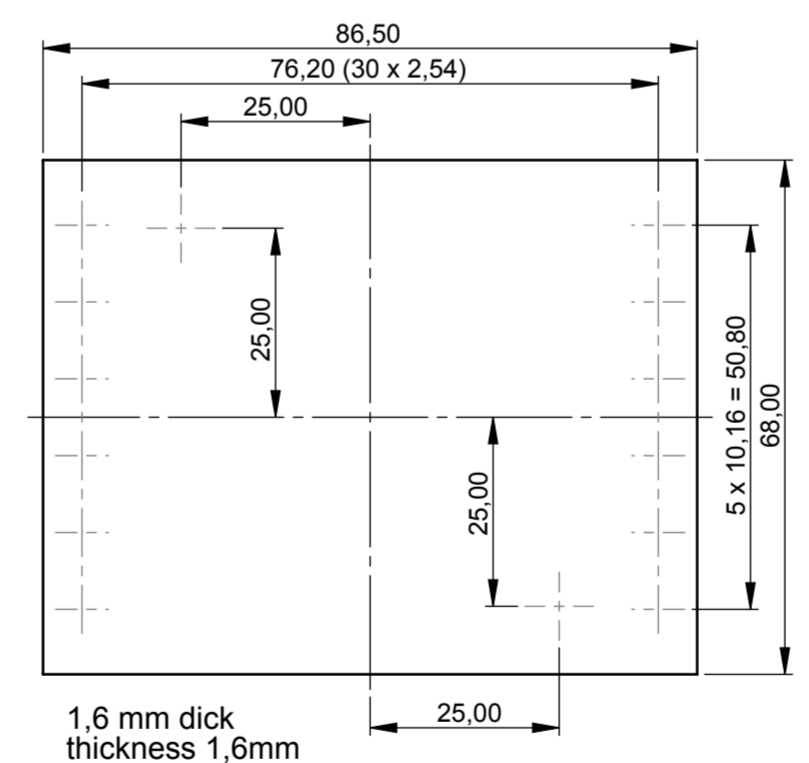
Innenansicht
 Inside view



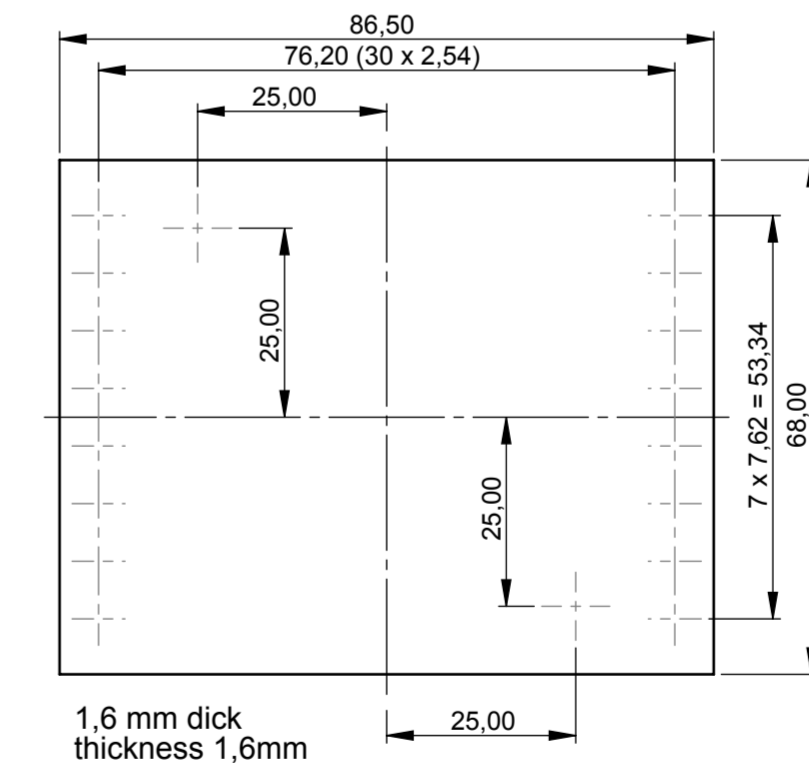
① Platine für Printklemme
 PCB for terminal block
 für Klemmenabdeckung: B 68 00 112
 B 68 00 113
 for terminal guards: B 68 00 112
 B 68 00 113



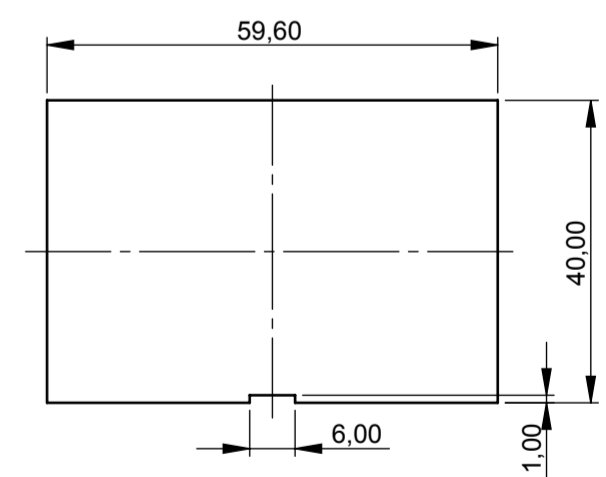
① Platine für Printklemme
 PCB for terminal block
 für Klemmenabdeckung: B 68 00 115
 for terminal guards: B 68 00 115



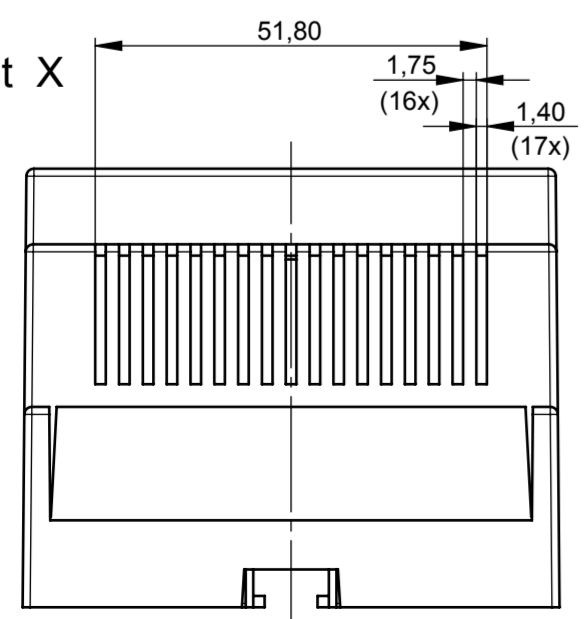
① Platine für Printklemme
 PCB for terminal block
 für Klemmenabdeckung: B 68 00 114
 for terminal guards: B 68 00 114



② Vertikale Platine
 für das Oberteil
 Vertical PCB for top

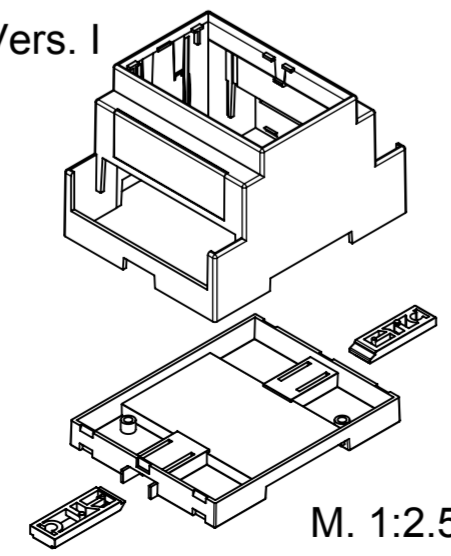


Ansicht X
 View

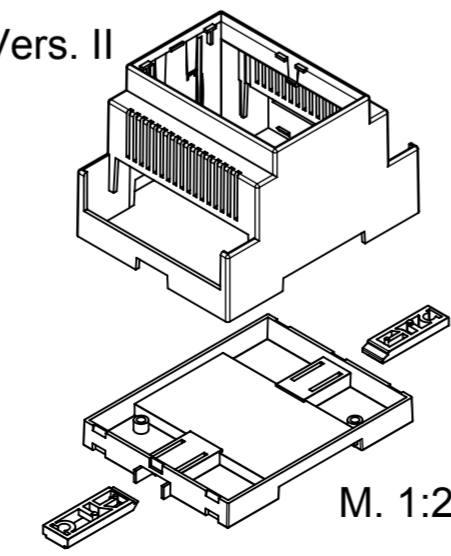


Lüftungsschlitze
 Ventilations slots

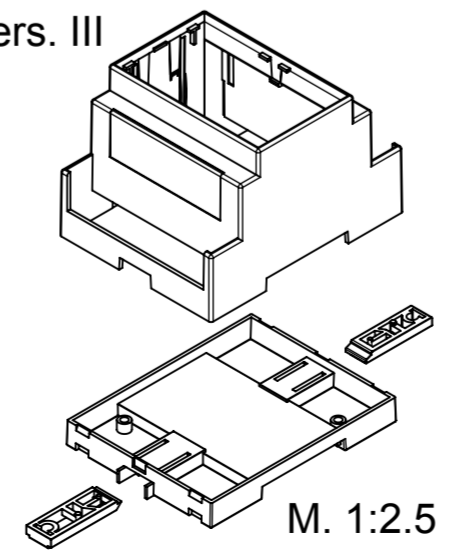
Vers. I



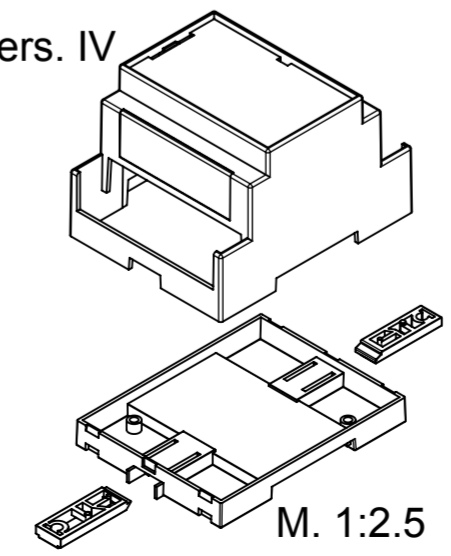
Vers. II



Vers. III



Vers. IV



Informationskopie
 wird nicht aktualisiert
 Copy for Information
 will not be updated

Technische Änderungen vorbehalten. Irrtümer oder Druckfehler begründen keinen Anspruch auf Schadenersatz. Wichtige Einbaumaße bitte direkt mit dem aktuellen Produkt abstimmen. Subject to technical modification without prior notice. Typographical and other errors do not justify any claim for damages. All dimensions should be verified using an actual moulded part. Sous réserve de modifications techniques. Toute erreur ou faute d'impression ne justifie aucune demande d'indemnisation. Nous prions les clients de vérifier les dimensions des composants avec les boîtiers avant le montage.

Erst. am: 02.04.2009
 Erst. von: Hasselb
 Freig. am: 24.01.2018
 Freig. von: D. Hasselbach
 Revision: 02

Toleranzen:
 DIN 16901 T130
 Volumen:
 Zeichnungsart:
 KUNDE

Status:
 SERIENFREIGABE
 Zeichnungsart:
 KUNDE

This document contains proprietary information of OKW Gehäusesysteme GmbH and is tendered subject to the conditions that the information be retained in confidence not be reproduced or copied and not be used or incorporated in any product.
RAILTEC C 4 Module
71 breit, Version I - IV
B670310*
 Für dieses Dokument behalten wir uns alle Urheberrechte vor. Es darf auch auszugsweise weder vervielfältigt noch Dritten in irgendeiner Form zugänglich gemacht werden.

DIN 6 Teil 2

M 1:1
 Dateiname:
 00011360