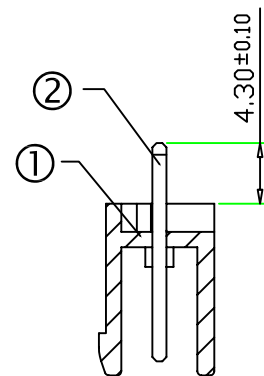
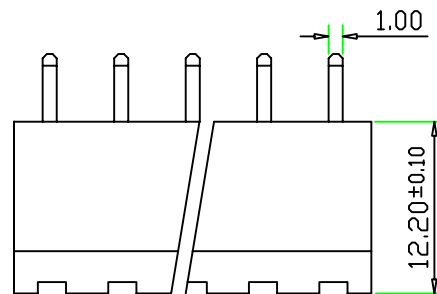
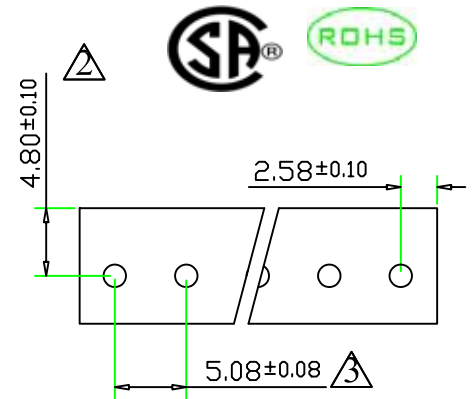
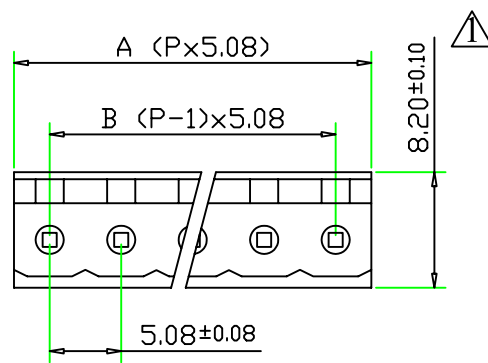




HOWDER

Pluggable type terminal block



Part Number:

HD-515V8-□P

Pole Size 2~24P

SPECIFICATIONS

- ① Housing Material: Polyamide 66(UL94V-0), Green
- ② Terminals: Tin Plated Brass

Rated: 12 Amperes.AC250V

Operation Temperature: -55°C~+115°C

Insulation withstands volt: AC2000V min

Insulation resistance: >1000MΩ or more at DC500V