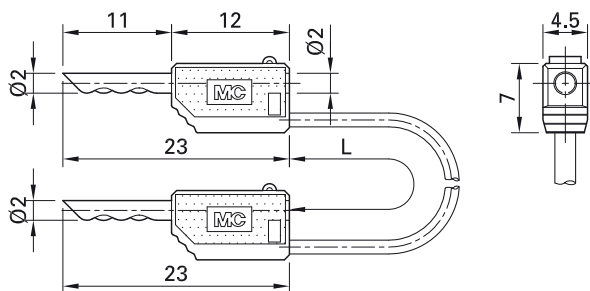
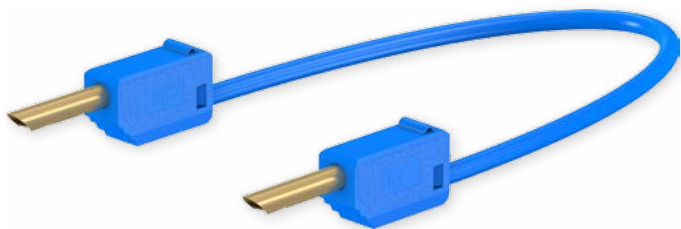


Ø 2 MM SYSTEM

Ø 2 mm Test Leads

Test Lead LK2-F

Highly flexible with stackable Ø 2 mm hollow plugs on both ends.

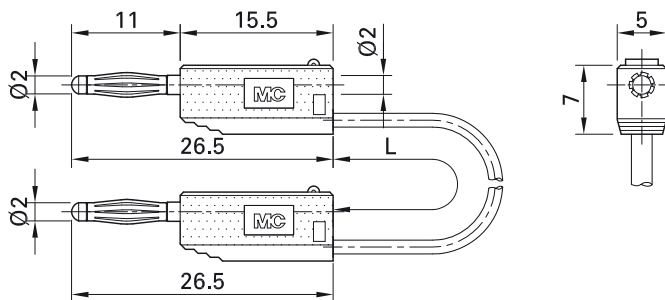
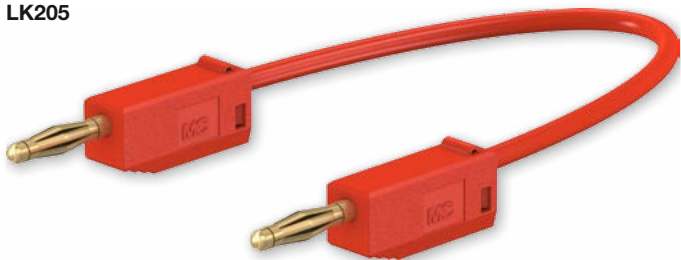


Order No.	Type	Rated voltage/current	Lead		Lead lengths L [cm]	*Colors
28.0033-□*	LK2-F	30 VAC / 10 A 60 VDC / 10 A	PVC 0.5 mm ²	Au	007 (7.5 cm) 015 030 045 060	21 22 23 24 25

Test Lead LK205...

Highly flexible with stackable Ø 2 mm MULTILAM plugs on both ends.

LK205



Order No.	Type	Rated voltage/current	Lead		Lead lengths L [cm]	*Colors
28.0115-□*	LK205-X	30 VAC / 10 A 60 VDC / 10 A	PVC 0.5 mm ²	Ni	007 (7.5 cm) 015 030 045 060	21 22 23 24 25
28.0039-□*	LK205	30 VAC / 10 A 60 VDC / 10 A	PVC 0.5 mm ²	Au	007 (7.5 cm) 015 030 045 060	21 22 23 24 25 27 28 29