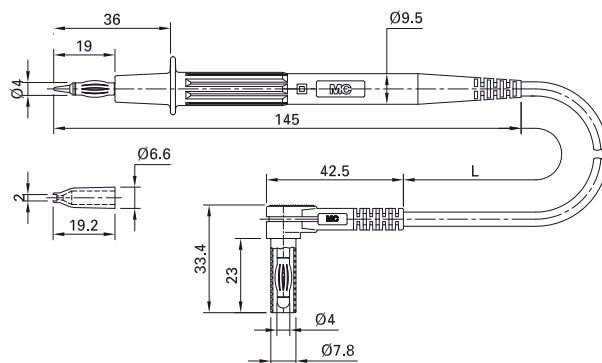


Test Lead XP...-484

Highly flexible, with insulation in PVC or silicone. One end with Ø 4 mm test probe with spring-loaded MULTILAM, the other end

with right angled Ø 4 mm MULTILAM plug with rigid insulating sleeve. Supplied with protective cap.

XP...-484



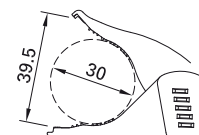
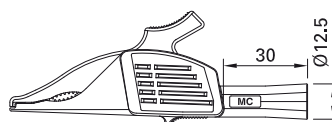
Order No.	Type	Rated voltage/current	Lead		Lead lengths L [cm]	*Colors
66.9008-□*	XPF-484	1000 V, CAT II / 20 A	PVC 1,0 mm ²	Ni CE c UL US	100 150	21 22 23
66.9007-□*	XPS-484	1000 V, CAT II / 20 A	SIL 1,0 mm ²	Ni CE c UL US	100 150 200	21 22 23



Pluggable accessories XDK-1033P, see below

Accessories

XDK-1033P



Dolphin Clip made of brass with all-round insulation. Toothed jaws for wide grip with surface for fine wire.

Note: Longer version especially designed to plug onto the Ø 4 mm probes of test leads XPF-484 and XPS-484, see above.

Order No.	Type	Rated voltage/current		*Colors
66.9521-*	XDK-1033P	1000 V, CAT II / 19 A	Ni CE c UL US	21 22