

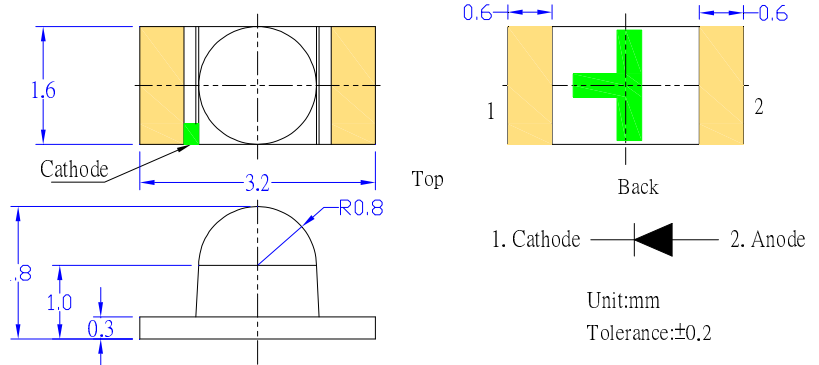
**■Features**

- Single chip
- Super high brightness of surface mount LED
- Compact package outline  
(L x W x T) of 3.2mm x 1.6mm x 1.8mm
- Compatible to IR reflow soldering.

**■Applications**

- Backlighting (switches, keys, etc.)
- Marker lights (e.g. steps, exit ways, etc.)

**■Outline Dimension**



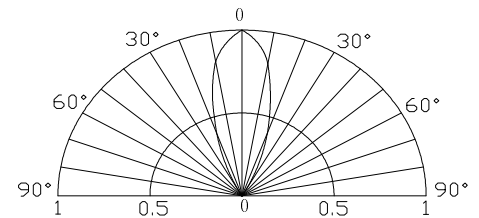
**■Absolute Maximum Rating**

(Ta=25°C)

Item	Symbol	Value		Unit
		B5/G5	G8/Y5//O5/R5	
DC Forward Current	I <sub>F</sub>	30	30	mA
Pulse Forward Current*	I <sub>FP</sub>	100	100	mA
Reverse Voltage	V <sub>R</sub>	5	5	V
Power Dissipation	P <sub>D</sub>	102	72	mW
Operating Temperature	Topr	-40 ~ +85		°C
Storage Temperature	Tstg	-40~ +85		°C
Lead Soldering Temperature	Tsol	260°C/5sec		-







\*Pulse width Max 0.1ms, Duty ratio max 1/10

**■Directivity**



**■Electrical -Optical Characteristics**

(Ta=25°C)

Part Number	Color			V <sub>F</sub> (V)			I <sub>R</sub> (μA)	I <sub>v</sub> (mcd)			λD (nm)			2θ1/2 (deg)
				Min.	Typ.	Max.	Max.	Min.	Typ.	Max.	Min.	Typ.	Max.	Typ.
				I <sub>F</sub> =20mA			V <sub>R</sub> =5V		I <sub>F</sub> =20mA					
OSB5120641E	Blue	B5		2.8	-	3.4	10	650	850	-	460	465	475	35
OSG5120641E	True Green	G5		2.8	-	3.4	10	2000	2500	-	515	520	530	35
OSG8120641E	Yellow Green	G8		1.8	-	2.4	10	100	150	-	565	570	575	35
OSY5120641E	Yellow	Y5		1.8	-	2.4	10	300	500	-	585	590	595	35
OSO5120641E	Orange	O5		1.8	-	2.4	10	300	400	-	600	605	610	35
OSR5120641E	Red	R5		1.8	-	2.4	10	650	850	-	615	620	630	35

\*1 Tolerance of measurements of chromaticity coordinate is ±10%

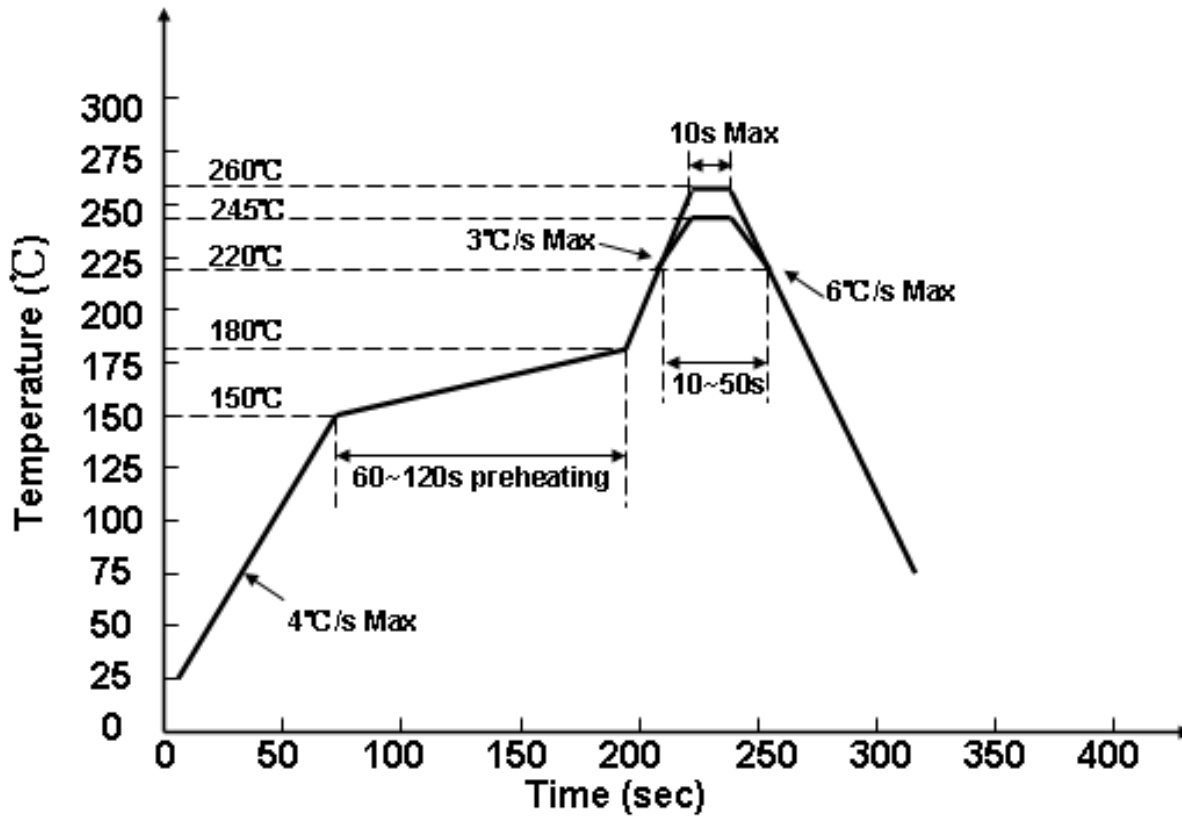
\*2 Tolerance of measurements of dominant wavelength is ±1nm

\*3 Tolerance of measurements of luminous intensity is ±15%

\*4 Tolerance of measurements of forward voltage is ±0.1V



■ For Lead Free Solder



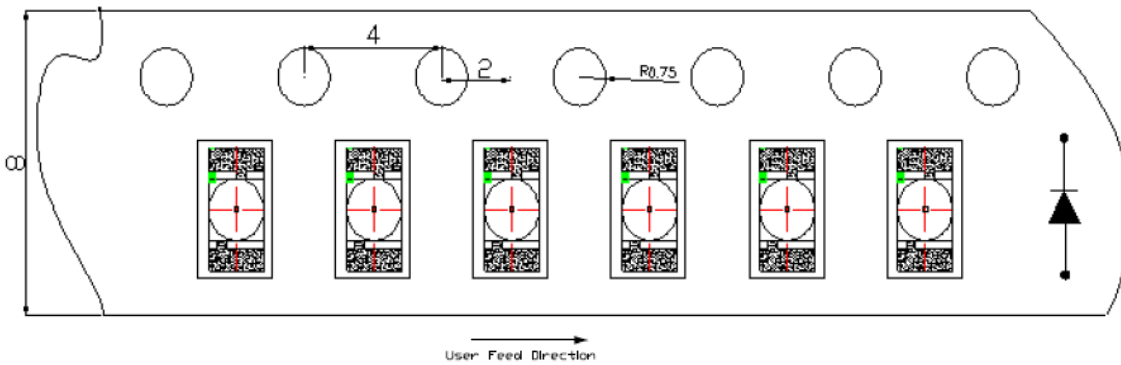
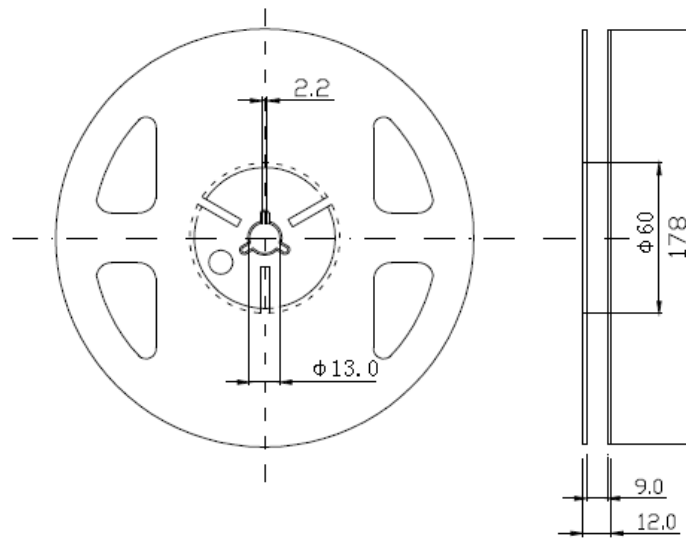
Notes:

We recommend the soldering temperature  $245 \pm 5^{\circ}\text{C}$  ;

The maximum temperature should be limited to  $260^{\circ}\text{C}$ .

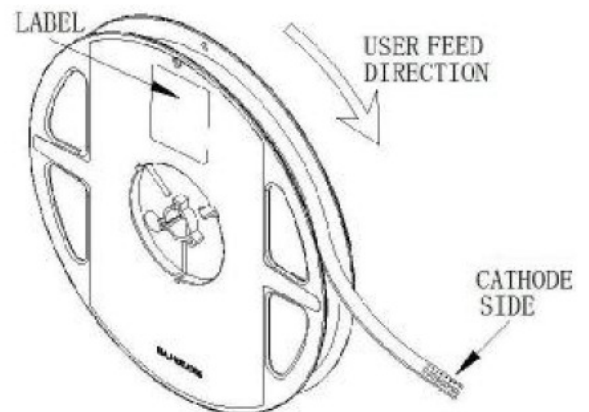
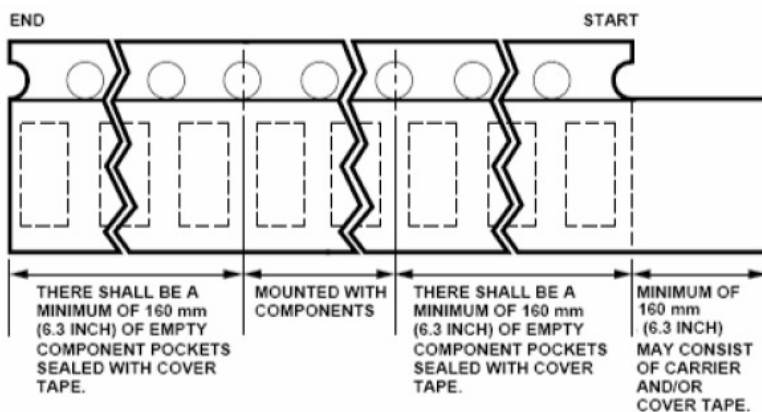
■Packaging

**1. Reel And Tape Dimensions (3000PCS/Reel)**



Notes: All dimensions are in millimeters

**2. Tape leader & Trailer Dimensins And Reel**



### 3. Bag packaging

