

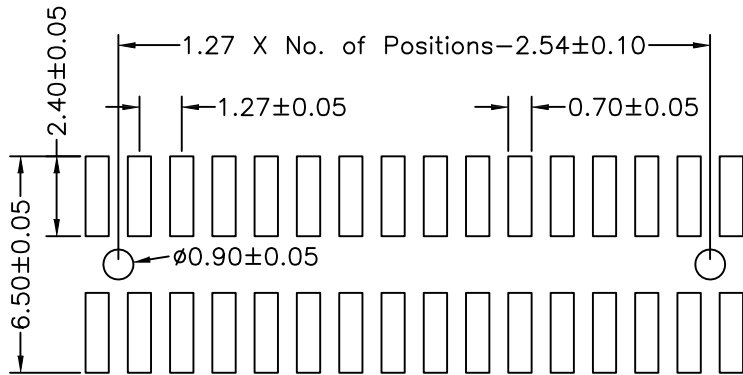
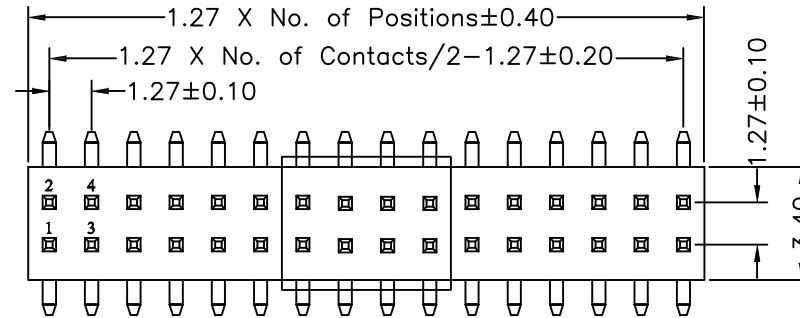
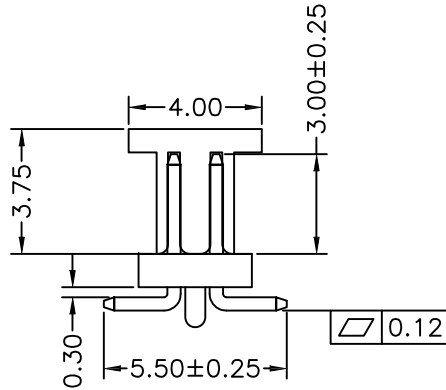
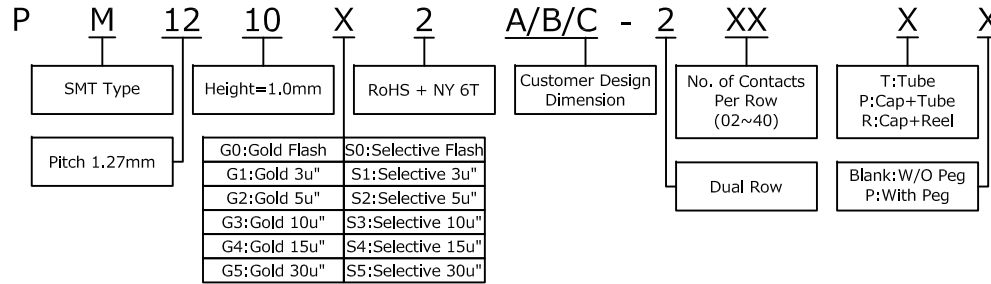
### Specifications

Current Rating: 1A AC,DC  
 Contact Resistance: 20mΩ Max  
 Insulation Resistance: 1000MΩ Min  
 Withstanding Voltage: 500V AC/minute  
 Temperature Range: -40°C ~ +105°C

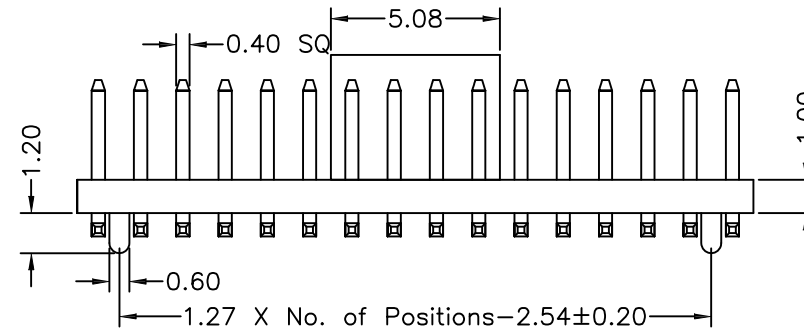
### Material

Insulator: Nylon 6T, UL94V-0  
 Contact: Copper Alloy

### ORDER INFORMATION



Recommended PCB Layout  
 (PCB TOLERANCE ±0.05)



|      |             |      |  |           |                                    |                     |          |            |
|------|-------------|------|--|-----------|------------------------------------|---------------------|----------|------------|
|      |             |      | <b>MCT</b>                                       |           | PART NO.                           | PM1210X2A/B/C-2XXXX | DATA     | 2007/04/02 |
|      |             |      |  |           | DRAWING NO.                        | PM1210X2A/B/C-2XXXX | DRAWN    | Sayid      |
|      |             |      |  |           | CUSTOMER P/N                       |                     | APPROVED | Max        |
| REV. | DESCRIPTION | DATA | TITLE:<br>Pin Header 1.27mm Plastic Height 1.0mm | REV.<br>A | TOLERANCE<br>.X ±0.25<br>.XX ±0.20 | SCALE               | FREE     | UNIT<br>mm |