

**NOTES:**

**ELECTRICAL:**

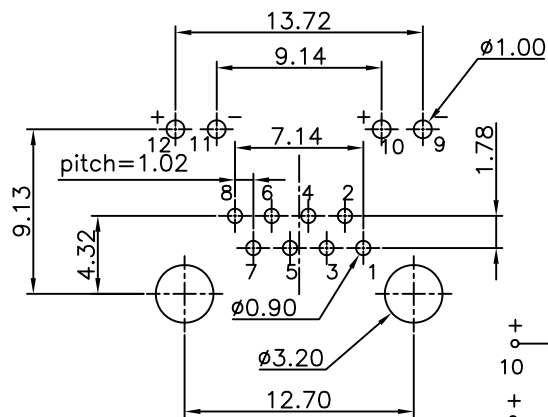
1. VOLTAGE RATING : 125 VAC RMS.
2. CURRENT RATING : 1.5 AMP.
3. CONTACT RESISTANCE : 30 MILLIOHMS MAX.
4. INSULATION RESISTANCE: 1000 MEGOHMS MIN. @ 500 VDC.
5. DIELECTRIC STRENGTH : 1000 VAC RMS 60Hz, 1MIN.
6. LED RATINGS: FORWARD VOLTAGE: 2.2 VOLTS TYPICAL.  
REVERSE VOLTAGE: 5 VOLTS MAXIMUM.
7. OPERATING: 750 CYCLES MIN.

**MECHANICAL:**

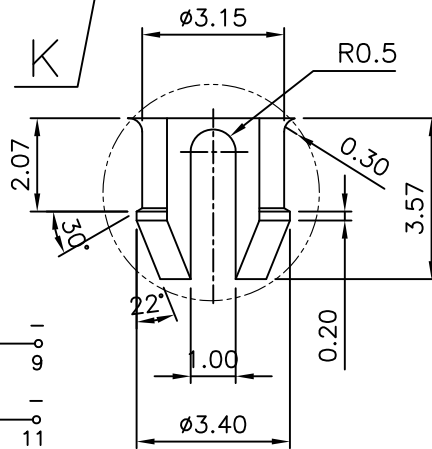
1. HOUSING MATERIAL : HIGH TEMP. UL94V-0 BK.
2. INSERT MATERIAL : GLASS FILLED POLYESTER UL94V-0 BK.
3. BACK PLATE MATERIAL : GLASS FILLED POLYESTER UL94V-0 BK.
4. LED SIZE : 7x3.05x1.85, P=2.54mm.
5. CONTACT MATERIAL : PHOSPHOR BRONZE 0.35mm THICKNESS.
6. PLATING : GOLD PLATING OVER NICKEL.
7. PCB RETENTION PRE-SOLDER : 1 LB MIN.
8. PCB RETENTION POST-SOLDER: 10 LBS MIN.

**ENVIRONMENTAL:**

1. STORAGE : -40°C TO +85°C.
  2. OPERATION: 0°C TO 70°C.
  3. WAVE SOLDERING TEMPERATURE: 255~265°C (5~10 SECONDS)
- MATES WITH MODULAR PLUG CONFORMING TO  
FCC PART 68, SUBPART F.



**PCB LAYOUT**  
COMPONENT SIDE SHOWN



**DETAIL "K"**

211B-11 X 0 X-R

1.No. of Contact  
11:1X1 Port

2.Contact Plating  
A:Gold Flash  
C:5u" Gold Plating  
E:15u" Gold Plating  
G:30u" Gold Plating

3.LED  
A:Y(LED2)+G(LED1)  
B:G(LED2)+Y(LED1)

4.RoHS

				UNLESS OTHERWISE SPECIFIED TOLERANCE			 <a href="http://www.attend.com.tw">www.attend.com.tw</a>	
ANGLES		ANG.			±5°			
LINEAR		0.			±0.3			
		0.0			±0.25			
		0.00			±0.20			
SCALE		AS SHOWN	UNIT:		mm			
DRAWN		Willis	2012/08/03		DRAWN NAME:			
CHECKED		Angel	2012/08/03		RJ45 Plastic Jack With LED			
APPROVED		Ken	2012/08/03		PRODUCT NO.			
					211B-11 X 0 X-R			
REV.	DESCRIPTION	DATE	REV.	DESCRIPTION	DATE	SIZE	REV.	FILE NAME
1			4			A4	1.0	211B-11X0X-R_B_1