



Model: ANO-I1W-M1W-O2W-S-Z

ISSUED DATE: Nov 04,2008

REFERENCE NO.: ANO-I1W-M1W-O2W-S-Z

VER: A

PAGE: 1/2

The undersigned guarantee of the model switches is meets the following specifications.

1. Operation Characteristics

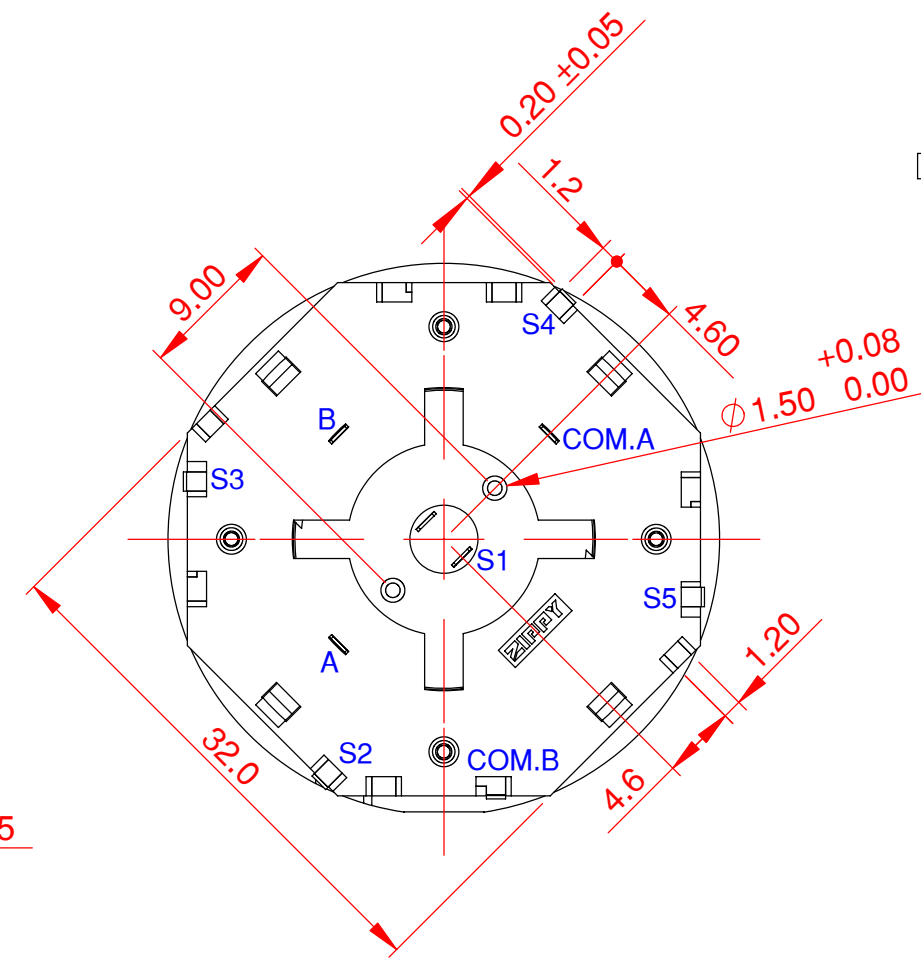
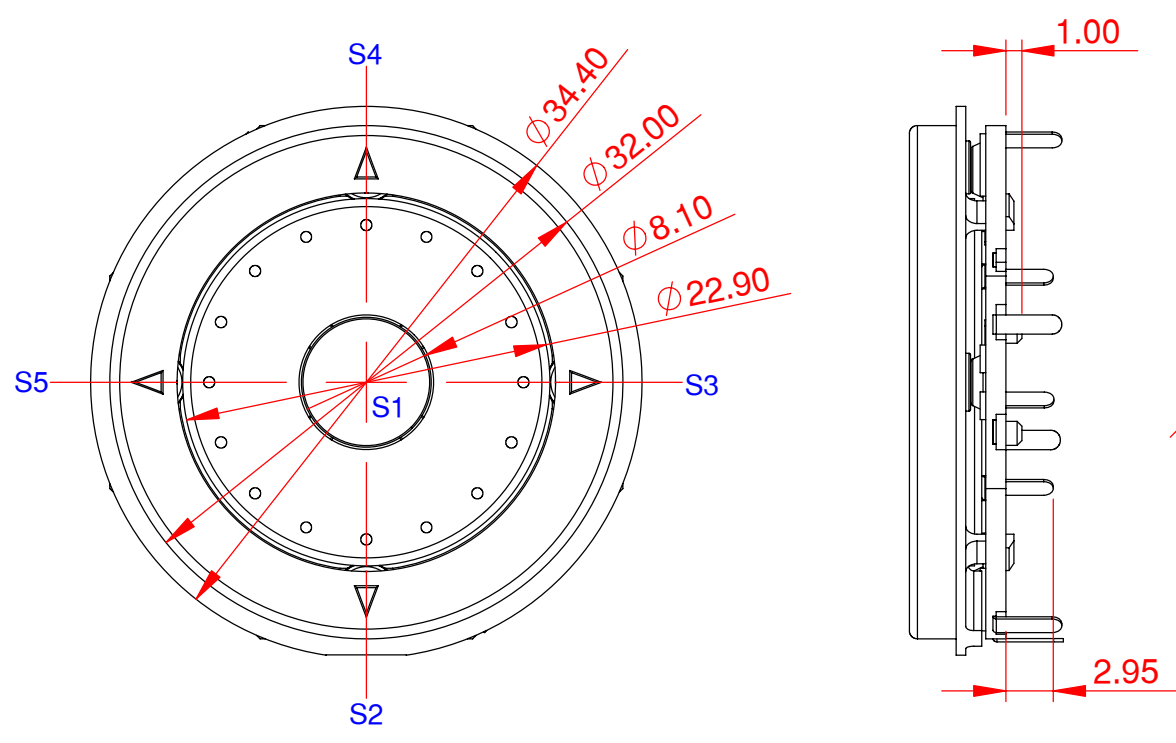
5 way switch	:	
Operating Force (OF)	:	Max. 300 gf
Encode Torque	:	Max. 50 gf-cm

2. Specifications

Initial Contact Resistance	:	Max. 300 m Ω
Insulation Resistance	:	Min. 100 M Ω (at 100 VDC for 1 minute)
Circuit Arrangement	:	As Enclosed Drawing
Rating	:	1mA 10 VDC
Rating Load	:	Resistive Load
Service Life	:	Rotation - Min. 2,000,000 operations (C.W. 1,000,000 & C.C.W 1,000,000) Push - Min. 1,000,000 operations
Operating Frequency	:	Rotation - Max. 30 operations per minute Push - Max. 120 operations per minute

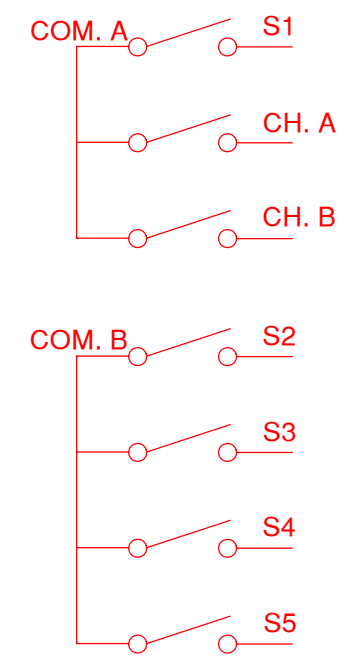
3. Environments

Operating Temperature	:	0 $^{\circ}$ C ~40 $^{\circ}$ C
Storage Temperature	:	-40 $^{\circ}$ C ~ 70 $^{\circ}$ C
Soldering Bath	:	Max. 260 $^{\circ}$ C for 5 seconds
Soldering By Hand	:	Max. 260 $^{\circ}$ C for 5 seconds

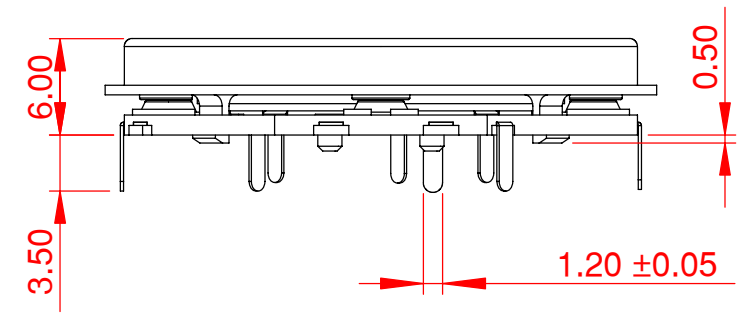
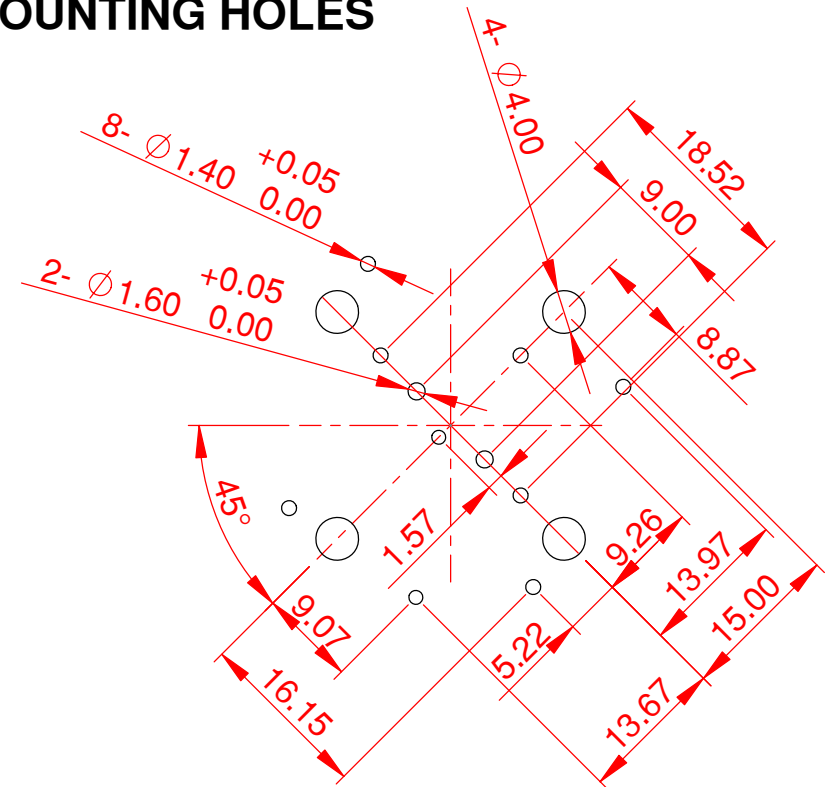


CONTACT CONFIGURATION

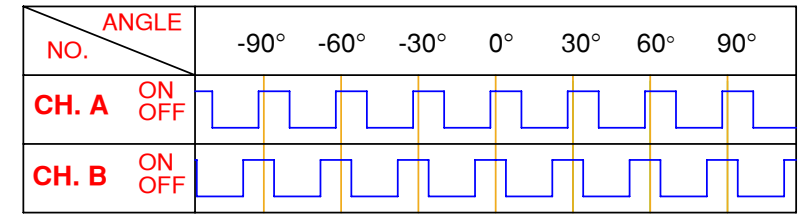
Functional Block Diagram



MOUNTING HOLES



Rotational Output Waveform



CW ← → CCW

Numbers of detent : 24
Pulse/Rotation : 12 pulse/360°

Tolerance ±0.4

△1	DATE	APPROVAL	DESIGN	ENGINEERING CHANGE DESCRIPTION	VIEW		SIZE	A4	UNIT	mm
				ZIPPY TECHNOLOGY CORP.	DATE	Oct 08, 2008	VER.	D1.0	FILE NAME	ANQ
					APPROVAL		CONFIRM		DESIGN	