



## Model: 1001040006(Mini-AN)-Black

ISSUED DATE: Apr 24,2009  
APPROVED NO.: 1001040006.A  
PAGE: 1/2

The undersigned guarantee of the model switches is meets the following specifications.

### 1.Operation Characteristics

Operating Force (OF) : Rotation - Max.60 gf-cm  
Push - Max.300 gf

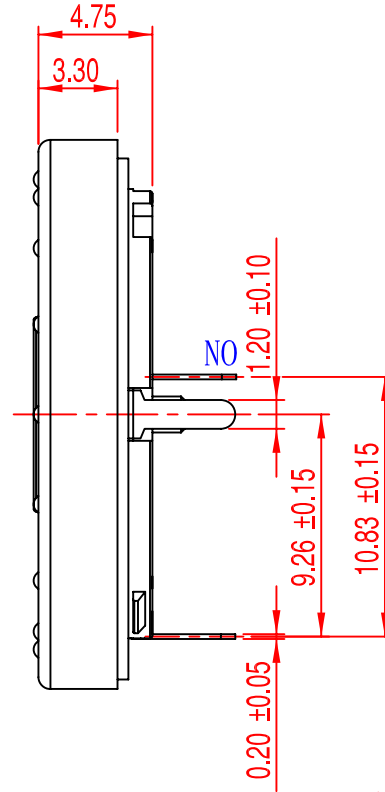
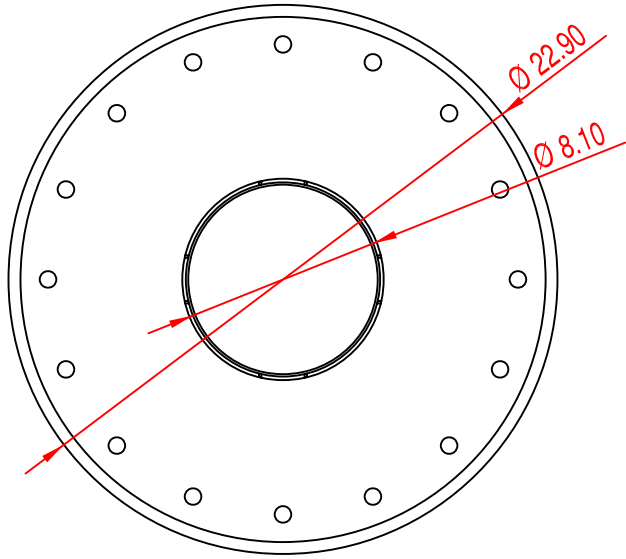
### 2. Specifications

Initial Contact Resistance : Max. 300 mΩ  
Insulation Resistance : Min. 100 MΩ (100 VDC/ minute) between Live-parts and dead metal  
Circuit Arrangement : As Enclosed Drawing  
Rating : 1mA 10 VDC with Resistive Load  
Service Life : Rotation - Min.2,000,000operations(C.W.1,000,000&C.C.W 1,000,000)  
Push - Min. 1,000,000 operations  
Operating Frequency : Rotation - Max. 30 operations per minute  
Push - Max. 120 operations per minute  
Depression - Max.300 gf

### 3. Environments

Operating Temperature : 0°C ~40°C  
Storage Temperature : -40°C ~ 70°C  
Vibration Resistance : 10~55Hz, displacement 0.75mm(p-p)  
Shock Resistance : Destruction: 1,000 m/s<sup>2</sup> {approx. 100G} max.  
Malfunction: 300 m/s<sup>2</sup> {approx. 30G} max.  
Soldering by hand : 260 °C maximum within 5 seconds; 300 °C maximum within 3 seconds

# Dimensions drawing



CONTACT CONFIGURATION

Push



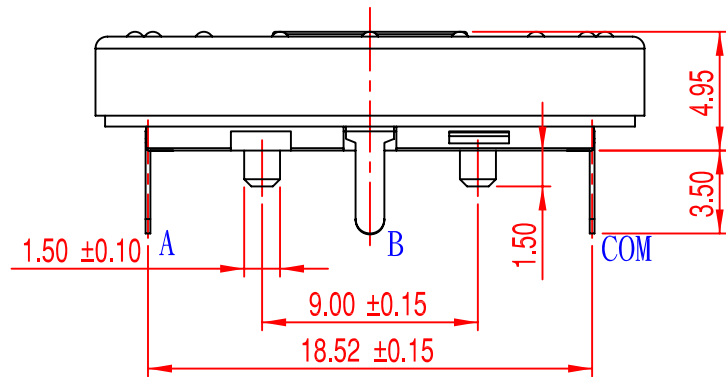
Rotation

ANGLE	-90°	-60°	-30°	0°	30°	60°	90°
NO.							
A-C ON							
A-C OFF							
B-C ON							
B-C OFF							

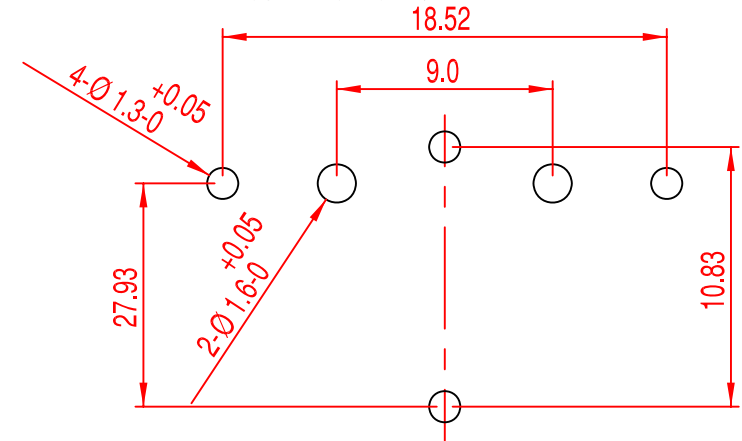
CW ← → CCW

Numbers of detent : 24

Pulse/Rotation : 12 pulse/360°



MOUNTING HOLES



TOLERANCE	
X.X	±0.2
XX.X	±0.4

VIEW		SIZE	A4	UNIT	mm
DATE	Apr 24, 2009	VER.	1.1	FILE NAME	Mini-AN
APPROVAL		CONFIRM		DESIGN	

**ZIPPY** TECHNOLOGY CORP.