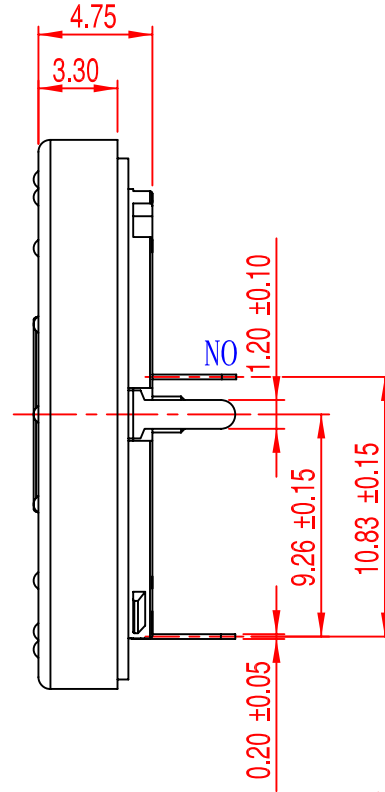
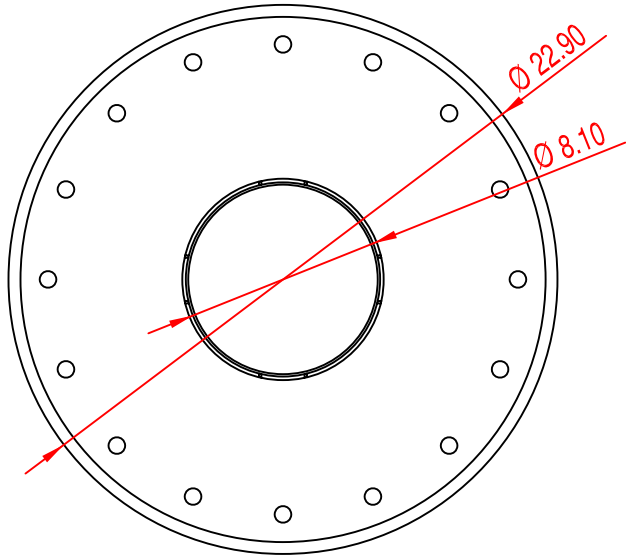


**Model: 1001040005(Mini-AN)-White**ISSUED DATE: Apr 24,2009  
APPROVED NO.: 1001040005.A  
PAGE: 1/2

The undersigned guarantee of the model switches is meets the following specifications.

**1.Operation Characteristics**Operating Force (OF) : Rotation - Max.60 gf-cm  
Push - Max.300 gf**2. Specifications**Initial Contact Resistance : Max. 300 m $\Omega$   
Insulation Resistance : Min. 100 M $\Omega$  (100 VDC/ minute) between Live-parts and dead metal  
Circuit Arrangement : As Enclosed Drawing  
Rating : 1mA 10 VDC with Resistive Load  
Service Life : Rotation - Min.2,000,000operations(C.W.1,000,000&C.C.W 1,000,000)  
Push - Min. 1,000,000 operations  
Operating Frequency : Rotation - Max. 30 operations per minute  
Push - Max. 120 operations per minute  
Depression - Max.300 gf**3. Environments**Operating Temperature : 0 $^{\circ}$ C ~40 $^{\circ}$ C  
Storage Temperature : -40 $^{\circ}$ C ~ 70 $^{\circ}$ C  
Vibration Resistance : 10~55Hz, displacement 0.75mm(p-p)  
Shock Resistance : Destruction: 1,000 m/s<sup>2</sup> {approx. 100G} max.  
Malfunction: 300 m/s<sup>2</sup> {approx. 30G} max.  
Soldering by hand : 260  $^{\circ}$ C maximum within 5 seconds; 300  $^{\circ}$ C maximum within 3 seconds

# Dimensions drawing



CONTACT CONFIGURATION

Push



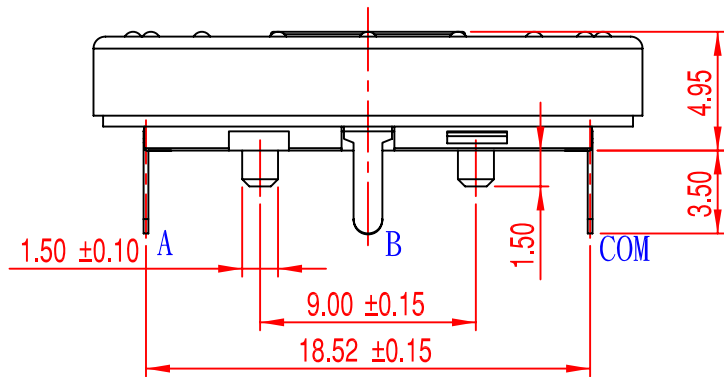
Rotation

ANGLE	-90°	-60°	-30°	0°	30°	60°	90°
NO.							
A-C ON	[Timing diagram showing pulse transitions]						
A-C OFF	[Timing diagram showing pulse transitions]						
B-C ON	[Timing diagram showing pulse transitions]						
B-C OFF	[Timing diagram showing pulse transitions]						

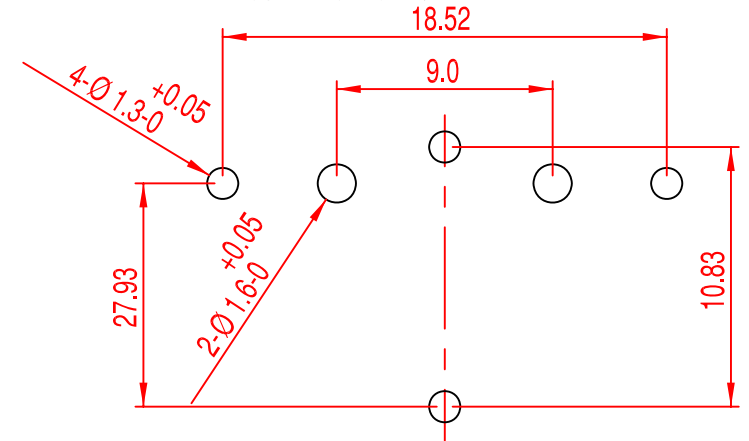
CW ← → CCW

Numbers of detent : 24

Pulse/Rotation : 12 pulse/360°



MOUNTING HOLES



TOLERANCE	
X.X	±0.2
XX.X	±0.4

VIEW		SIZE	A4	UNIT	mm
DATE	Apr 24, 2009	VER.	1.1	FILE NAME	Mini-AN
APPROVAL		CONFIRM		DESIGN	

**ZIPPY** TECHNOLOGY CORP.