

SPRING & BUTTON CONTACTS

For "AAA" - "N"

- Economical and reliable contacts are ideal for molded cases with self contained battery compartments
- Single and dual contact designs available for "AAA" & "N" size batteries
- "Solder tab" design for either wire lead or PC mounting
- Unique spring contacts adjust to variations in battery lengths
- Reliable spring contacts assure low contact resistance and a dependable connection
- Space saving, economical, excellent mechanical construction

MATERIAL:

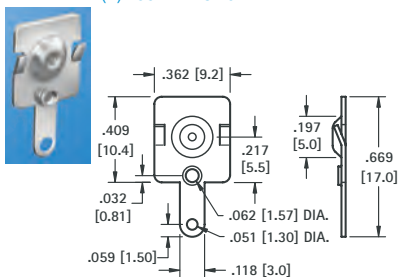
Plate: .020 (.51) thick Steel, Nickel Plate **Spring:** Spring Steel, Nickel Plate



Refer to page 27 for Battery Contact Layout & Mounting Details

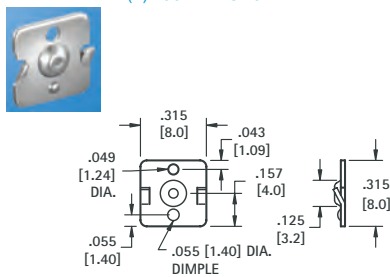
For "AAA" - "N"

(+) POSITIVE BUTTON WITH TAB



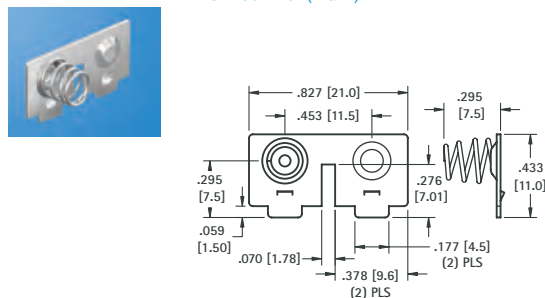
CAT. NO. 5226

(+) POSITIVE BUTTON



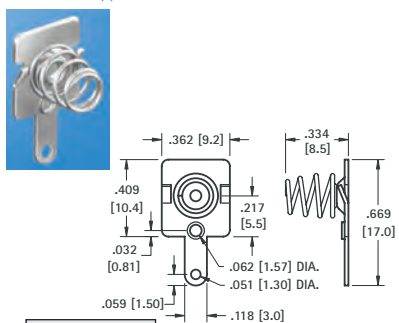
CAT. NO. 5225

DUAL CONTACT (RIGHT)



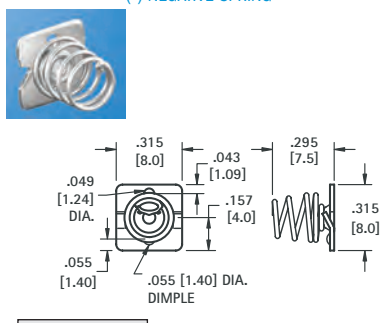
CAT. NO. 5213

(-) NEGATIVE SPRING WITH TAB



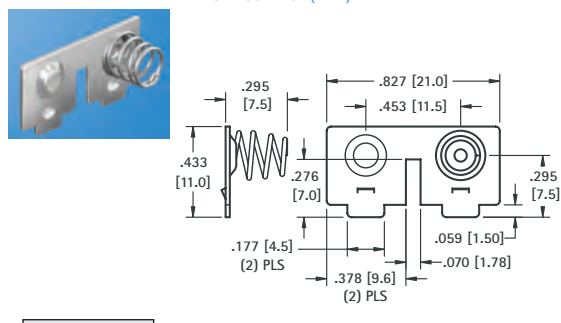
CAT. NO. 5204

(-) NEGATIVE SPRING



CAT. NO. 5203

DUAL CONTACT (LEFT)

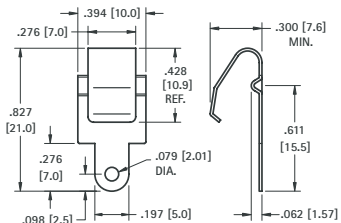


CAT. NO. 5214

LEAF-SPRING CONTACTS

For "A" - "AA" - "9V"

Refer to page 27 for Battery Contact Layout & Mounting Details



CAT. NO. 5209

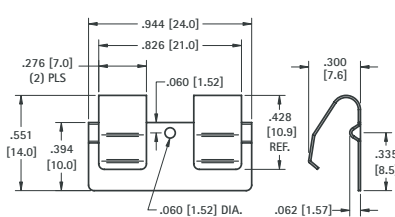
MATERIAL: .012 (.30) thick Phosphor Bronze, Nickel Plate



CAT. NO. 5208

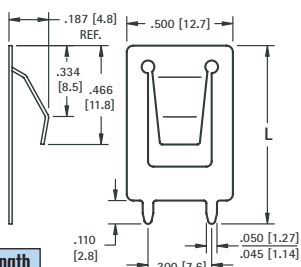
MATERIAL: .012 (.30) thick Phosphor Bronze, Nickel Plate

For "A" - "AA"



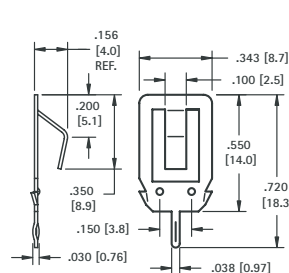
CAT. NO. 5207

UNIVERSAL BATTERY SIZES



CAT. NO.	(L) Length
109-2	.840 (21.3)
109-3	1.000 (25.4)

MATERIAL: .012 (.30) thick Spring Steel, Nickel Plate



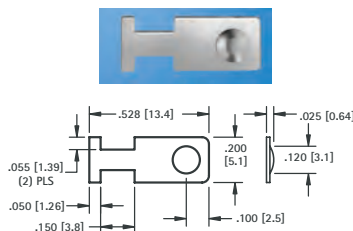
CAT. NO. 108-2

MATERIAL: .012 (.30) thick Spring Steel, Tin Nickel Plate



For "AAA" - "AAAA" - "N" - "12V"

- Designed for remote control applications



CAT. NO. 230-1

MATERIAL: .008 (.20) thick Spring Steel, Tin Nickel Plate