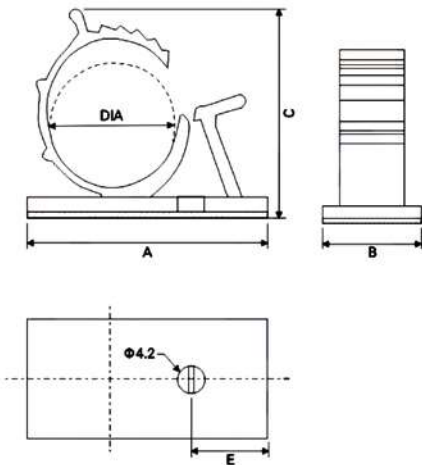


## Adjustable Clip – on adhesive base –

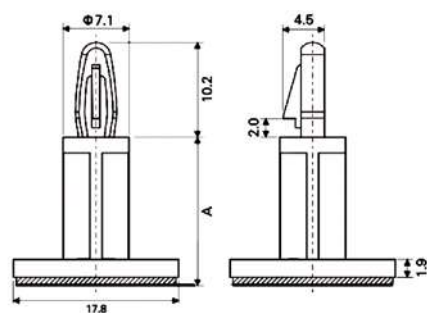


**Adhesive tape** DMS 805  
**Material** Nylon 6/6 V2 / DMS 801  
**Colour** natural  
**Unit** mm  
**Standard Pack** 1.000 pcs

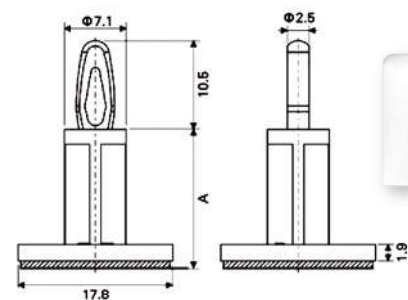
Alternative as V0 (Nylon 6/6 DMS 806) available.  
Please request separately.

Order No.	Adhesive size	"A"	"B"	"C"	Clip width	"E"	"Ø"
8GB06V60182	25.4*19.0*0.8	25.4	19.1	22.0	10.2	9.0	7.0 ~ 10.3
8GB06V60183	31.5*19.0*0.8	31.5		27.7		10.0	11.9 ~ 14.3
8GB06V60184	38.1*19.0*0.8	38.1	25.4	32.8	12.7	12.0	14.7 ~ 19.1
8GB06V60185	50.5*25.0*0.8	50.5		44.5		16.0	22.2 ~ 25.4

## Circuit Board Support on Base



1



2



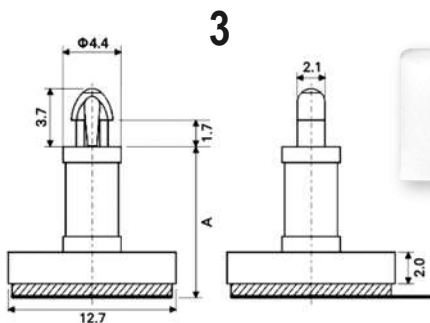
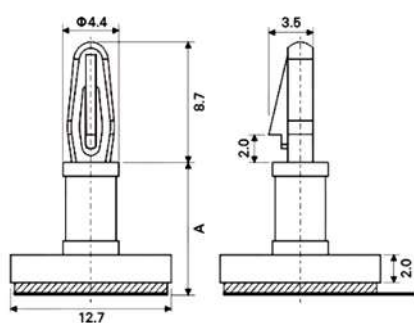
**Hole-Ø** 4.0 ± 0.05 mm  
**Panel Thickness** 1.6 mm

**Hole-Ø** 4.0 ± 0.05 mm  
**Panel Thickness** 1.6 mm

Order No. Type 1	Order No. Type 2	"A" ± 0.4	Adhesive size
8GB07V40992	8GB07V41001	4.8	17.0x17.0x0.8
8GB07V40993	8GB07V41002	6.4	
8GB07V40994	8GB07V41003	9.5	
8GB07V40995	8GB07V41004	12.7	
8GB07V40996	8GB07V41005	15.9	
8GB07V40997	8GB07V41006	19.1	
8GB07V40998	8GB07V41007	22.2	
8GB07V40999	8GB07V41008	25.4	
8GB07V41000	8GB07V41009	28.6	

## Circuit Board Support on Base

- + Adhesive tape DMS 807
- + Material Nylon 6/6 V2 / DMS 801
- + Colour natural
- + Unit mm
- + Standard Pack 1.000 pcs



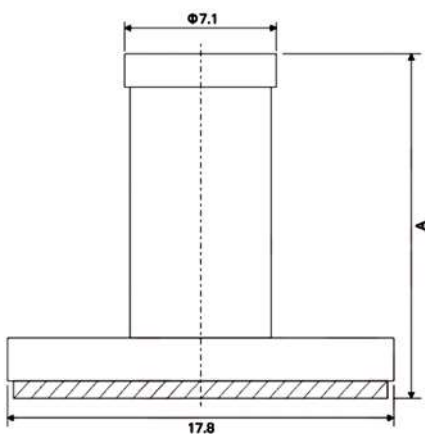
Hole- $\emptyset$   
3.18  $\pm$  0.05 mm  
Panel Thickness  
1.57 mm

Hole- $\emptyset$   
2.54  $\pm$  0.05 mm  
Panel Thickness  
1.63 mm

Order No. Type 3	Order No. Type 4	"A" $\pm$ 0.4	Adhesive size
8GB07V41018	8GB07V41024	4.8	12.7x12.7x0.8
8GB07V41019	8GB07V41025	6.4	
8GB07V41020	8GB07V41026	9.5	
8GB07V41021	8GB07V41027	11.1	
8GB07V41022	8GB07V41028	12.7	
8GB07V41023	8GB07V41029	15.9	

## Push Spacer – on adhesive base –

- + Adhesive tape DMS 807
- + Material Nylon 6/6 V2 / DMS 801
- + Colour natural
- + Unit mm
- + Standard Pack 1.000 pcs



Order No.	"A"	Adhesive size
8GB08V41254	6.0	17.0x17.0x0.8
8GB08V41255	8.0	
8GB08V41256	10.0	
8GB08V41257	12.0	
8GB08V41258	14.0	
8GB08V41259	16.0	