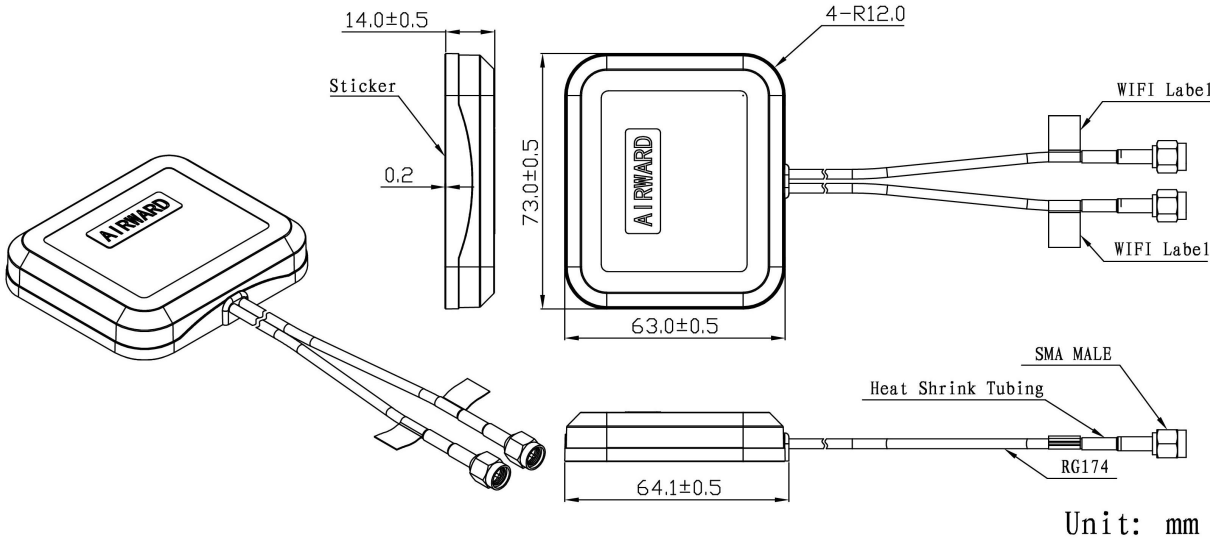


# WIFI MIMO Combination Antenna JCW010M



## DIMENSIONS



## SPECIFICATIONS

Item	Specifications	
WIFI Antenna*2	Frequency Range	2400~2500MHz/4900~5825MHz
	V.S.W.R (min)	<2.0
	Polarization	Linear
	Gain	3dBi
	Impedance	50Ω
Mechanical	Cable	RG174
	Connector	SMA or others
	Radome Material	ABS
	Mounting Method	Adhesive/Magnet
Environmental	Operating Temperature	-40°C~+85°C
	Relative Humidity	Up to 95%
	Ingress Protection	IP66
	Vibration	10 to 55Hz with 1.5mm amplitude 2hours
	Environmentally Friendly	ROHS Compliant