



[Home \(/Default.aspx\)](#)

[Products](#) ▾

[News](#) ▾



[All Products \(ecproductlist.aspx\)](#) > [Snap Action  
Microswitches\(Micro Switches\)](#)  
([ecproductlist.aspx?pcs\\_rfnbr=7](#)) > [DF Series](#)



## DF Series

### SPECIFICATIONS

**Operating frequency(mechanical):**

120 Operation / min

**Operating frequency(electrical):**

10~30 Operation / min

**Contact resistance:**

100m  $\Omega$ (max)

**Insulation resistance(at 500 VDC)**

100M  $\Omega$ (Min)

**Service life(mechanical)**

Min. 1000000 Operations

## Service life(electrical)

1A/3A-Min.10,000 Operations



## RATING

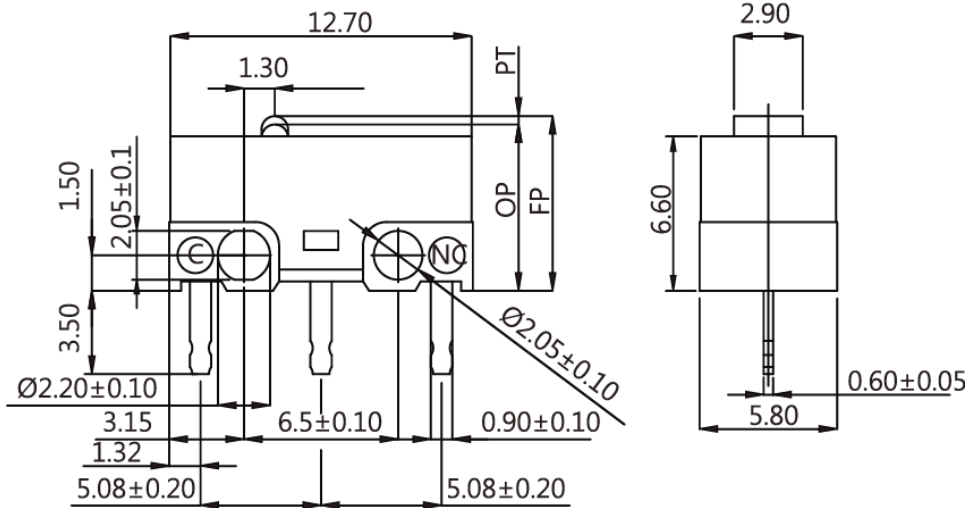
0.1A/1A/3A 125VAC ; 3A 5VDC/12VDC

## APPLICATION

1. Computer mouse
2. Joysticks
3. Charger unit for mobile phone
4. Detection of key position for automobiles
5. Small home appliances
6. Central heating control
7. Electronic Door Locks
8. Smart Meter

## DIMENSIONS

Unless otherwise specified, a tolerance of  $\pm 0.4\text{mm}$  applies to all dimensions.



## CONTACT CONFIGURATION

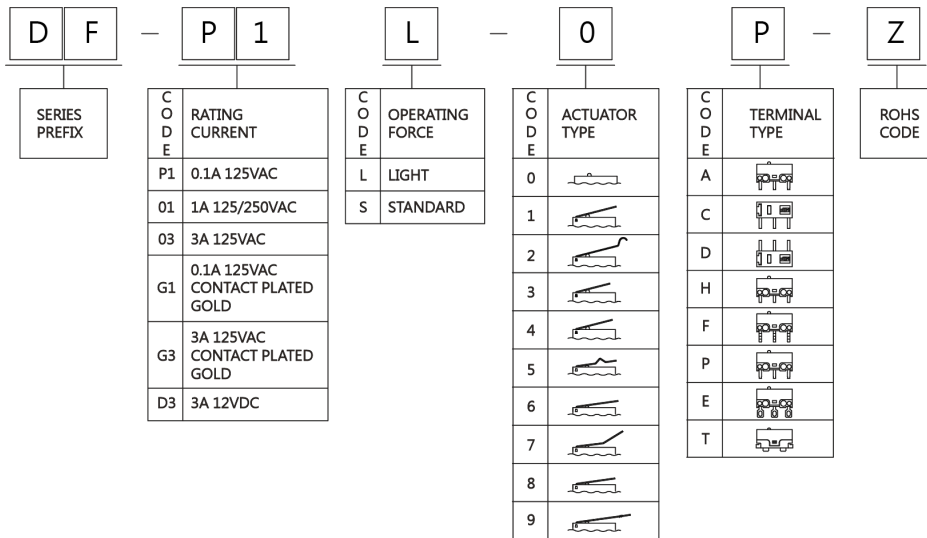


# OPERATING FORCE

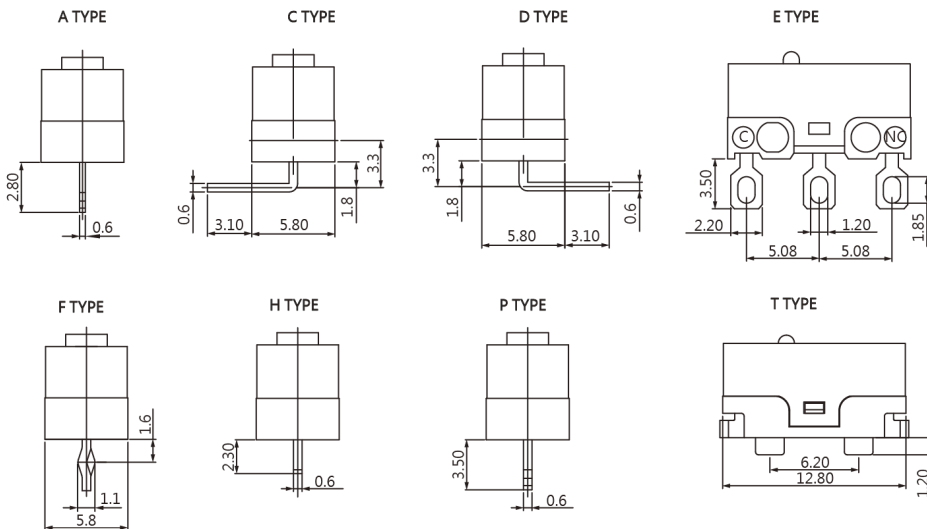
| MODEL | Rating | L | S |
|-------|--------|---|---|
| DF    | 0.1A   | * | * |
|       | 1A     | * | * |
|       | 3A     | * | * |

NOTE : The Symbol " \* " to represent the result is accepted

# ORDER INFORMATION



# TERMINAL TYPES



# OPERATING CHARACTERISTICS

| SWITCH TYPE     | PART SUFFIX | OF Max. (gf) |     | OP (mm)   | PT Max. (mm) | OT Min. (mm) | MD Max. (mm) | FP Max. (mm) | RF Min. (gf) |
|-----------------|-------------|--------------|-----|-----------|--------------|--------------|--------------|--------------|--------------|
| DF- □□□ -0 □ -Z |             | L            | 80  | 7.0±0.2   | 0.62         | 0.2          | 0.12         | 7.35         | 21           |
|                 |             | S            | 150 |           |              |              |              |              | 35           |
| DF- □□□ -1 □ -Z |             | L            | 30  | 7.9±0.8   | 3.4          | 0.6          | 0.8          | 10.1         | 5            |
|                 |             | S            | 56  |           |              |              |              |              | 8            |
| DF- □□□ -2 □ -Z |             | L            | 25  | 9.8±0.9   | 3.5          | 0.7          | 0.92         | 14.2         | 5            |
|                 |             | S            | 43  |           |              |              |              |              | 7            |
| DF- □□□ -3 □ -Z |             | L            | 35  | 7.9±0.7   | 2.1          | 0.3          | 0.29         | 9.3          | 5            |
|                 |             | S            | 57  |           |              |              |              |              | 12           |
| DF- □□□ -4 □ -Z |             | L            | 39  | 8.0±0.8   | 2.5          | 0.5          | 0.7          | 10.8         | 6            |
|                 |             | S            | 69  |           |              |              |              |              | 10           |
| DF- □□□ -5 □ -Z |             | L            | 50  | 9.0±0.6   | 1.64         | 0.49         | 0.3          | 10.15        | 5            |
|                 |             | S            | 70  |           |              |              |              |              | 11           |
| DF- □□□ -6 □ -Z |             | L            | 30  | 8.33±0.9  | 3.5          | 0.6          | 0.8          | 10.6         | 3            |
|                 |             | S            | 50  |           |              |              |              |              | 8            |
| DF- □□□ -7 □ -Z |             | L            | 27  | 10.75±0.8 | 3.5          | 0.3          | 0.8          | 13.5         | 3            |
|                 |             | S            | 48  |           |              |              |              |              | 8            |
| DF- □□□ -8 □ -Z |             | L            | 33  | 8.17±0.8  | 2.8          | 0.6          | 0.7          | 11.2         | 5            |
|                 |             | S            | 54  |           |              |              |              |              | 9            |
| DF- □□□ -9 □ -Z |             | L            | 13  | 9.75±1.9  | 6.9          | 0.55         | 1.9          | 16.8         | 2            |
|                 |             | S            | 21  | 9.5±1.9   |              |              |              |              | 3            |

# INQUIRY

Please feel free to contact us.



(contactus.aspx)

## Product Search

Type:

Model:



## Switches

[Water Proof Switches >](#)

(ecproductlist.aspx?pcs\_rfnbr=22)

[Basic Micro Switches >](#)

(ecproductlist.aspx?pcs\_rfnbr=7)

[Rotary Switches >](#)

(ecproductlist.aspx?pcs\_rfnbr=27)

[Push Switches >](#)

(ecproductlist.aspx?pcs\_rfnbr=10)

[Low Torque Switches >](#)

(ecproductlist.aspx?pcs\_rfnbr=13)

[Side Mini Switches >](#)

(ecproductlist.aspx?pcs\_rfnbr=20)

[Slide Switches >](#)

(ecproductlist.aspx?pcs\_rfnbr=24)

[Rocker Switches >](#)

(ecproductlist.aspx?pcs\_rfnbr=11)

[Hook Switches >](#)

(ecproductlist.aspx?pcs\_rfnbr=8)

[Detect Switches >](#)

(ecproductlist.aspx?pcs\_rfnbr=19)

[Tact Switches >](#)

(ecproductlist.aspx?pcs\_rfnbr=12)

[Encoder Switches >](#)

(ecproductlist.aspx?pcs\_rfnbr=23)

snap action microswitches(snap action microswitch),Sealed Switches,(Sealed Switch),Basic Switches(Basic Switch),Snap-acting switches(Snap-acting switch),WaterProof micro switches(WaterProof micro switch),Sealed Basic Switches(Sealed Basic Switch),microswitches(microswitch),micro switches(micro switch),Interrupiores básicos,Interrupiores de acción básicos ,Micro-interruptor a prueba de agua,Schnappschalter,zip switch,zip microswitch

## About us

[Company Overview \(aboutus.aspx\)](#)  
[Power Division \(aboutpower.aspx\)](#)  
[Switch Division \(aboutswitch.aspx\)](#)  
[Leadership \(managementteam.aspx\)](#)  
[Corporate Milestones \(history.aspx\)](#)  
[Organizational Chart \(organization.aspx\)](#)  
[Corporate Culture \(culture.aspx\)](#)  
[Management Philosophy \(strategy.aspx\)](#)  
[ZIPPY Advantages \(superiority.aspx\)](#)  
[Future Prospects \(future.aspx\)](#)  
[Zippy Worldwide \(global.aspx\)](#)

## Products

[Power Products \(pwproductlist.aspx\)](#)  
[Power Online Support \(download.aspx\)](#)  
[Switches \(ecproductlist.aspx\)](#)

## News

[News \(newslists.aspx\)](#)  
[Events \(eventslists.aspx\)](#)

## Investor Relation

[Financial \(financial.aspx\)](#)  
[Annual Reports \(annual.aspx\)](#)  
[Control \(control.aspx\)](#)  
[Shareholder \(Shareholder.aspx\)](#)

## Human Resource

[HR Brief \(human\\_resource.aspx\)](#)  
[Compensation and Welfare \(taiwan.aspx\)](#)  
[Training and Development \(training.aspx\)](#)  
[How to Apply \(apply.aspx\)](#)  
[Recruiting Flow \(process.aspx\)](#)  
[Where is Zippy \(howto.aspx\)](#)

## Language

[繁體中文 \(../zh-tw/Default.aspx\)](#)  
[English \(../Default.aspx\)](#)