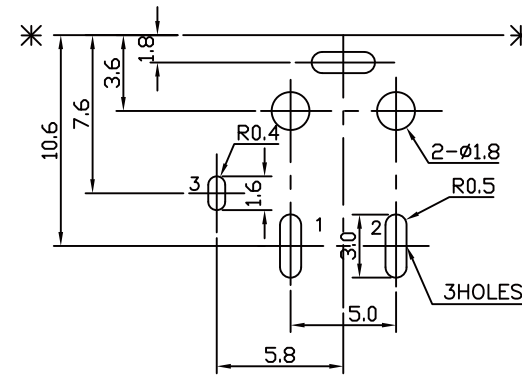
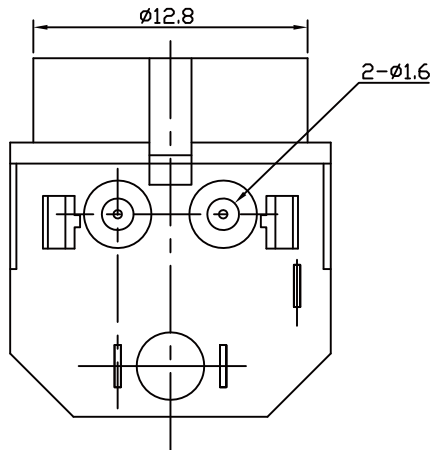


SCHEMATIC DIAGRAM



T:1.6 Dimensions of PC board holes  
Tolerance : ±0.1(Printed-Top view)



5	TERMINAL	1	C5191	t=0.3	MB:Cu Sn	PLATED
4	GROUND CONTACT	1	C2680	t=0.4	MB:Cu Cu/Sn	PLATED
3	TERMINAL	2	C2680	t=0.3	MB:Cu Sn	PLATED
2	COVER	1	PBT 4815		UL-94V0(BLACK)	
1	HOUSING	1	PBT 4815		UL-94V0(BLACK)	
LTR	PART NAME	QTY	MATERIAL(THICK,COLOR)		REMARK	

UNLESS OTHERWISE SPECIFIED, TOLERANCE ON DECIMAL: ±0.3

**MORETHANALL**  
PCB CONNECTORS  
Cable ASSEMBLIES

煜倫股份有限公司

www.morethanall.com

RoHS Compliant

DRAWING BY CY

CHECKED BY GENIUS

UNIT/mm SCALE 1:1

DATE

SIZE A4

TOLERANCES ARE

X, ±  
.X ±  
.XX ±  
.XXX ±  
ANG ±

PJECTION



ORDER INFORMATION

MDP-JRS-03-LF

SERIES | | | LEADFREE  
| | | 03WAY  
| | | PLASTIC BODY  
| | | DIP 90°  
| | | JACK

DESCRIPTION: